



TABLE OF CONTENTS

Refer to Section 4.14 for standard Spandrel Beam Details

TABLE OF CONTENTS..... **1**

A: SIDEWALL STRUCTURAL CONDITIONS..... **3**

 LA0010 – Non-Parapet, Purlin Bldg., Eave Strut on top of Masonry 3

 LA0020 – Non-Parapet, Purlin Bldg., Eave Strut inside of Masonry 4

 LA0030 – Non-Parapet, Joist Bldg., Eave Strut on top of Masonry 5

 LA0040 – Non-Parapet, Joist Bldg., Eave Strut on top of Masonry 6

 LA0050 – Parapet, Purlin Bldg..... 7

 LA0060 – Parapet, Joist Bldg..... 8

B: ENDWALL STRUCTURAL CONDITIONS..... **9**

 LB0010 – Non-Parapet, Purlin Bldg. 9

 LB0020PE – Non-Parapet, Joist Bldg. 10

 LB0030 – Parapet, Purlin Bldg..... 11

 LB0040 – Parapet, Joist Bldg..... 12

C: SIDEWALL SHEETING CONDITIONS..... **13**

 LC1010 – Non-Parapet, Joist Bldg., CFR by NBS, Eave Strut on top of Masonry
..... 13

 LC1020 – Non-Parapet, Purlin Bldg., CFR by NBS, Eave Strut inside of Masonry
..... 14

 LC1030 – Non-Parapet, Purlin Bldg., Roof not by NBS, Eave Strut on top of
Masonry 15

 LC1040 – Non-Parapet, Purlin Bldg., Roof not by NBS, Eave Strut on top of
Masonry 16

 LC1050 – Parapet, Purlin Bldg., CFR by NBS 17

 LC1060 – Parapet, Purlin Bldg., Roof not by NBS..... 18

 LC1070 – Parapet, Joist Bldg., CFR by NBS..... 19

 LC1080 – Parapet, Joist Bldg., Roof not by NBS..... 20

D: ENDWALL SHEETING CONDITIONS..... **21**

 LD1010 – Non-Parapet, Purlin Bldg., CFR by NBS 21

 LD1020 – Non-Parapet, Joist Bldg., CFR by NBS 22

 LD1030 – Non-Parapet, Purlin Bldg., Roof not by NBS 23

 LD1040PE – Non-Parapet, Joist Bldg., Roof not by NBS 24

 LD1050 – Parapet, Purlin Bldg., CFR by NBS 25

 LD1060 – Parapet, Joist Bldg., CFR by NBS 26

 LD1070 – Parapet, Purlin Bldg., Roof not by NBS..... 27



LD1080 – Parapet, Joist Bldg., Roof not by NBS..... 28

E. SPANDREL BEAM CONNECTION DETAILS 29

LE0010 – Spandrel Beam to Column Connection 29

LE0020 – Spandrel Beam to Wall Connection (With Expansion Anchors) 30

LE0030 – Spandrel Beam to Wall Connection (Welded to Embedded Plate)..... 31

LE0040 – Spandrel Joist to Column Connection 32

LE0050 – Spandrel Joist to Wall Connection (Welded to Embedded Plate)..... 33

F: SPANDREL GIRT ATTACHMENT DETAILS 34

LF0010 – Partial Height Masonry (Hot-Rolled Cee Girt on top of Wall) 34

G: SHEAR WALL DETAILS 35

LG0010 – Partial Height Masonry (Cold-Formed Cee Girt on top of Wall) 35

LG0020 – Partial Height Masonry (Cold-Formed Zee Girt on top of Wall)..... 36

Refer to Section 4.14 for standard Spandrel Beam Details

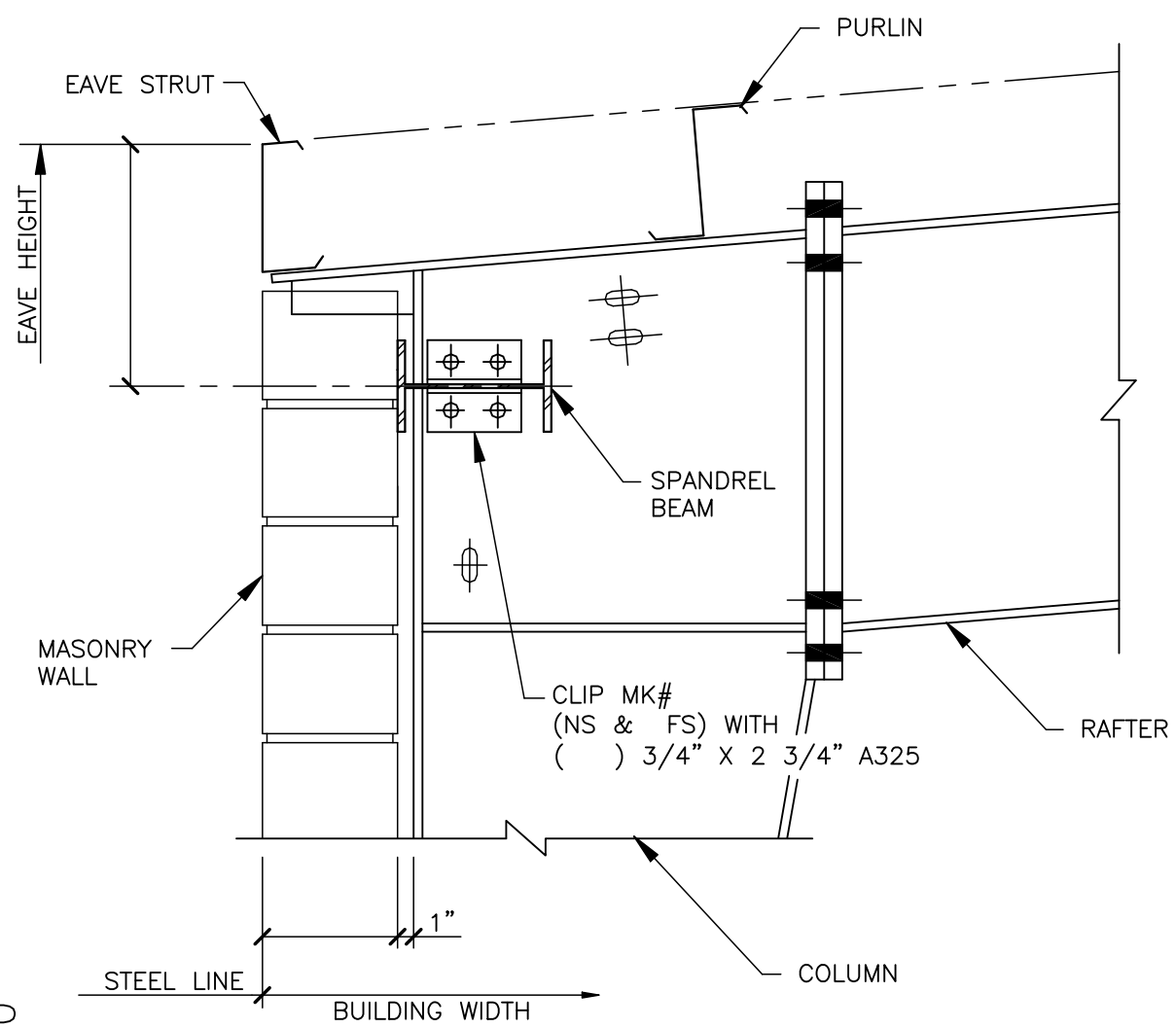


PRODUCT AND ENGINEERING MANUAL

4.10 NON-LOAD BEARING MASONRY WALL

A: SIDEWALL STRUCTURAL CONDITIONS

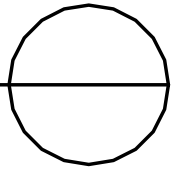
LA0010 – NON-PARAPET, PURLIN BLDG., EAVE STRUT ON TOP OF MASONRY



LA0010

NON-LOAD BEARING FULL HGT. MASONRY

NON-PARAPET: PURLIN ROOF, EAVE STRUT ON TOP OF MASONRY



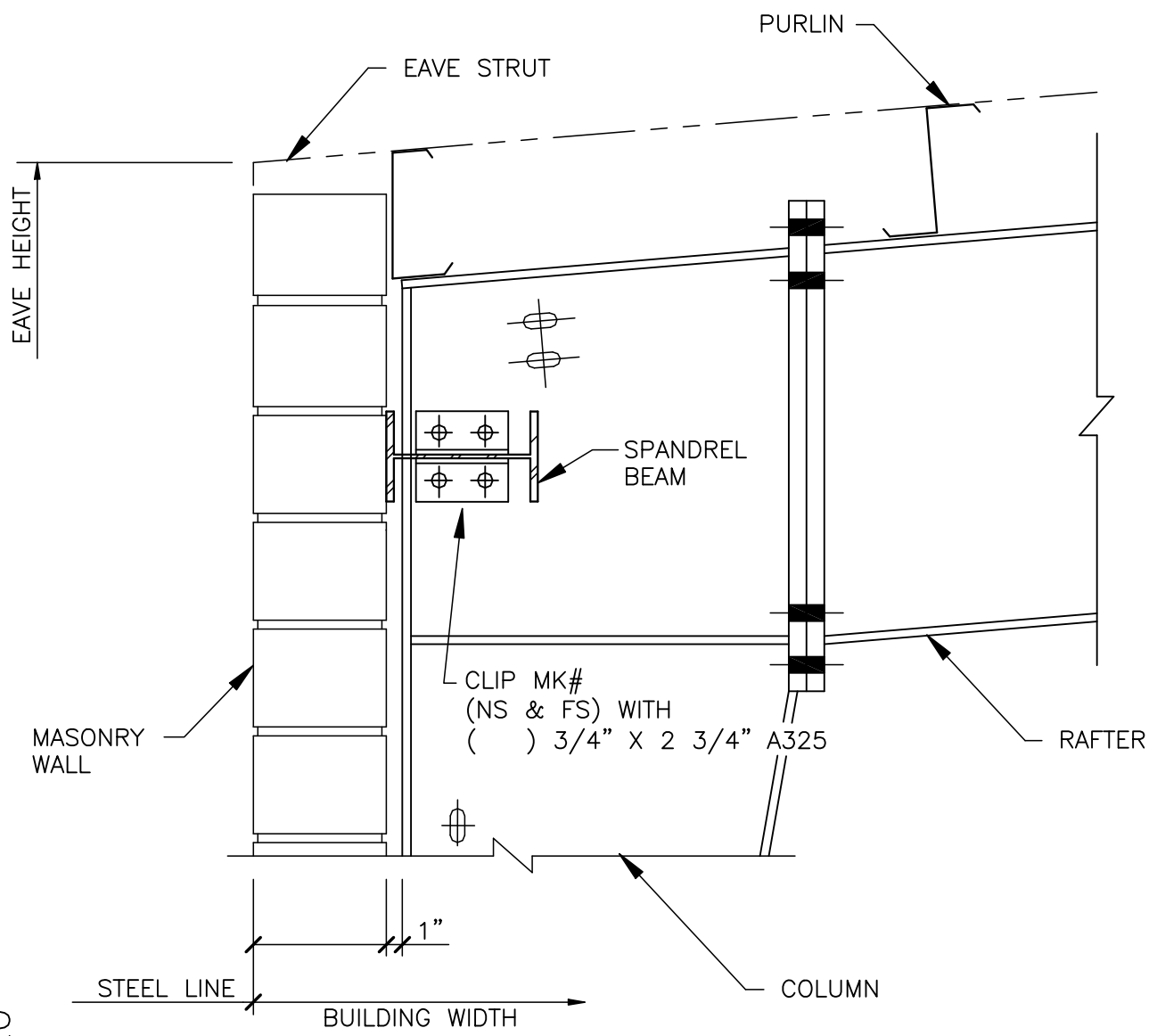
LAST REVISION DATE: 02/09/01 BY: CDM CHK: RJF	DETAIL NAME IF APPLICABLE LA0010.DWG	4.10.3
---	--	---------------



PRODUCT AND ENGINEERING MANUAL

4.10 NON-LOAD BEARING MASONRY WALL

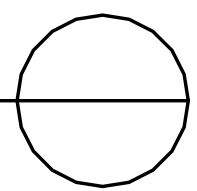
LA0020 – NON-PARAPET, PURLIN BLDG., EAVE STRUT INSIDE OF MASONRY



LA0020

NON-LOAD BEARING FULL HGT. MASONRY

NON-PARAPET: PURLIN ROOF, EAVE STRUT INSIDE OF MASONRY



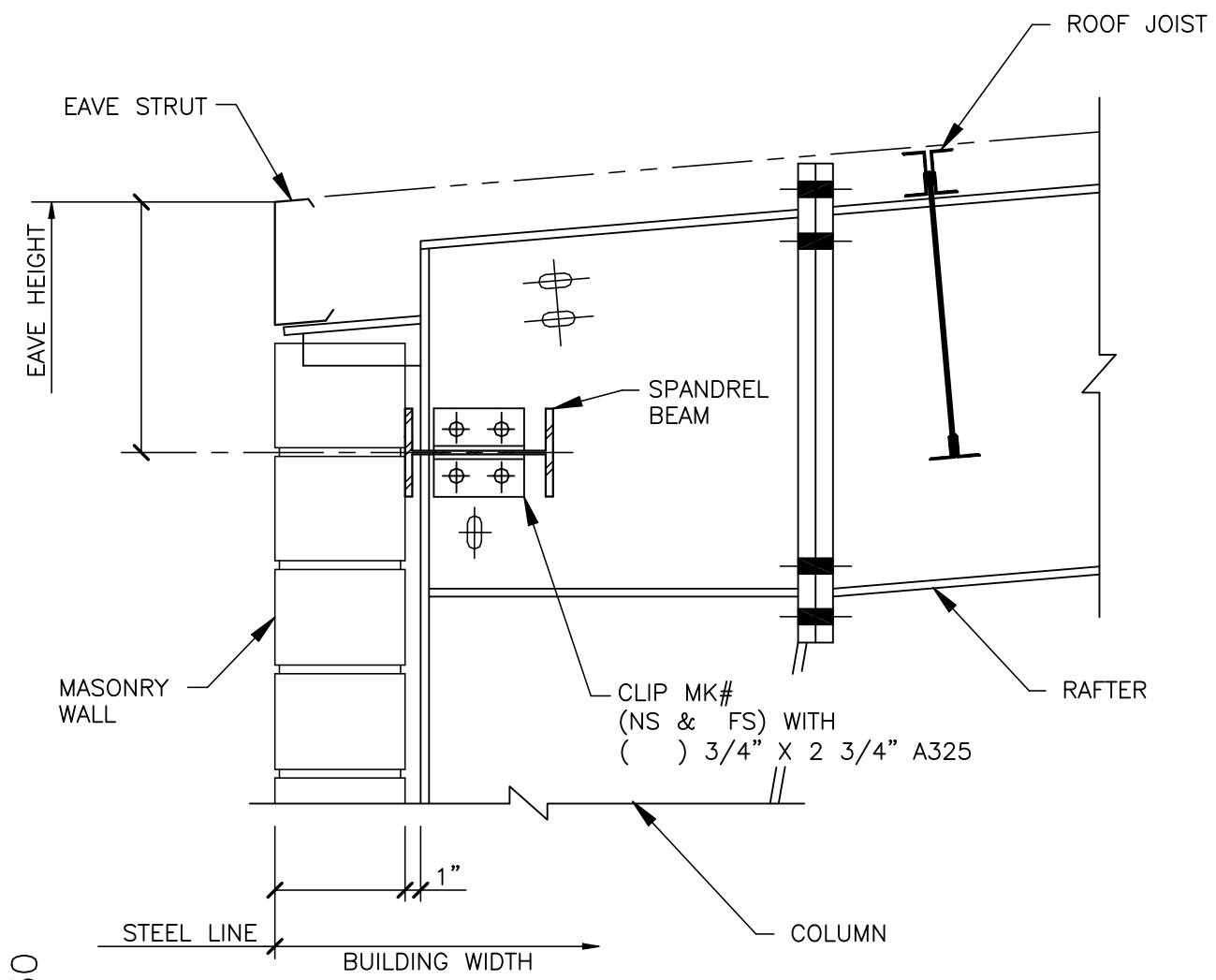
LAST REVISION DATE: <u>01/03/02</u> BY: <u>CDM</u> CHK: <u>RJF</u>	DETAIL NAME IF APPLICABLE LA0020.DWG	4.10.4
--	--	---------------



PRODUCT AND ENGINEERING MANUAL

4.10 NON-LOAD BEARING MASONRY WALL

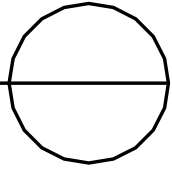
LA0030 – NON-PARAPET, JOIST BLDG., EAVE STRUT ON TOP OF MASONRY



LA0030

NON-LOAD BEARING FULL HGT. MASONRY

NON-PARAPET: JOIST ROOF, EAVE STRUT ON TOP OF MASONRY



LAST REVISION
 DATE: 02/09/01
 BY: CDM CHK: RJF

DETAIL NAME IF APPLICABLE
LA0030.DWG

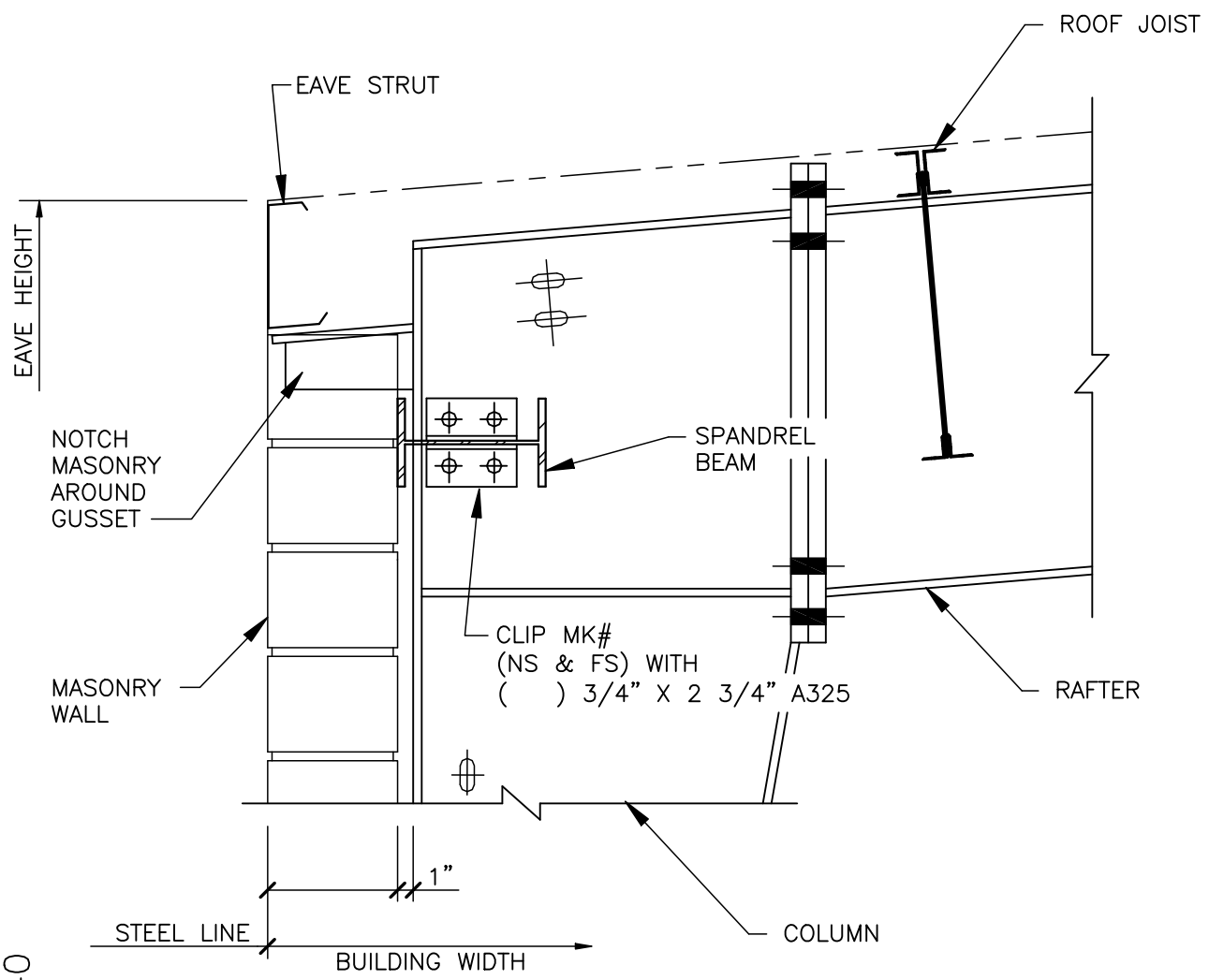
4.10.5



PRODUCT AND ENGINEERING MANUAL

4.10 NON-LOAD BEARING MASONRY WALL

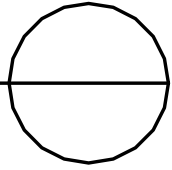
LA0040 – NON-PARAPET, JOIST BLDG., EAVE STRUT ON TOP OF MASONRY



LA0040

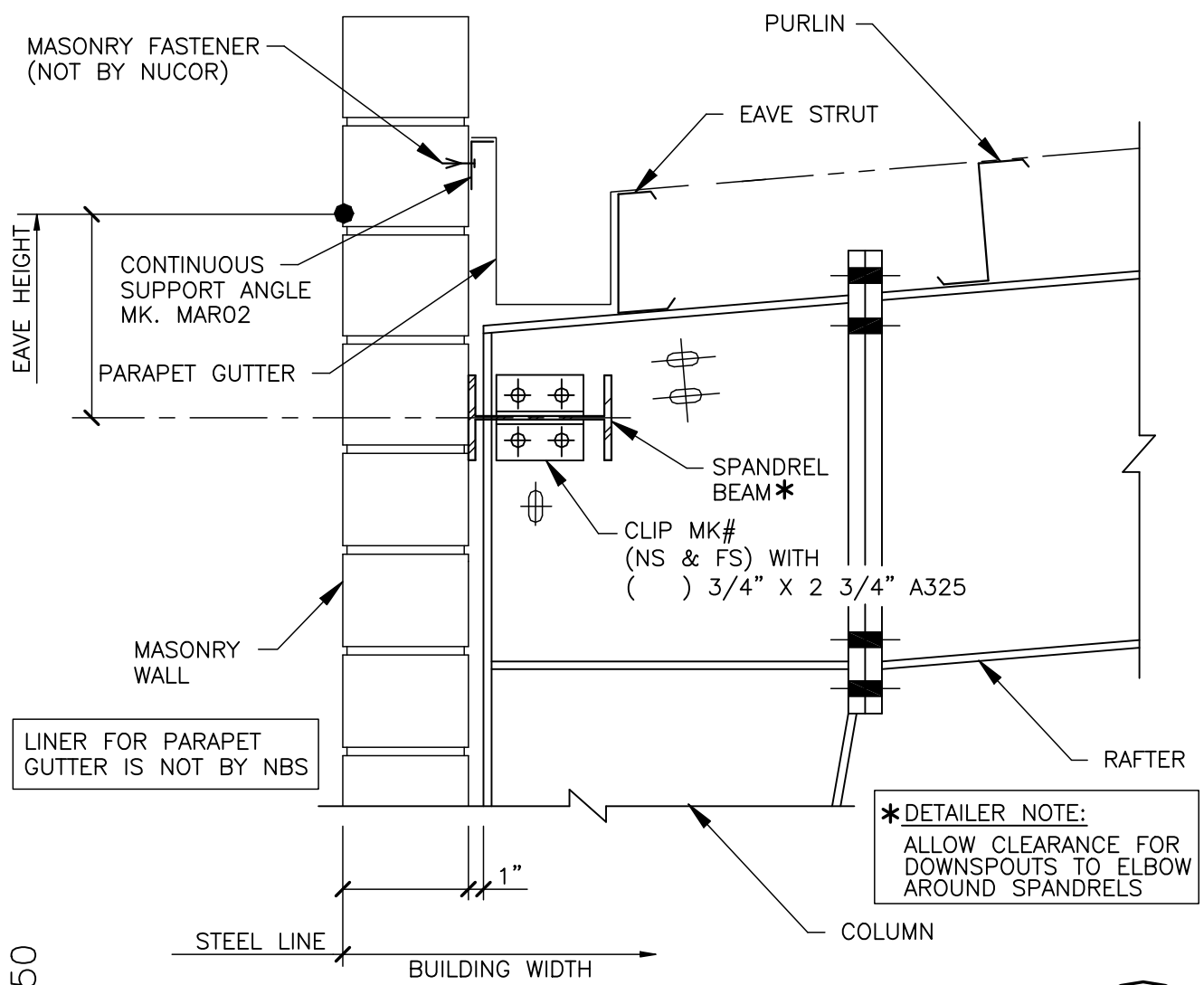
NON-LOAD BEARING FULL HGT. MASONRY

NON-PARAPET: JOIST ROOF, EAVE STRUT INSIDE OF MASONRY



LAST REVISION DATE: <u>02/09/01</u> BY: <u>CDM</u> CHK: <u>RJF</u>	DETAIL NAME IF APPLICABLE LA0040.DWG	4.10.6
--	--	---------------

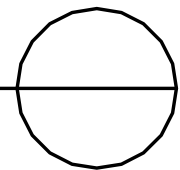
LA0050 – PARAPET, PURLIN BLDG.



LA0050

NON-LOAD BEARING FULL HGT. MASONRY

PARAPET: PURLIN ROOF



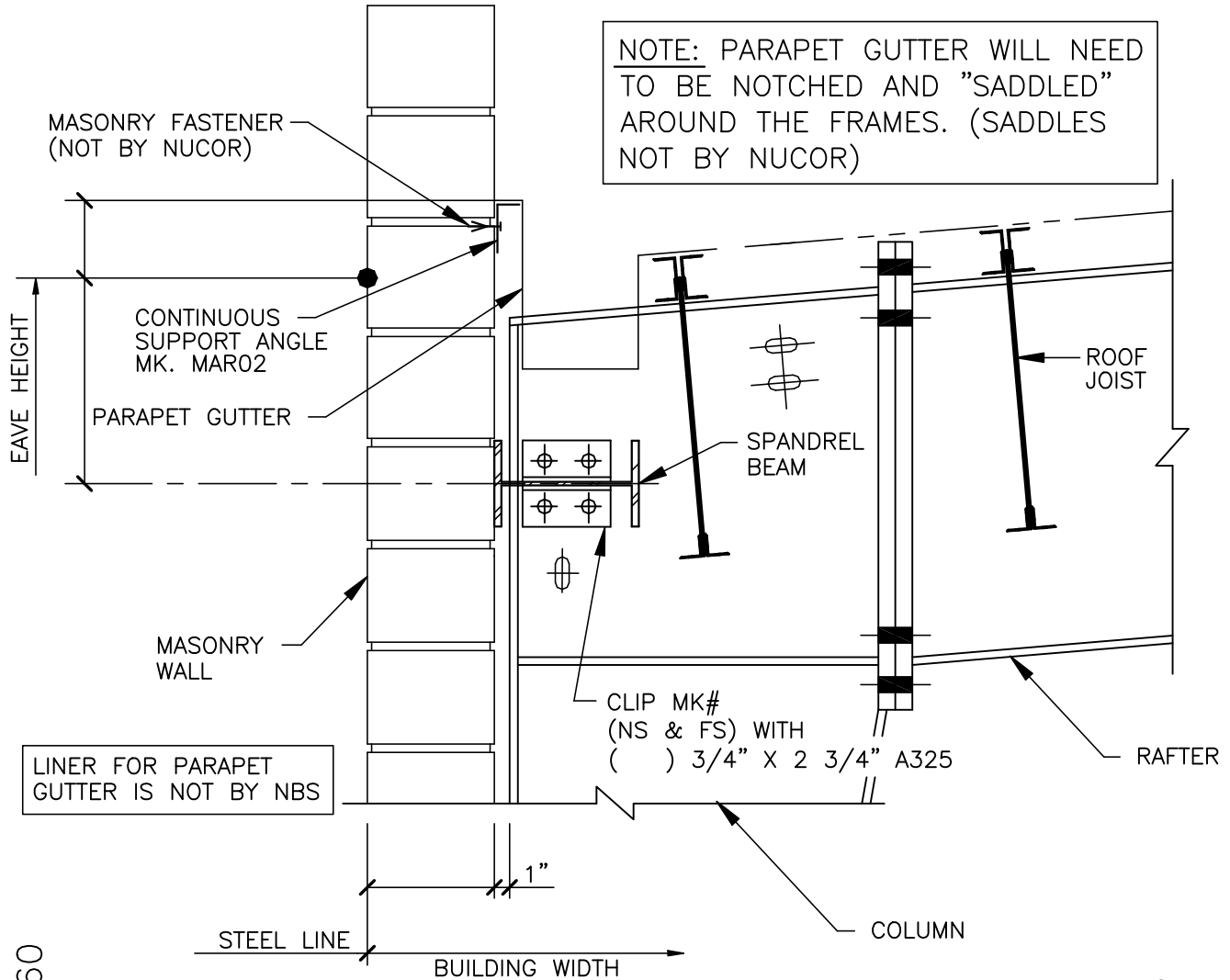
LAST REVISION DATE: <u>02/09/01</u> BY: <u>CDM</u> CHK: <u>RJF</u>	<u>DETAIL NAME IF APPLICABLE</u> <b style="color: blue;">LA0050.DWG	4.10.7
--	--	---------------



PRODUCT AND ENGINEERING MANUAL

4.10 NON-LOAD BEARING MASONRY WALL

LA0060 – PARAPET, JOIST BLDG.



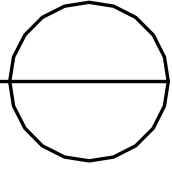
NOTE: PARAPET GUTTER WILL NEED TO BE NOTCHED AND "SADDLED" AROUND THE FRAMES. (SADDLES NOT BY NUCOR)

LINER FOR PARAPET GUTTER IS NOT BY NBS

LA0060

NON-LOAD BEARING FULL HGT. MASONRY

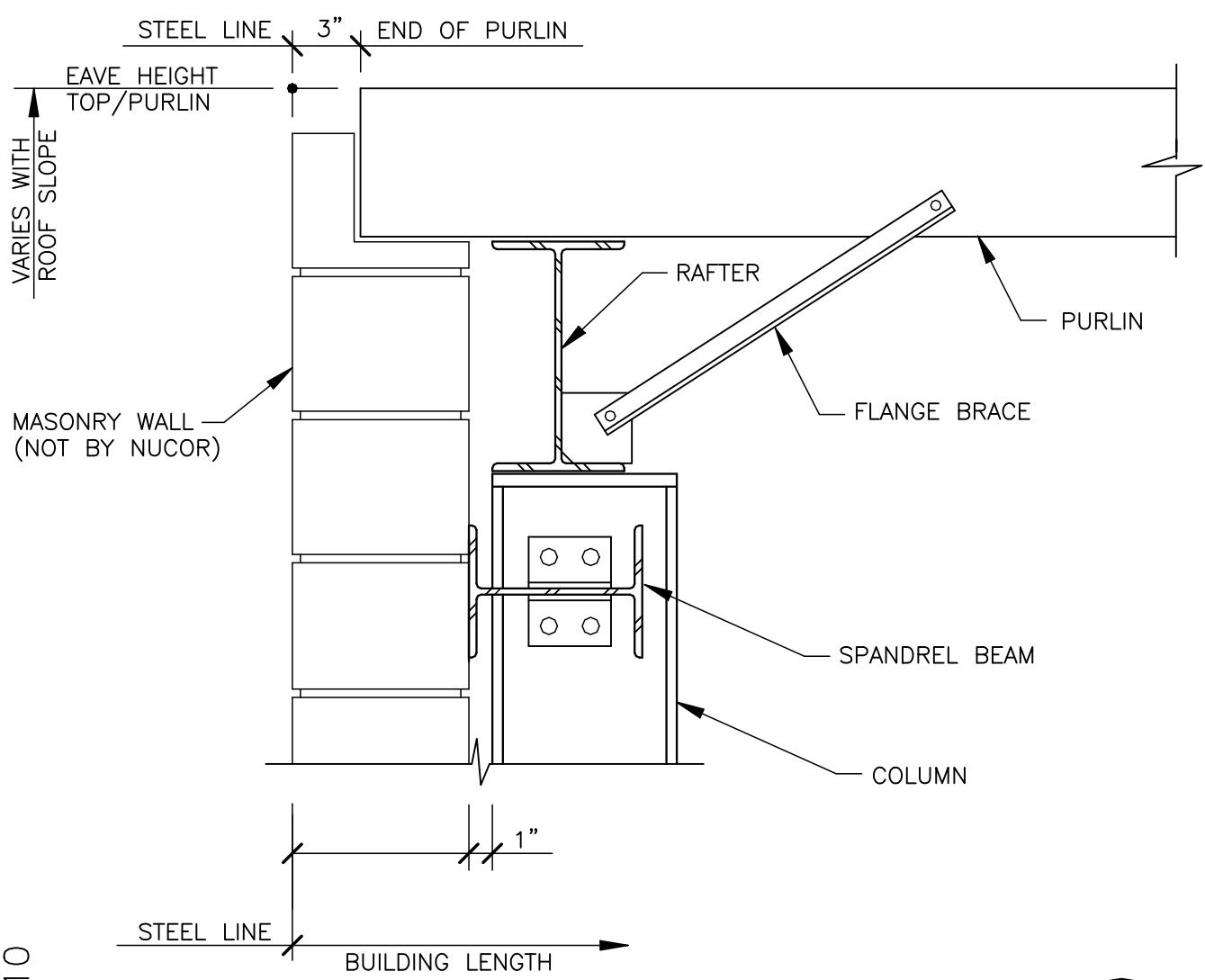
PARAPET: JOIST ROOF



<p>LAST REVISION DATE: 02/09/01 BY: CDM CHK: RJF</p>	<p>DETAIL NAME IF APPLICABLE LA0060.DWG</p>	<p>4.10.8</p>
--	---	----------------------

B: ENDWALL STRUCTURAL CONDITIONS

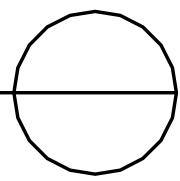
LB0010 – NON-PARAPET, PURLIN BLDG.



LB0010

NON-LOAD BEARING MASONRY WALL DETAIL

NON-PARAPET: PURLIN ROOF



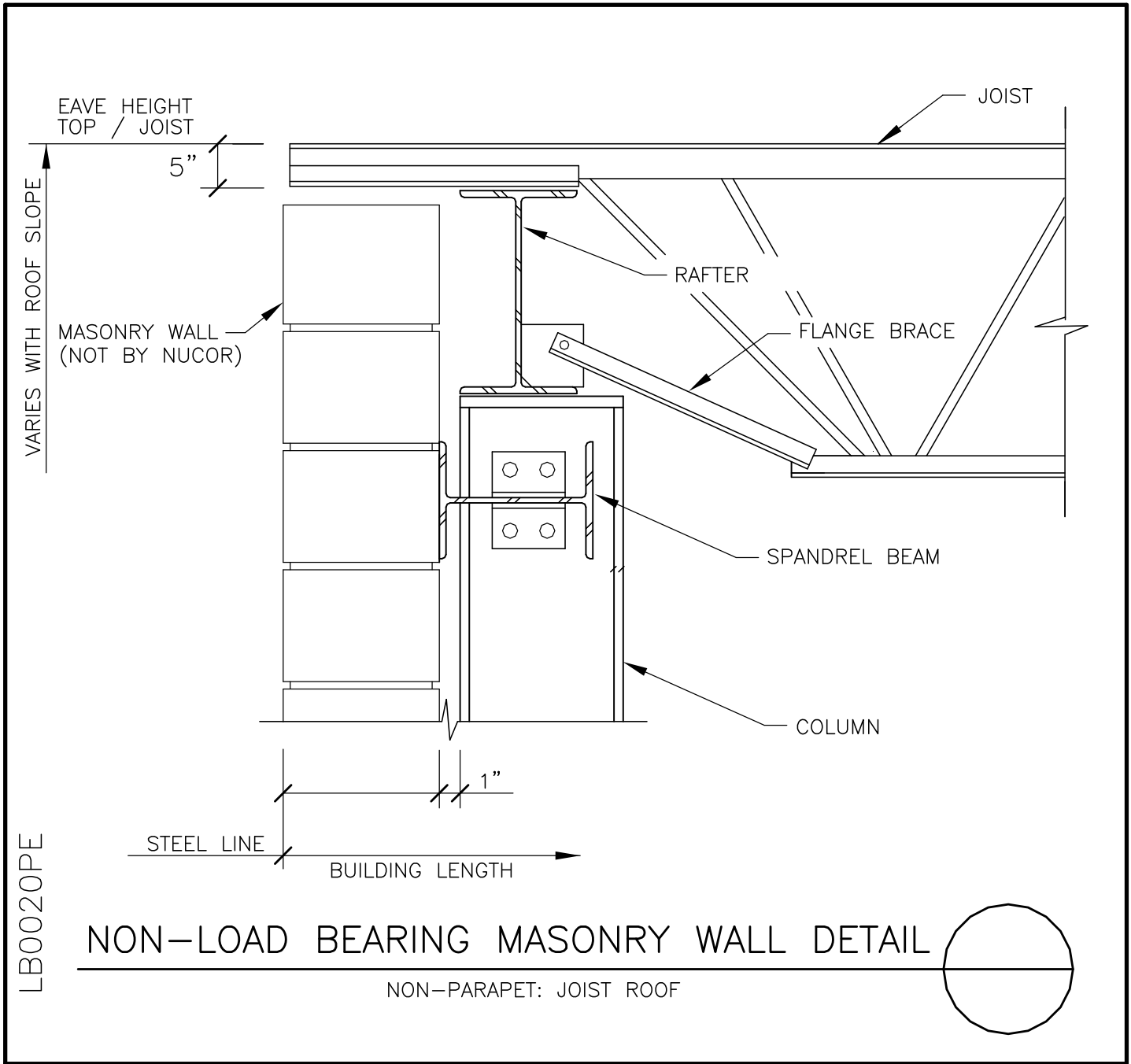
LAST REVISION DATE: <u>02/09/01</u> BY: <u>CDM</u> CHK: <u>RJF</u>	DETAIL NAME IF APPLICABLE <p style="text-align: center; color: blue;">LB0010.DWG</p>	<p style="text-align: center; font-weight: bold;">4.10.9</p>
--	--	--



PRODUCT AND ENGINEERING MANUAL

4.10 NON-LOAD BEARING MASONRY WALL

LB0020PE – NON-PARAPET, JOIST BLDG.



LAST REVISION
DATE: 08/24/09
BY: DLC CHK: AES

DETAIL NAME IF APPLICABLE
LB0020PE.DWG

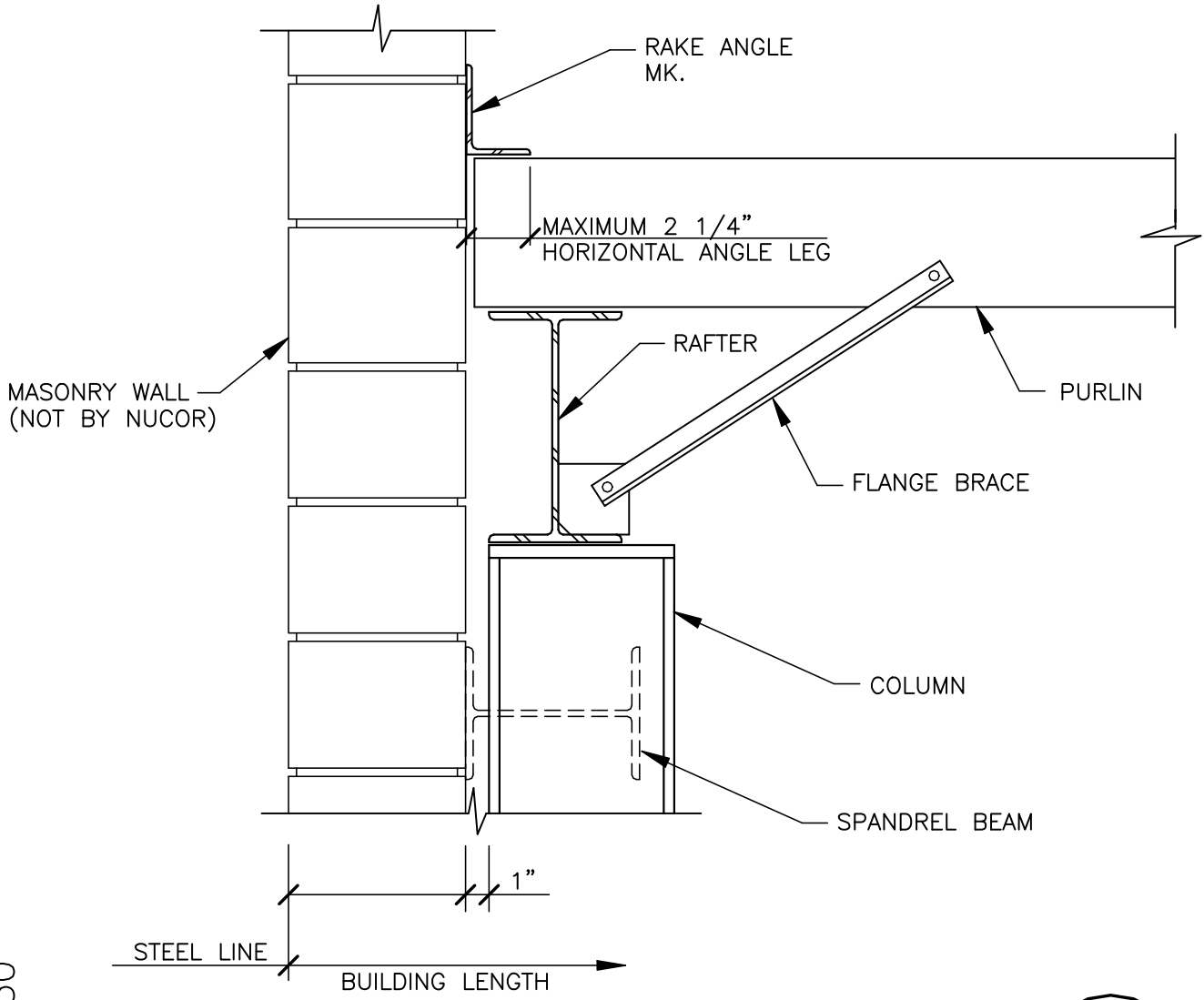
4.10.10



PRODUCT AND ENGINEERING MANUAL

4.10 NON-LOAD BEARING MASONRY WALL

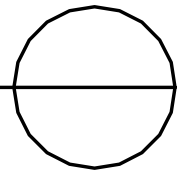
LB0030 – PARAPET, PURLIN BLDG.



LB0030

NON-LOAD BEARING MASONRY WALL DETAIL

PARAPET: PURLIN ROOF



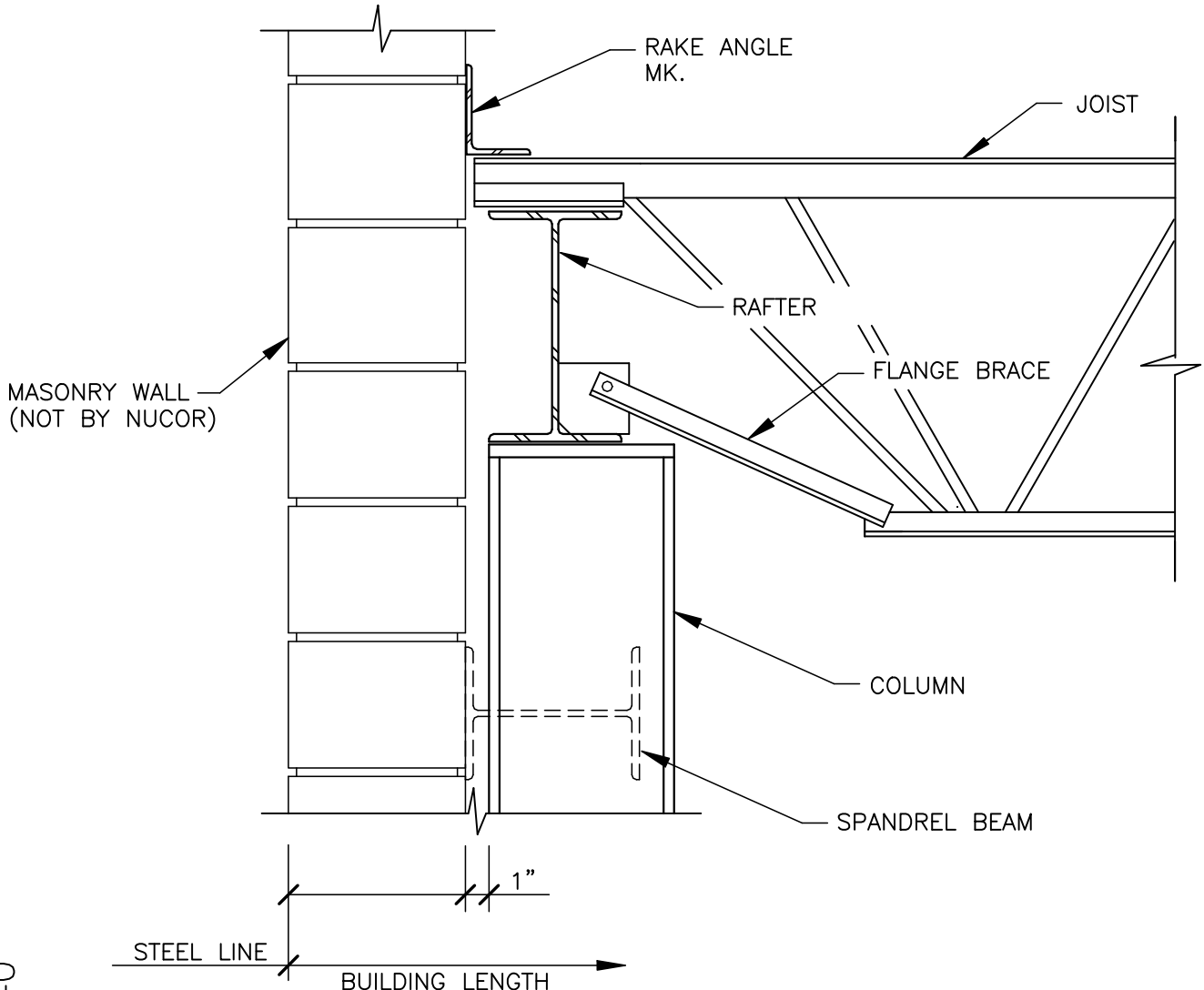
LAST REVISION DATE: <u>02/09/01</u> BY: <u>CDM</u> CHK: <u>RJF</u>	DETAIL NAME IF APPLICABLE LB0030.DWG	4.10.11
--	--	----------------



PRODUCT AND ENGINEERING MANUAL

4.10 NON-LOAD BEARING MASONRY WALL

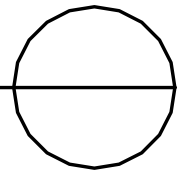
LB0040 – PARAPET, JOIST BLDG.



LB0040

NON-LOAD BEARING MASONRY WALL DETAIL

PARAPET: JOIST ROOF



LAST REVISION
 DATE: 02/09/01
 BY: CDM CHK: RJF

DETAIL NAME IF APPLICABLE
LB0040.DWG

4.10.12

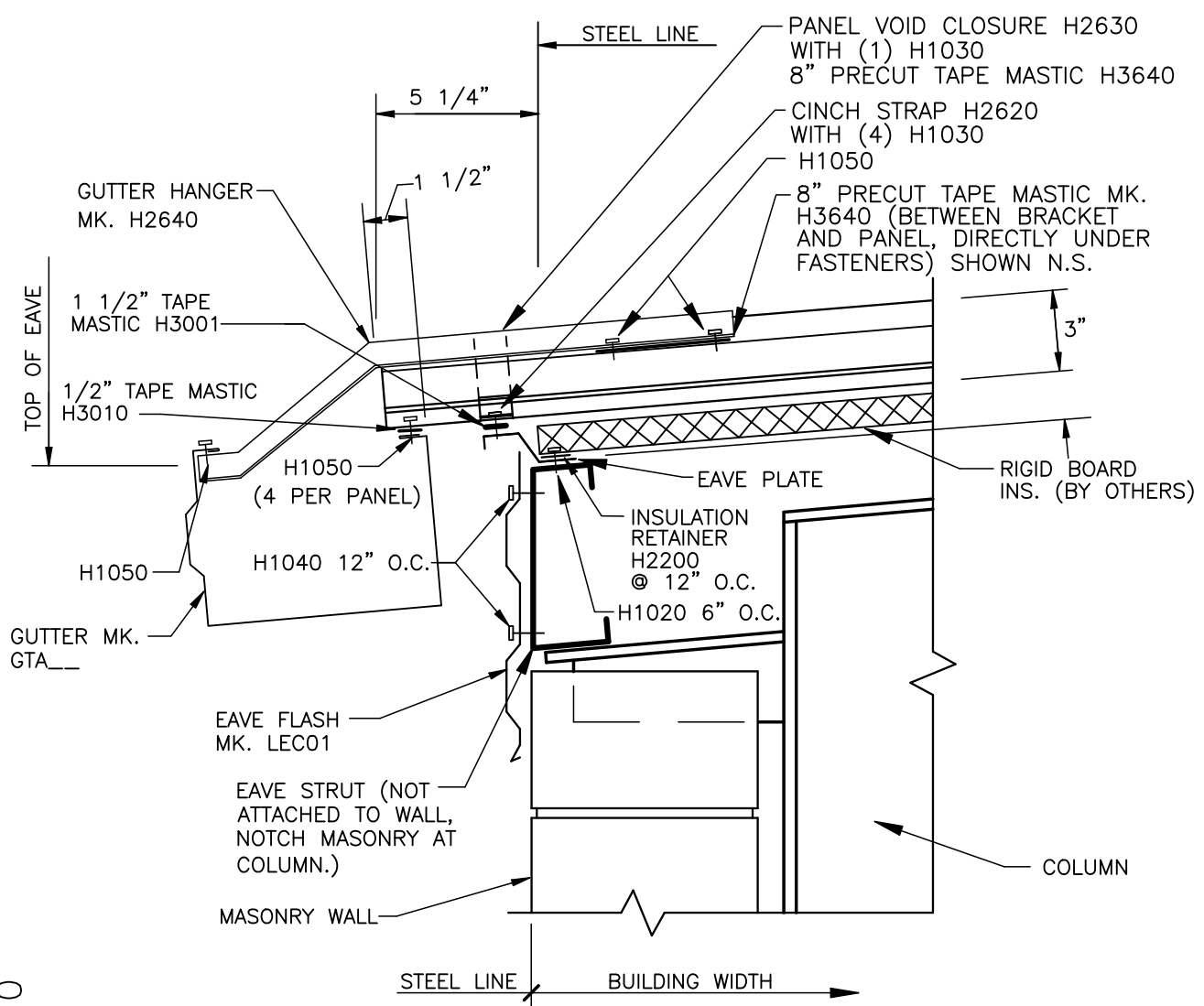


PRODUCT AND ENGINEERING MANUAL

4.10 NON-LOAD BEARING MASONRY WALL

C: SIDEWALL SHEETING CONDITIONS

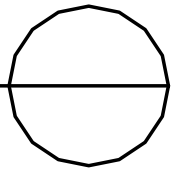
LC1010 – NON-PARAPET, JOIST BLDG., CFR BY NBS, EAVE STRUT ON TOP OF MASONRY



LC1010

NON-LOAD BEARING FULL HGT. MASONRY

NON-PARAPET: CFR BY NBS, EAVE STRUT ON TOP OF MASONRY



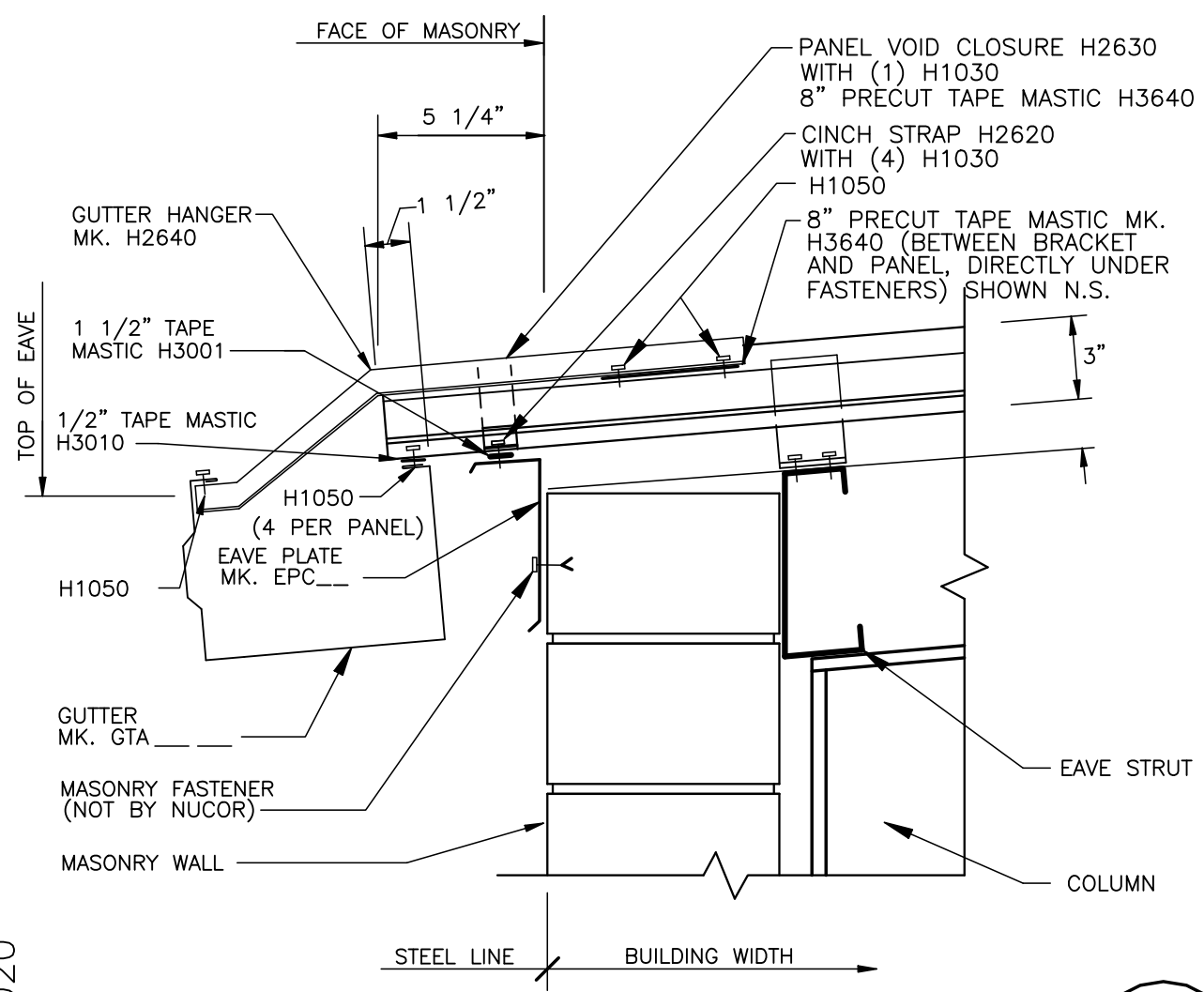
LAST REVISION DATE: <u>06/21/01</u> BY: <u>CDM</u> CHK: <u>RJF</u>	DETAIL NAME IF APPLICABLE LC1010.DWG	4.10.13
--	--	----------------



PRODUCT AND ENGINEERING MANUAL

4.10 NON-LOAD BEARING MASONRY WALL

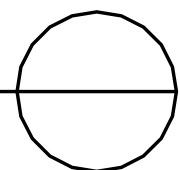
LC1020 – NON-PARAPET, PURLIN BLDG., CFR BY NBS, EAVE STRUT INSIDE OF MASONRY



LC1020

NON-LOAD BEARING FULL HGT. MASONRY

NON-PARAPET: CFR BY NBS, EAVE STRUT INSIDE OF MASONRY



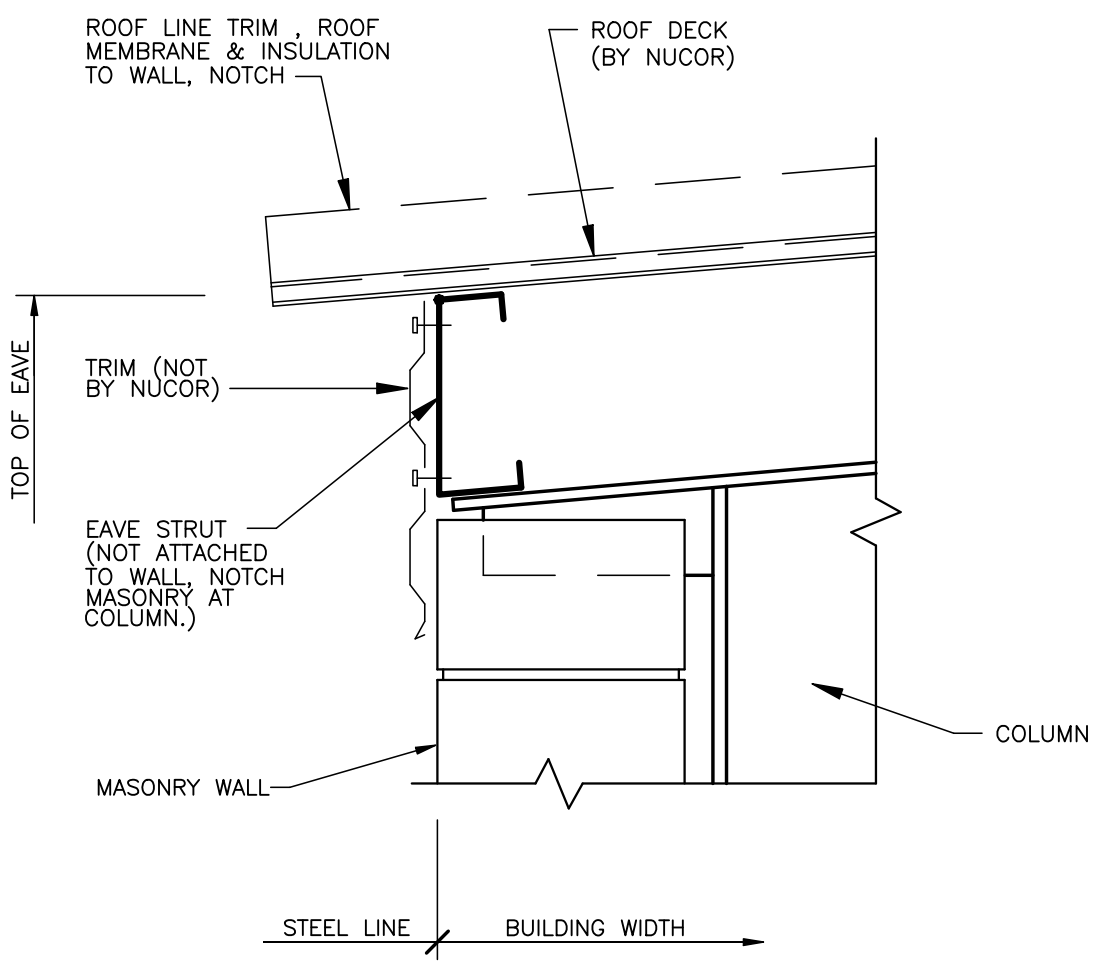
<p>LAST REVISION DATE: <u>06/21/01</u> BY: <u>CDM</u> CHK: <u>RJF</u></p>	<p>DETAIL NAME IF APPLICABLE LC1020.DWG</p>	<p>4.10.14</p>
---	---	-----------------------



PRODUCT AND ENGINEERING MANUAL

4.10 NON-LOAD BEARING MASONRY WALL

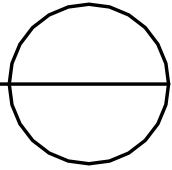
LC1030 – NON-PARAPET, PURLIN BLDG., ROOF NOT BY NBS, EAVE STRUT ON TOP OF MASONRY



LC1030

NON-LOAD BEARING FULL HGT. MASONRY

NON-PARAPET: ROOF NOT BY NBS, EAVE STRUT ON TOP OF MASONRY



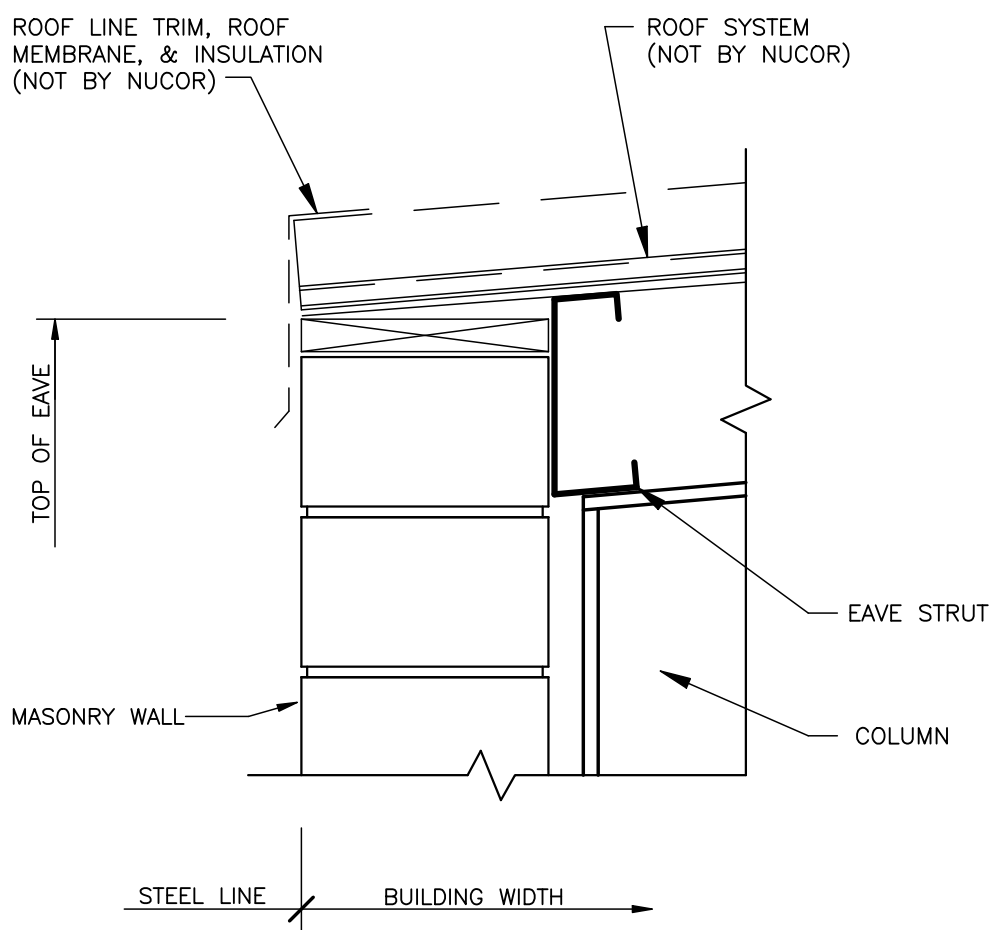
LAST REVISION DATE: <u>02/09/01</u> BY: <u>CDM</u> CHK: <u>RJF</u>	DETAIL NAME IF APPLICABLE LC1030.DWG	4.10.15
--	--	----------------



PRODUCT AND ENGINEERING MANUAL

4.10 NON-LOAD BEARING MASONRY WALL

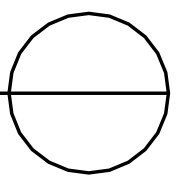
LC1040 – NON-PARAPET, PURLIN BLDG., ROOF NOT BY NBS, EAVE STRUT ON TOP OF MASONRY



LC1040

NON-LOAD BEARING FULL HGT. MASONRY

NON-PARAPET: ROOF NOT BY NBS, EAVE STRUT INSIDE OF MASONRY



LAST REVISION
 DATE: 02/09/01
 BY: CDM CHK: RJF

DETAIL NAME IF APPLICABLE
LC1040.DWG

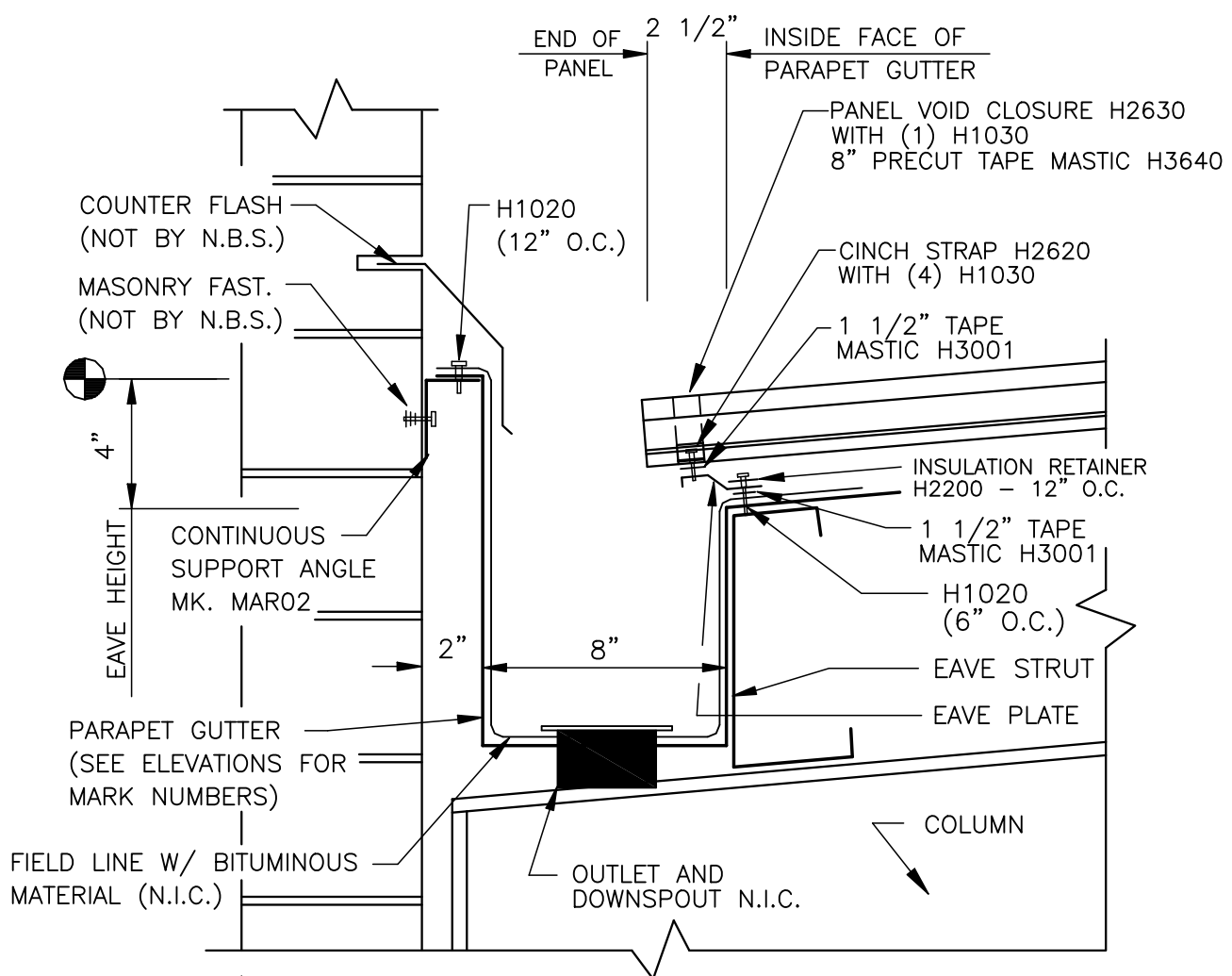
4.10.16



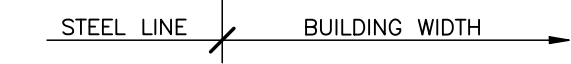
PRODUCT AND ENGINEERING MANUAL

4.10 NON-LOAD BEARING MASONRY WALL

LC1050 – PARAPET, PURLIN BLDG., CFR BY NBS

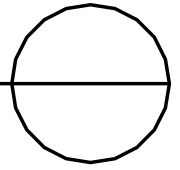


LC1050



NON-LOAD BEARING FULL HGT. MASONRY

PARAPET: CFR BY NBS, PURLIN ROOF



LAST REVISION
 DATE: 06/21/01
 BY: CDM CHK: RJF

DETAIL NAME IF APPLICABLE
LC1050.DWG

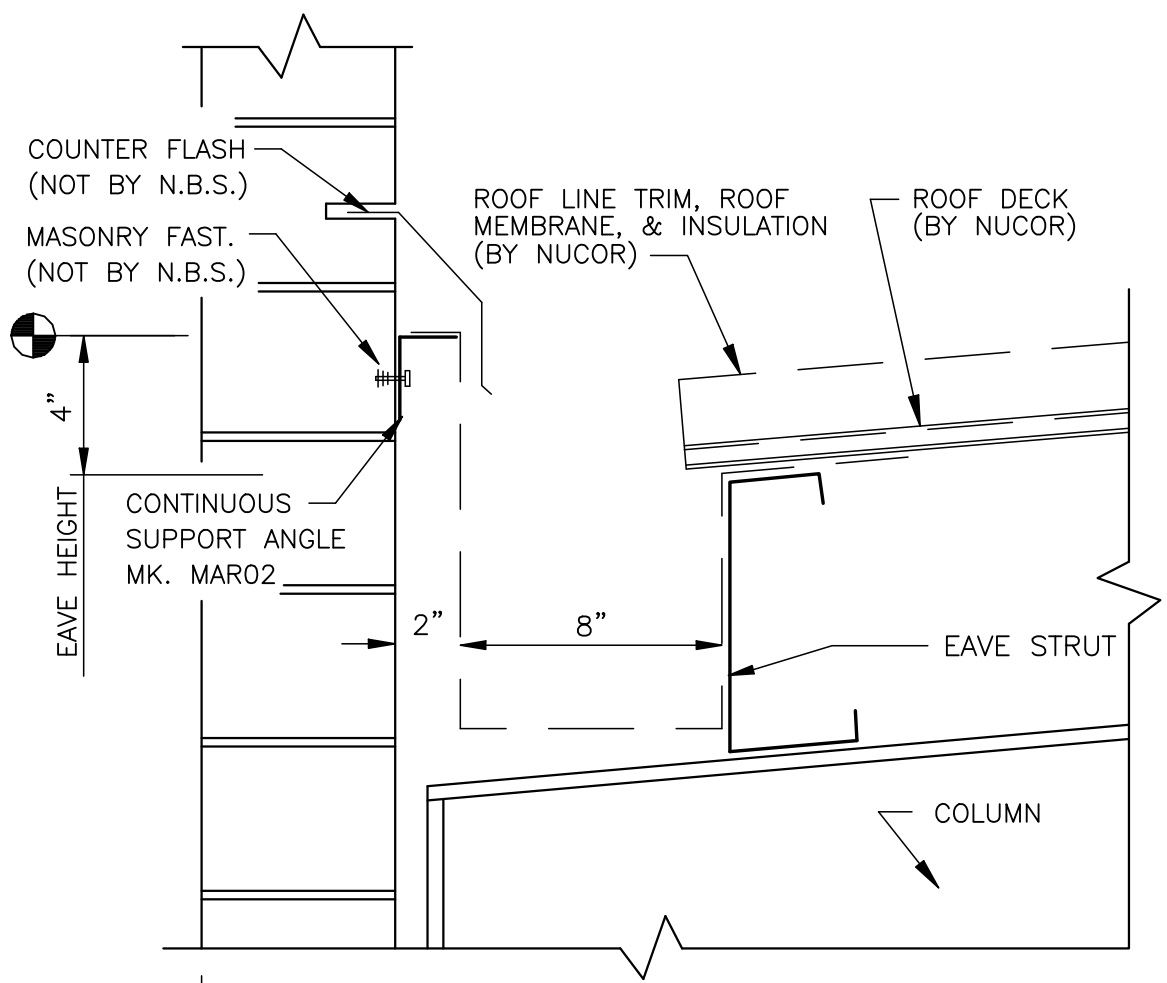
4.10.17



PRODUCT AND ENGINEERING MANUAL

4.10 NON-LOAD BEARING MASONRY WALL

LC1060 – PARAPET, PURLIN BLDG., ROOF NOT BY NBS

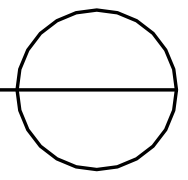


LC1060

STEEL LINE BUILDING WIDTH

NON-LOAD BEARING FULL HGT. MASONRY

PARAPET: ROOF NOT BY NBS, PURLIN ROOF



LAST REVISION
 DATE: 02/09/01
 BY: CDM CHK: RJF

DETAIL NAME IF APPLICABLE
LC1060.DWG

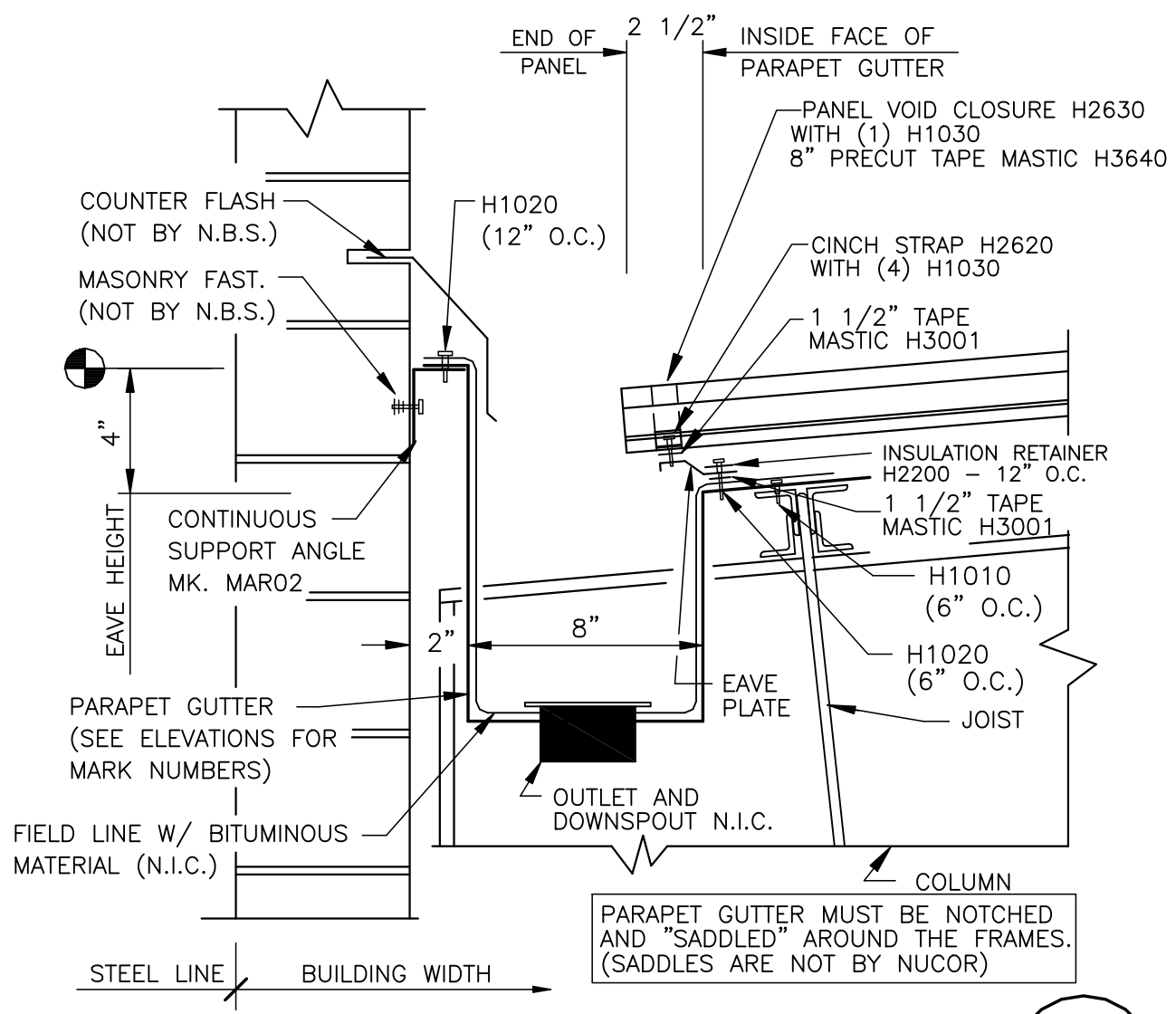
4.10.18



PRODUCT AND ENGINEERING MANUAL

4.10 NON-LOAD BEARING MASONRY WALL

LC1070 – PARAPET, JOIST BLDG., CFR BY NBS



LC1070

NON-LOAD BEARING FULL HGT. MASONRY

PARAPET: CFR BY NBS, JOIST ROOF

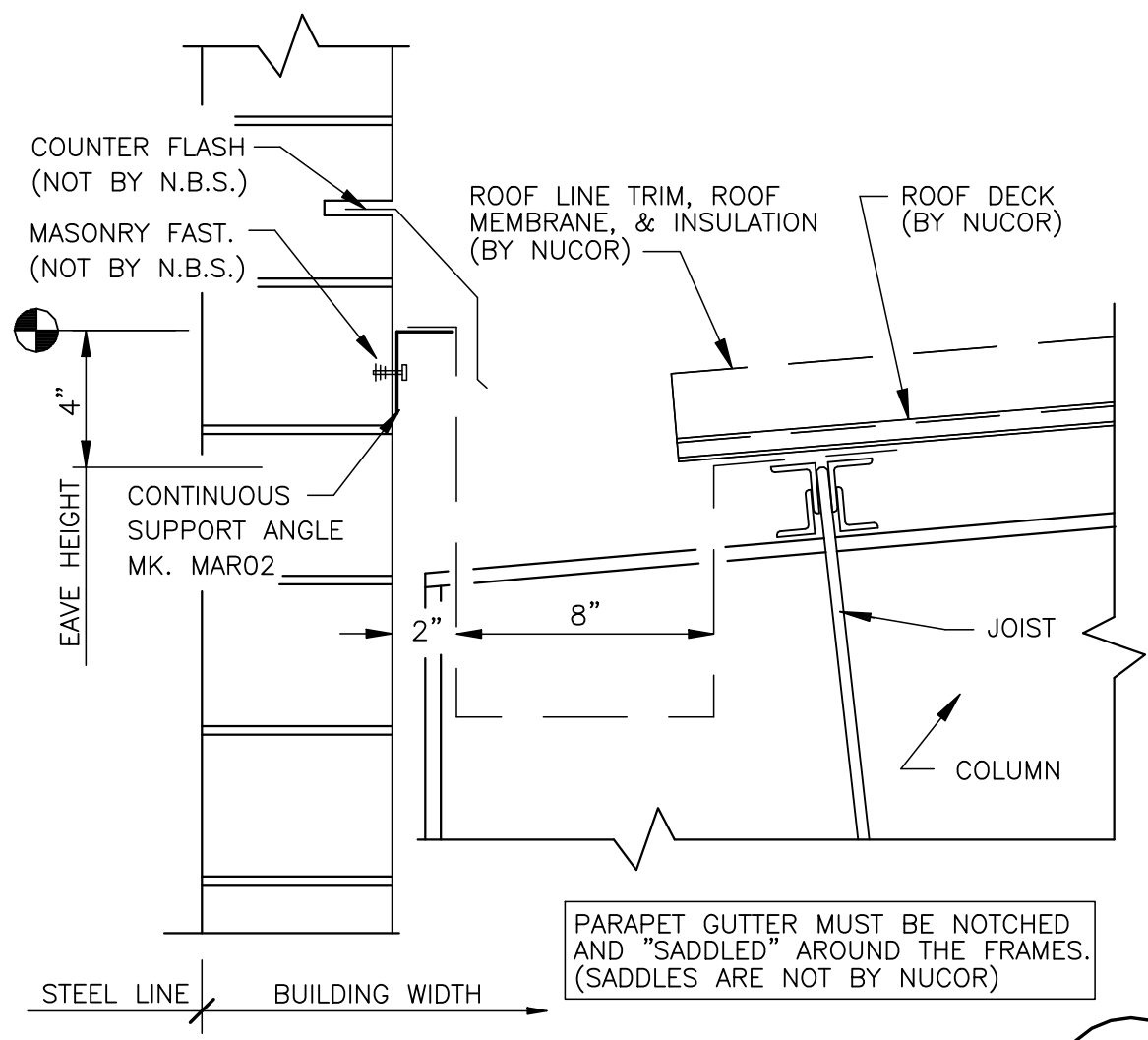
<p>LAST REVISION DATE: <u>06/21/01</u> BY: <u>CDM</u> CHK: <u>RJF</u></p>	<p>DETAIL NAME IF APPLICABLE LC1070.DWG</p>	<p>4.10.19</p>
---	---	-----------------------



PRODUCT AND ENGINEERING MANUAL

4.10 NON-LOAD BEARING MASONRY WALL

LC1080 – PARAPET, JOIST BLDG., ROOF NOT BY NBS

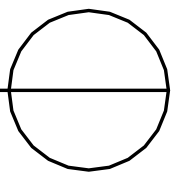


PARAPET GUTTER MUST BE NOTCHED AND "SADDLED" AROUND THE FRAMES. (SADDLES ARE NOT BY NUCOR)

LC1080

NON-LOAD BEARING FULL HGT. MASONRY

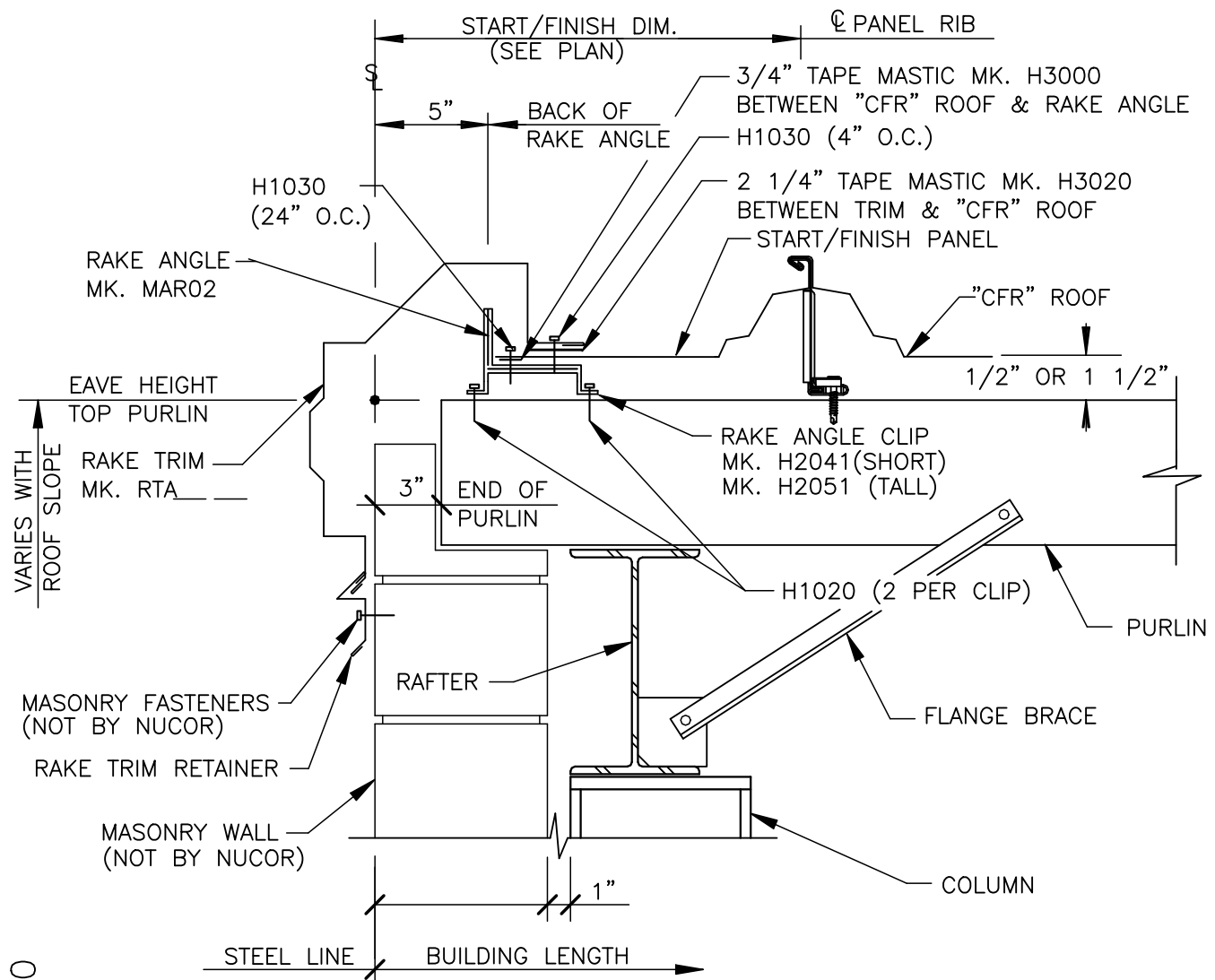
PARAPET: ROOF NOT BY NBS, JOIST ROOF



LAST REVISION DATE: <u>02/09/01</u> BY: <u>CDM</u> CHK: <u>RJF</u>	DETAIL NAME IF APPLICABLE LC1080.DWG	4.10.20
--	--	----------------

D: ENDWALL SHEETING CONDITIONS

LD1010 – NON-PARAPET, PURLIN BLDG., CFR BY NBS



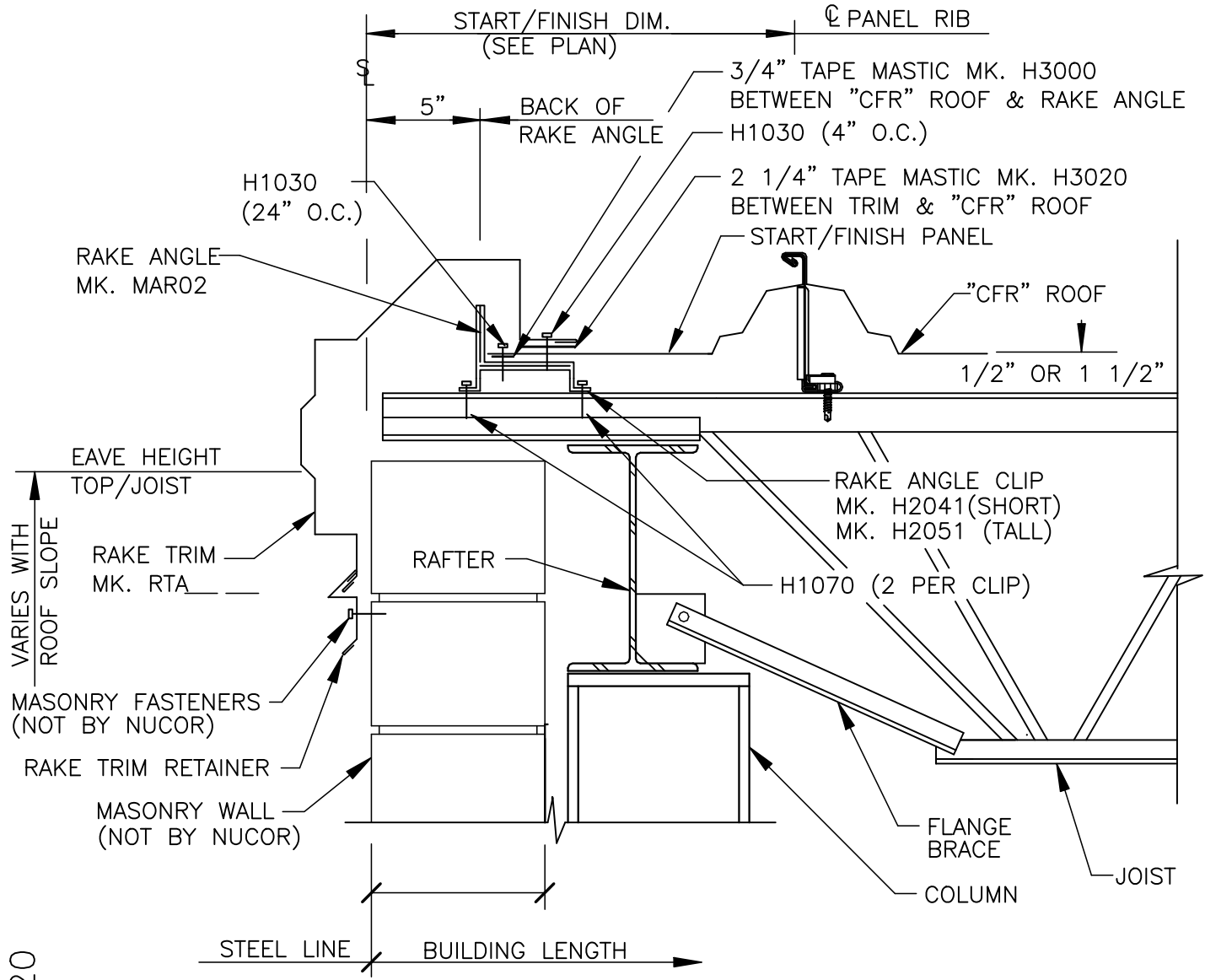
LD1010

NON-LOAD BEARING MASONRY WALL DETAIL

NON-PARAPET: CFR BY NBS, PURLIN ROOF

LAST REVISION DATE: <u>02/09/01</u> BY: <u>CDM</u> CHK: <u>RJF</u>	<u>DETAIL NAME IF APPLICABLE</u> LD1010.DWG	4.10.21
--	---	----------------

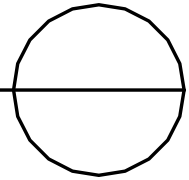
LD1020 – NON-PARAPET, JOIST BLDG., CFR BY NBS



LD1020

NON-LOAD BEARING MASONRY WALL DETAIL

NON-PARAPET: CFR BY NBS, JOIST ROOF



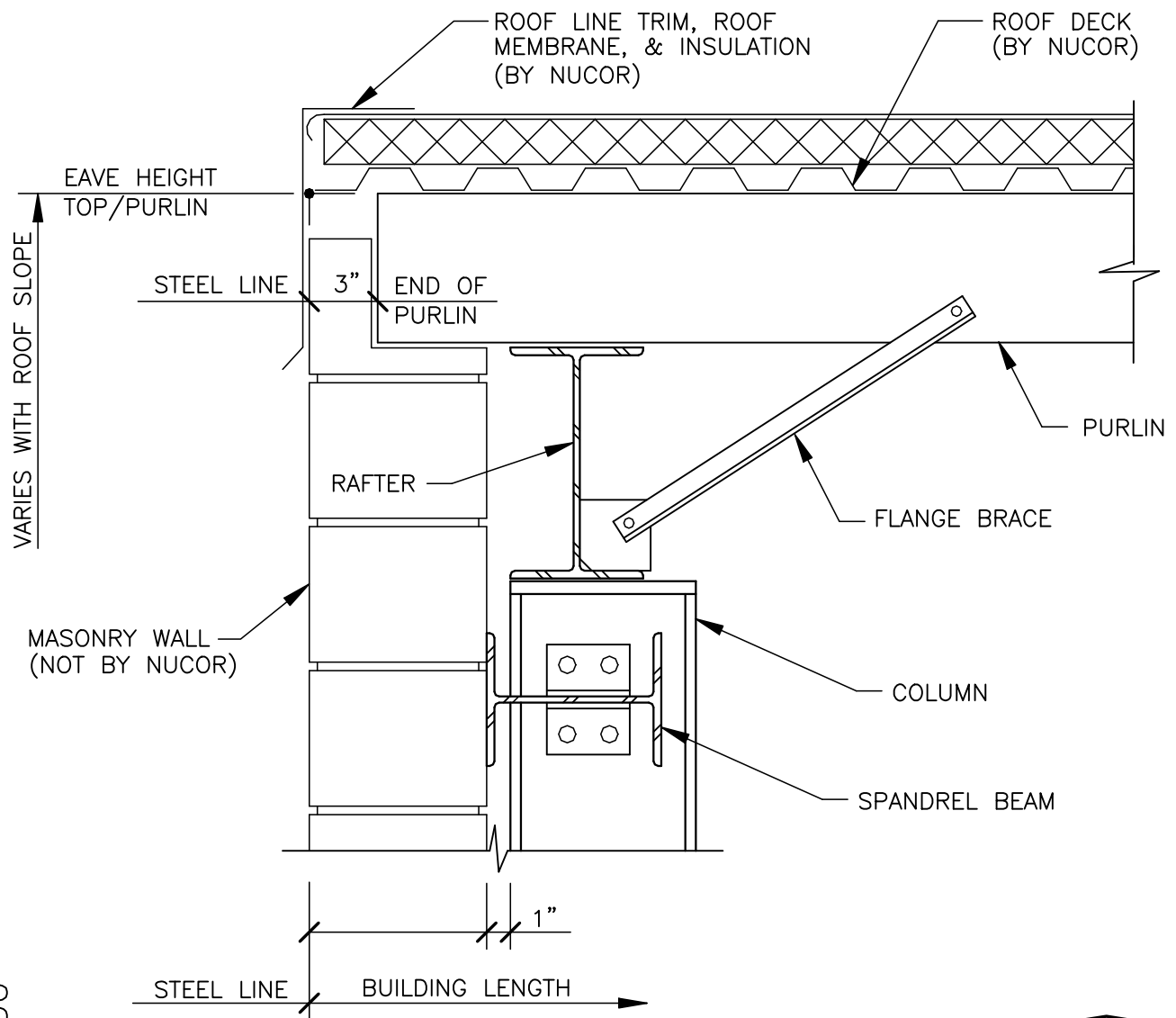
LAST REVISION DATE: <u>03/10/03</u> BY: <u>CDM</u> CHK: <u>RJF</u>	<u>DETAIL NAME IF APPLICABLE</u> LD1020.DWG	4.10.22
--	---	----------------



PRODUCT AND ENGINEERING MANUAL

4.10 NON-LOAD BEARING MASONRY WALL

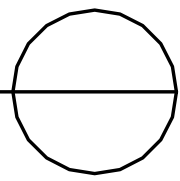
LD1030 – NON-PARAPET, PURLIN BLDG., ROOF NOT BY NBS



LD1030

NON-LOAD BEARING MASONRY WALL DETAIL

NON-PARAPET: ROOF NOT BY NBS, PURLIN ROOF



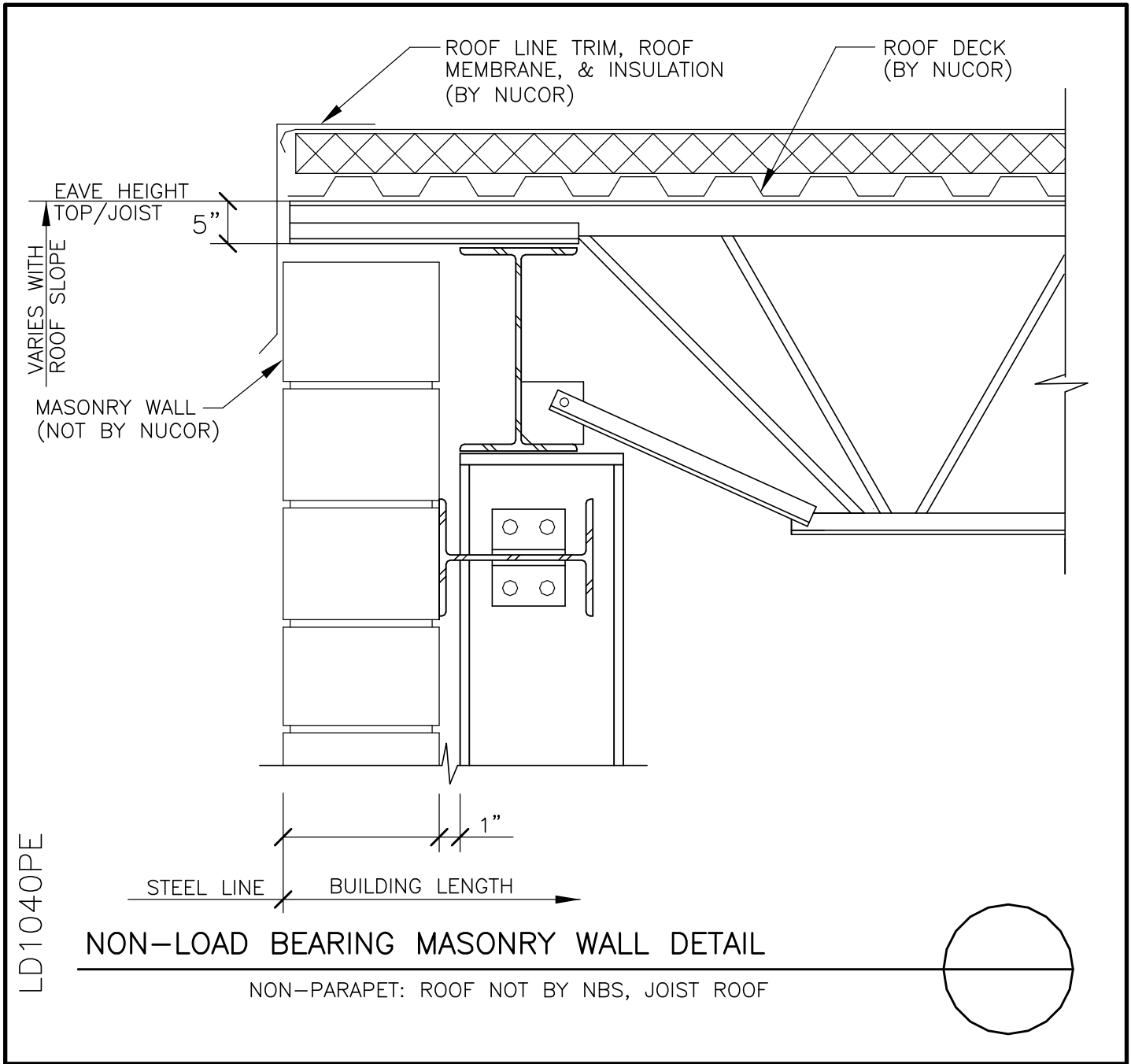
LAST REVISION DATE: <u>02/09/01</u> BY: <u>CDM</u> CHK: <u>RJF</u>	DETAIL NAME IF APPLICABLE LD1030.DWG	4.10.23
--	--	----------------



PRODUCT AND ENGINEERING MANUAL

4.10 NON-LOAD BEARING MASONRY WALL

LD1040PE – NON-PARAPET, JOIST BLDG., ROOF NOT BY NBS

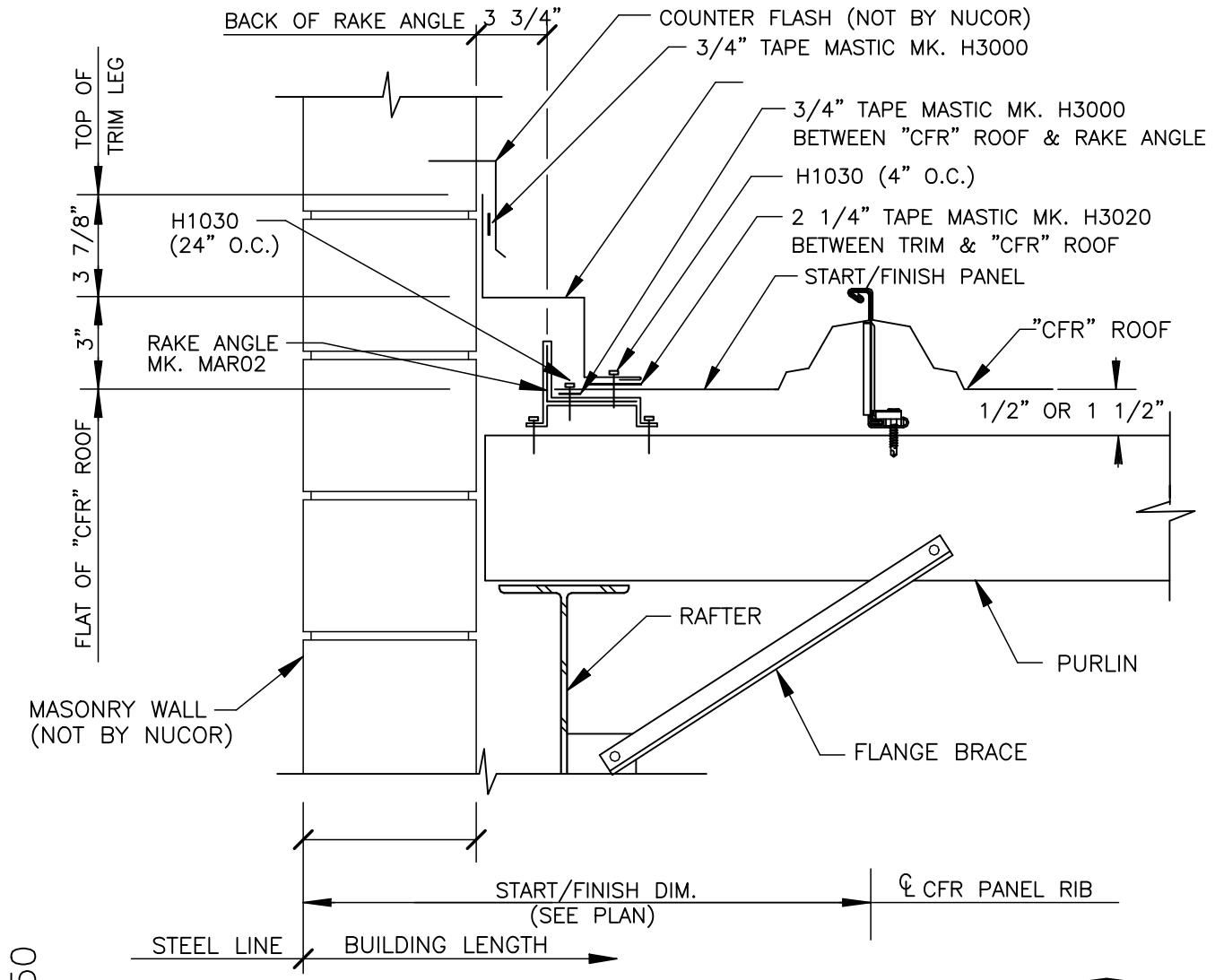


LAST REVISION
 DATE: 08/24/09
 BY: DLC CHK: AES

DETAIL NAME IF APPLICABLE
LD1040PE.DWG

4.10.24

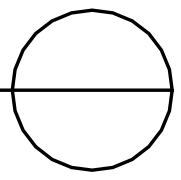
LD1050 – PARAPET, PURLIN BLDG., CFR BY NBS



LD1050

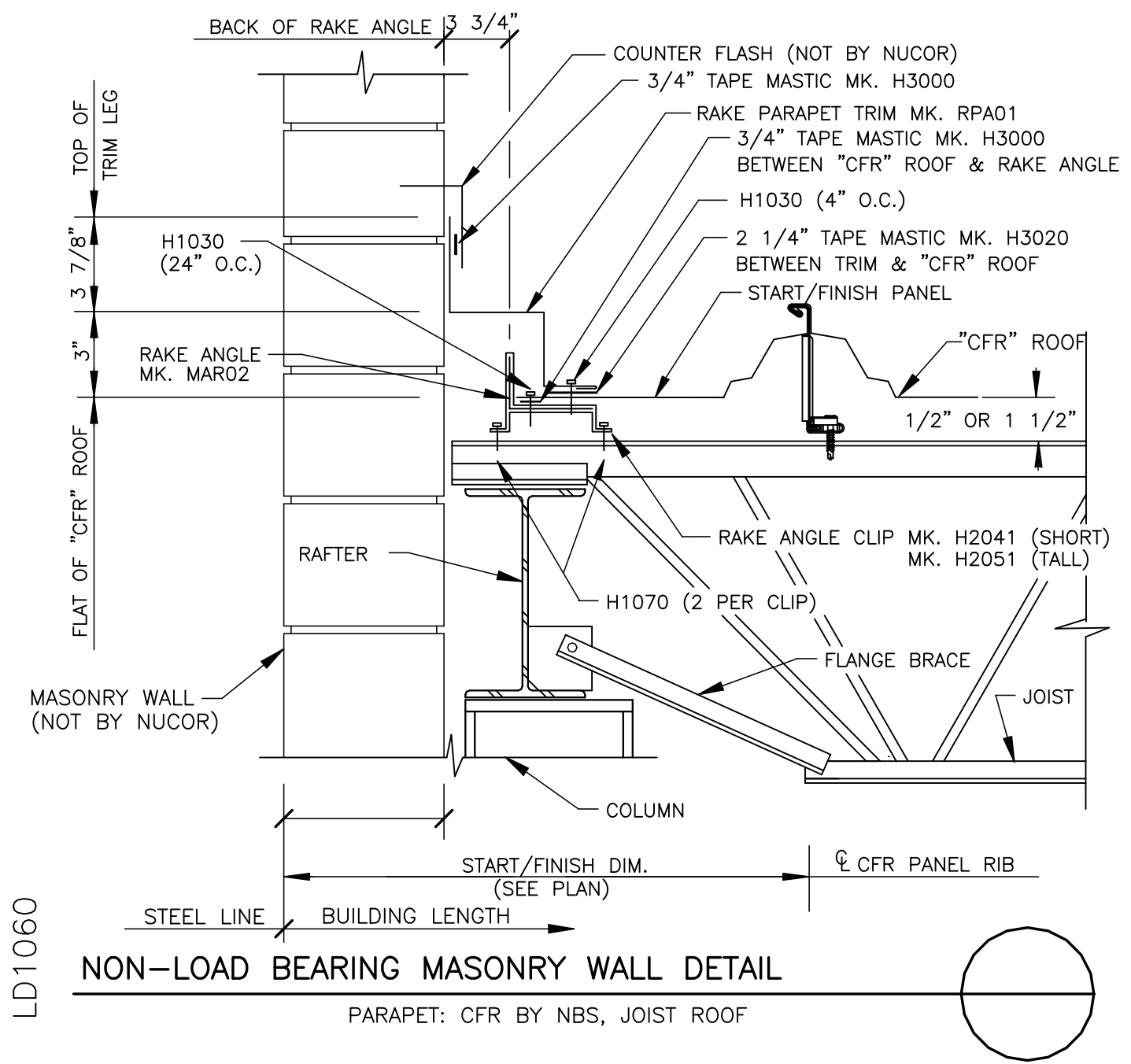
NON-LOAD BEARING MASONRY WALL DETAIL

PARAPET: CFR BY NBS, PURLIN ROOF



LAST REVISION DATE: <u>02/09/01</u> BY: <u>CDM</u> CHK: <u>RJF</u>	<u>DETAIL NAME IF APPLICABLE</u> LD1050.DWG	4.10.25
--	---	----------------

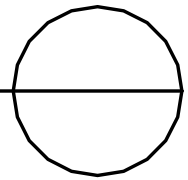
LD1060 – PARAPET, JOIST BLDG., CFR BY NBS



LD1060

NON-LOAD BEARING MASONRY WALL DETAIL

PARAPET: CFR BY NBS, JOIST ROOF



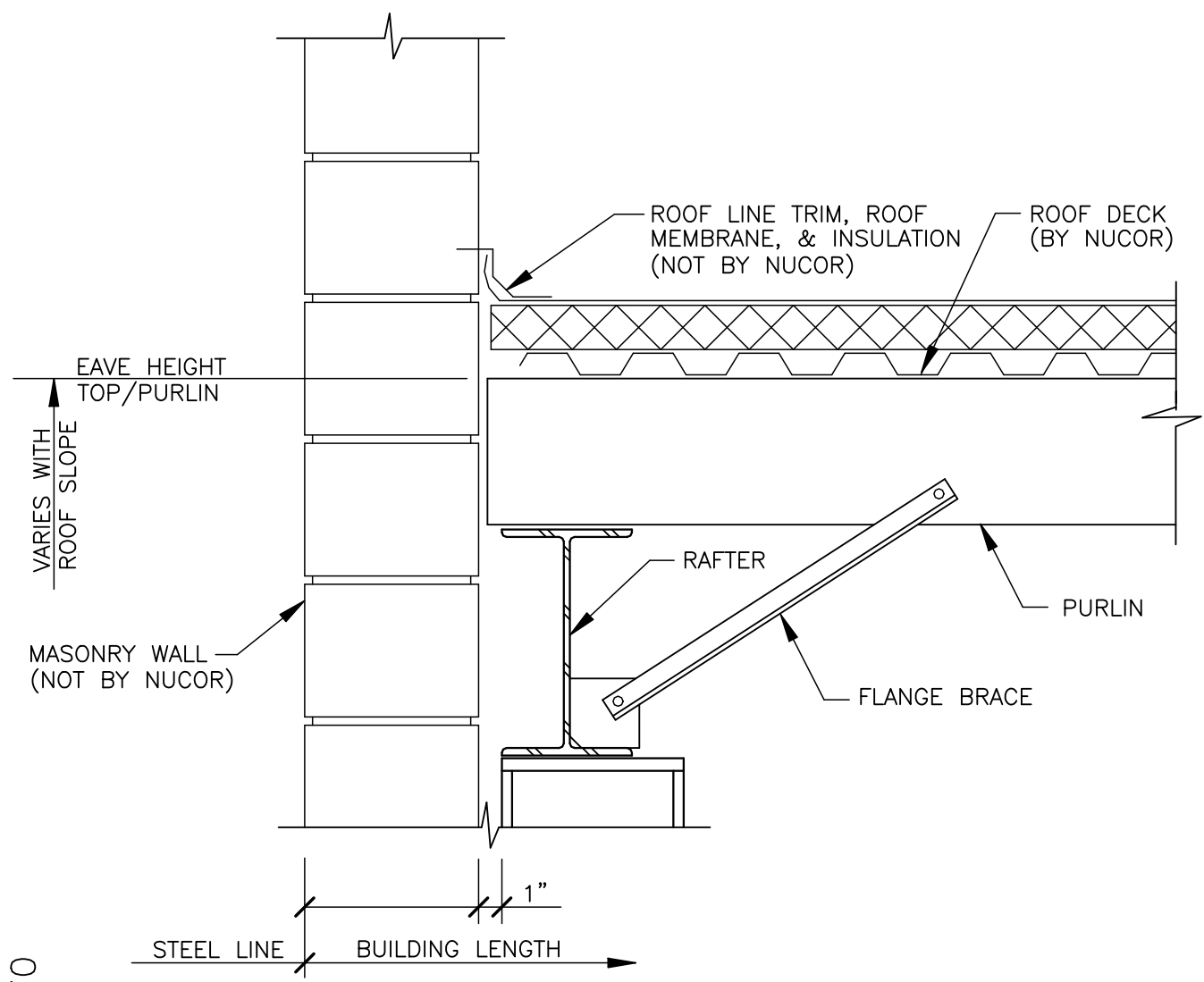
LAST REVISION DATE: <u>03/10/03</u> BY: <u>CDM</u> CHK: <u>RJF</u>	<u>DETAIL NAME IF APPLICABLE</u> LD1060.DWG	4.10.26
--	---	----------------



PRODUCT AND ENGINEERING MANUAL

4.10 NON-LOAD BEARING MASONRY WALL

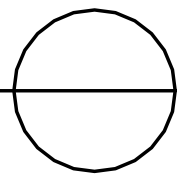
LD1070 – PARAPET, PURLIN BLDG., ROOF NOT BY NBS



LD1070

NON-LOAD BEARING MASONRY WALL DETAIL

PARAPET: ROOF NOT BY NBS, PURLIN ROOF



LAST REVISION
 DATE: 02/09/01
 BY: CDM CHK: RJF

DETAIL NAME IF APPLICABLE
LD1070.DWG

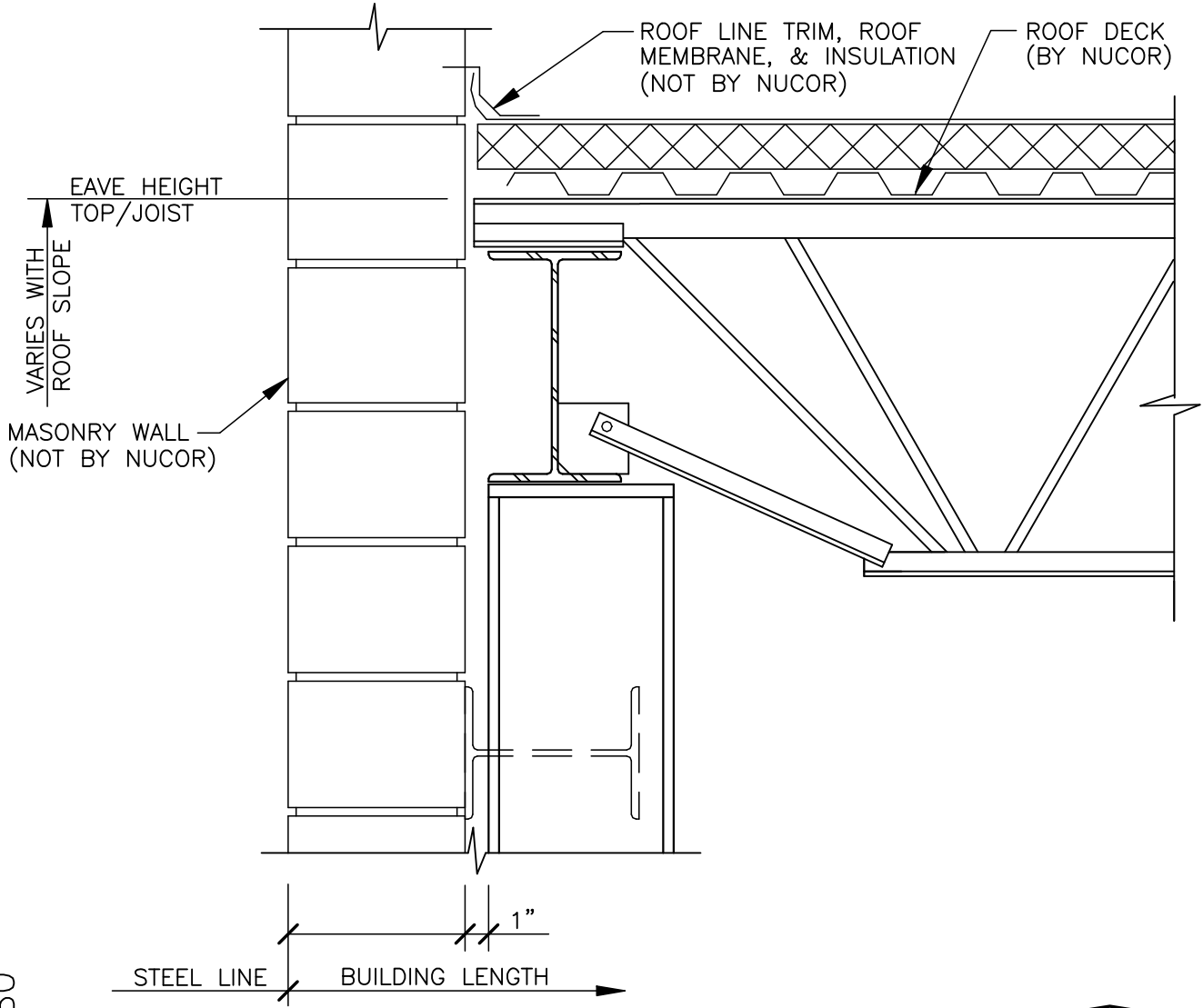
4.10.27



PRODUCT AND ENGINEERING MANUAL

4.10 NON-LOAD BEARING MASONRY WALL

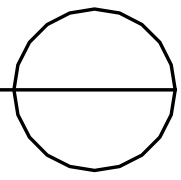
LD1080 – PARAPET, JOIST BLDG., ROOF NOT BY NBS



LD1080

NON-LOAD BEARING MASONRY WALL DETAIL

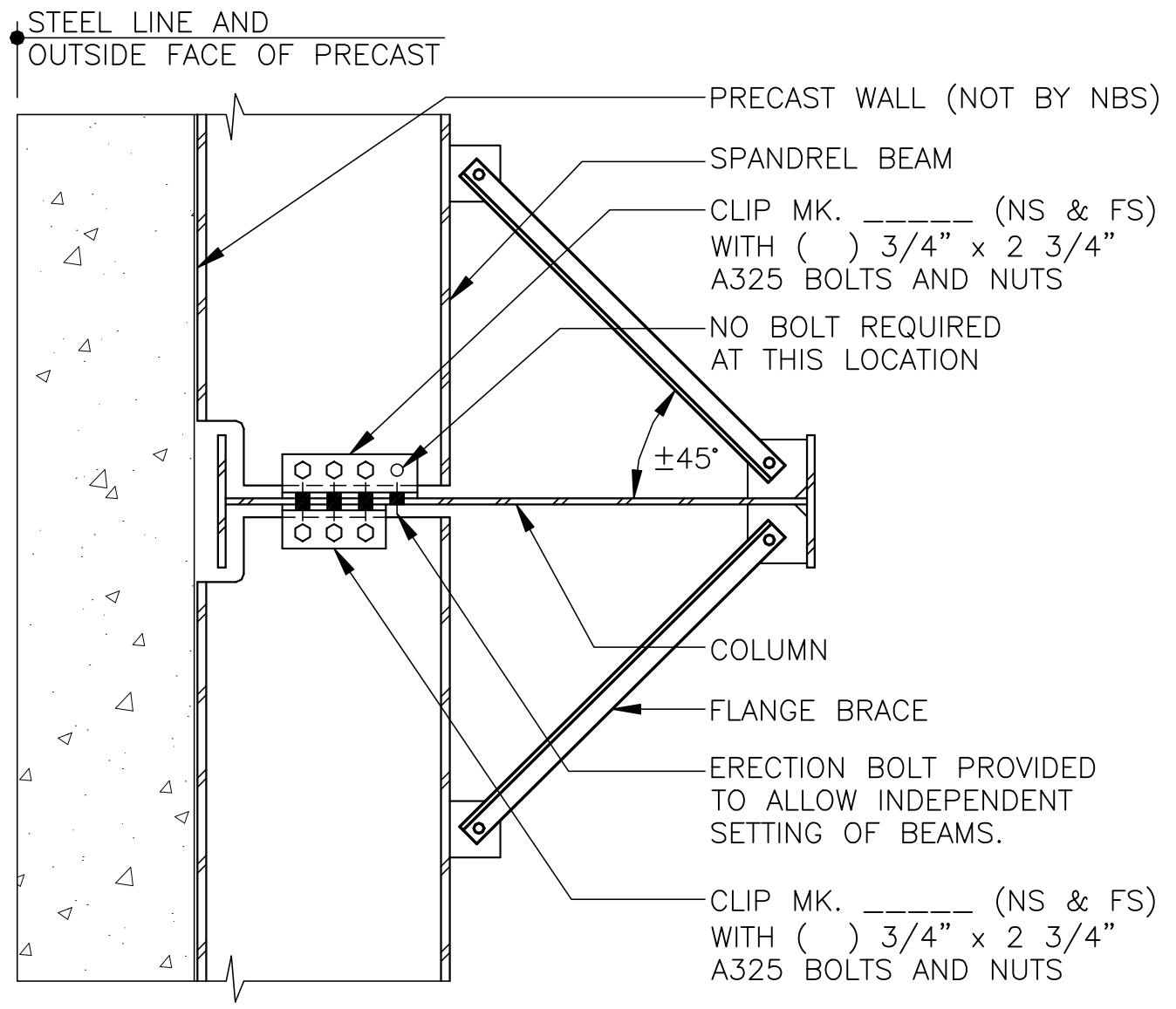
PARAPET: ROOF NOT BY NBS, JOIST ROOF



LAST REVISION DATE: <u>02/09/01</u> BY: <u>CDM</u> CHK: <u>RJF</u>	DETAIL NAME IF APPLICABLE <p style="text-align: center;">LD1080.DWG</p>	<p style="text-align: center;">4.10.28</p>
--	---	---

E. SPANDREL BEAM CONNECTION DETAILS

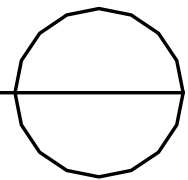
LE0010 – SPANDREL BEAM TO COLUMN CONNECTION



LE0010

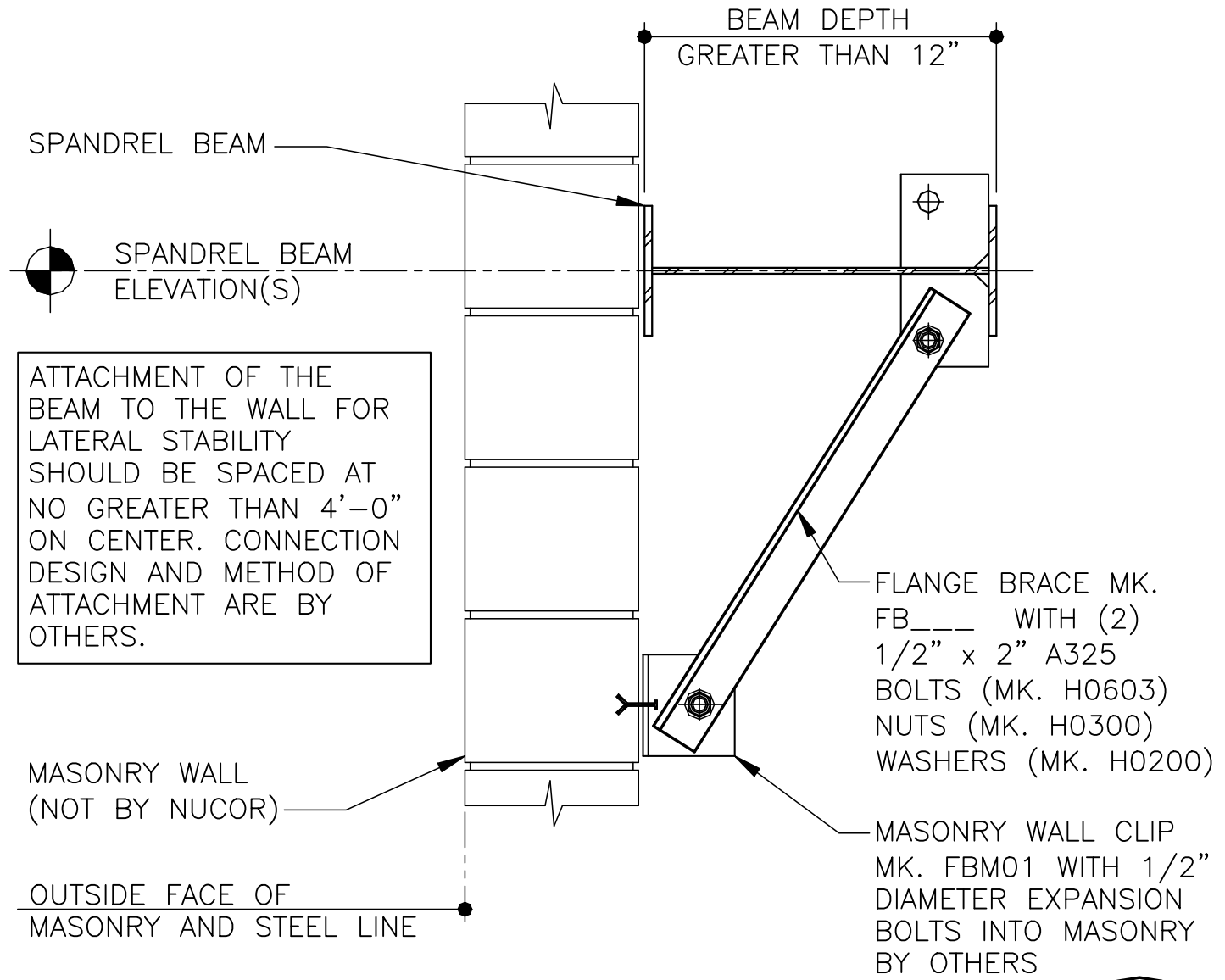
NON-LOAD BEARING MASONRY

SPANDREL BEAM TO COLUMN CONNECTION

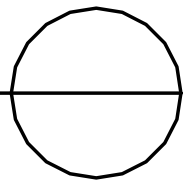


<p>LAST REVISION DATE: <u>01/03/02</u> BY: <u>CDM</u> CHK: <u>RJF</u></p>	<p><u>DETAIL NAME IF APPLICABLE</u> LE0010.DWG</p>	<p>4.10.29</p>
---	--	-----------------------

LE0020 – SPANDREL BEAM TO WALL CONNECTION (WITH EXPANSION ANCHORS)



**SPADREL BEAM TO NON-LOAD
 BEARING MASONRY WALL DETAIL**
 SPANDREL BEAM DEPTH GREATER THAN 12"

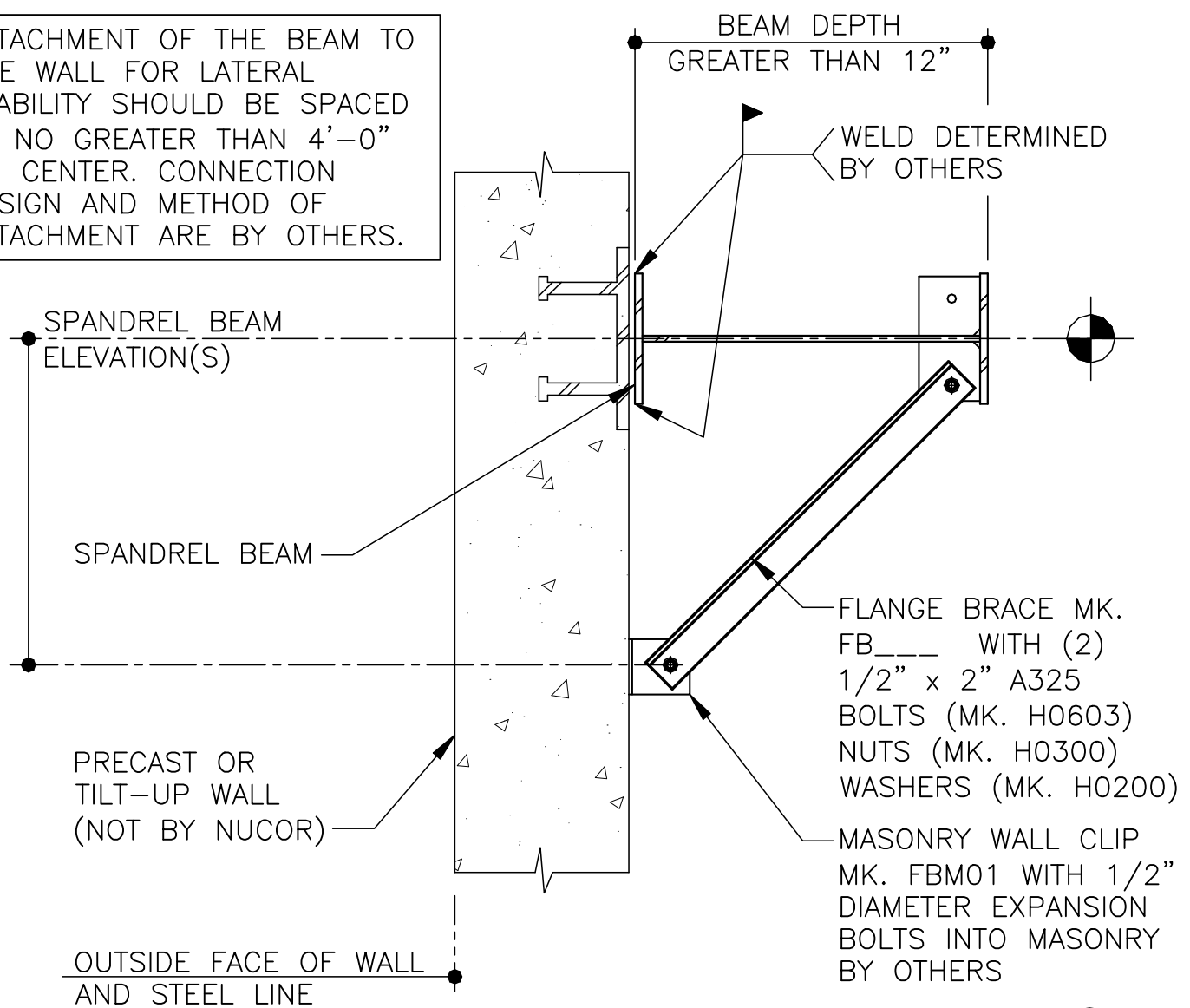


LE0020

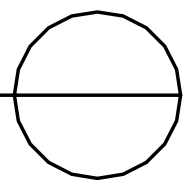
LAST REVISION DATE: <u>01/03/02</u> BY: <u>CDM</u> CHK: <u>RJF</u>	DETAIL NAME IF APPLICABLE <p style="text-align: center;">LE0020.DWG</p>	<p style="text-align: center;">4.10.30</p>
--	---	---

LE0030 – SPANDREL BEAM TO WALL CONNECTION (WELDED TO EMBEDDED PLATE)

ATTACHMENT OF THE BEAM TO THE WALL FOR LATERAL STABILITY SHOULD BE SPACED AT NO GREATER THAN 4'-0" ON CENTER. CONNECTION DESIGN AND METHOD OF ATTACHMENT ARE BY OTHERS.



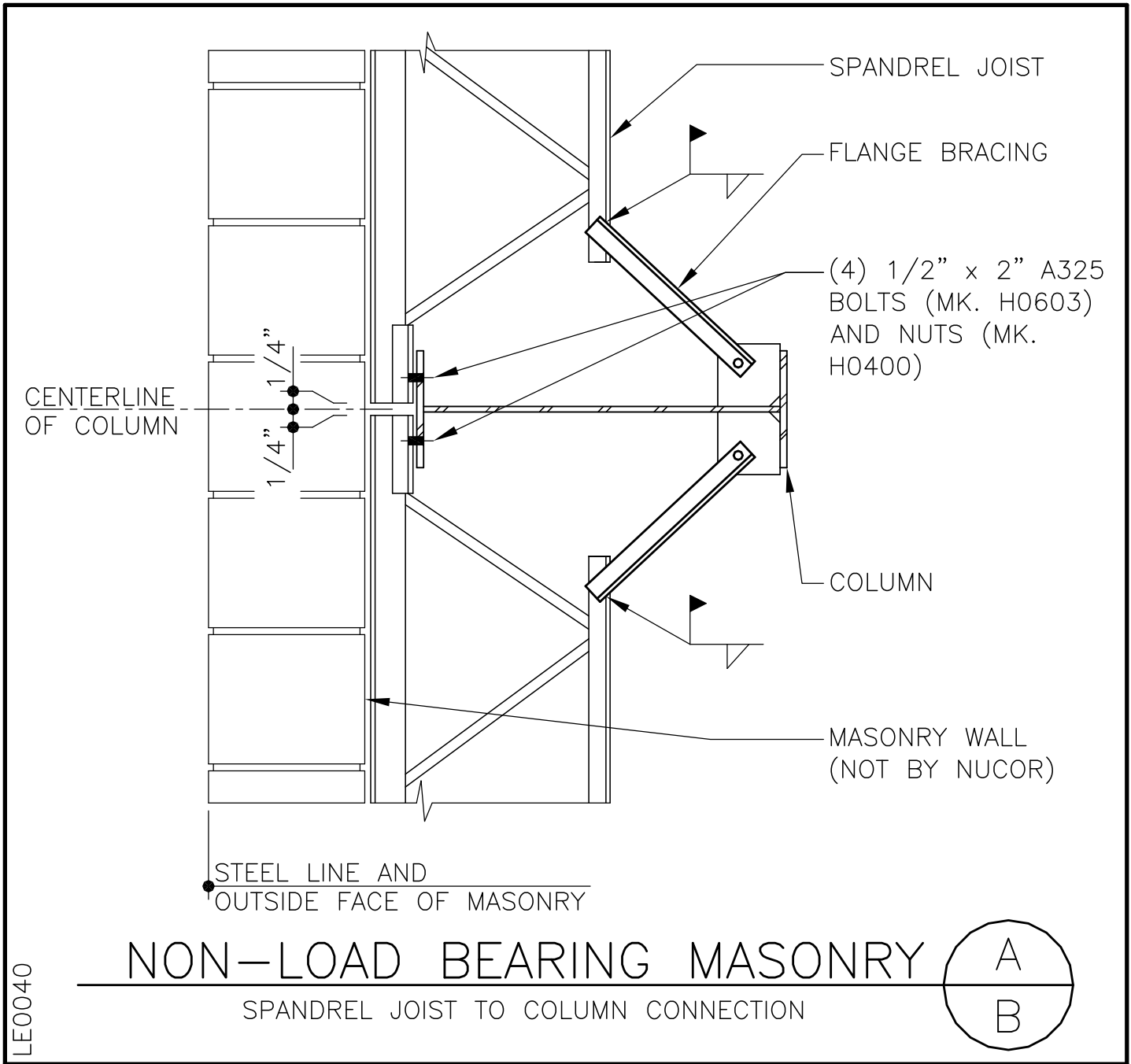
**SPADREL BEAM TO PRECAST
OR TILT-UP WALL DETAIL**
 SPANDREL BEAM DEPTH GREATER THAN 12"



LE0030

LAST REVISION DATE: <u>01/03/02</u> BY: <u>CDM</u> CHK: <u>RJF</u>	<u>DETAIL NAME IF APPLICABLE</u> LE0030.DWG	4.10.31
--	---	----------------

LE0040 – SPANDREL JOIST TO COLUMN CONNECTION



LAST REVISION DATE: <u>10/21/09</u> BY: <u>DLC</u> CHK: <u>AES</u>
--

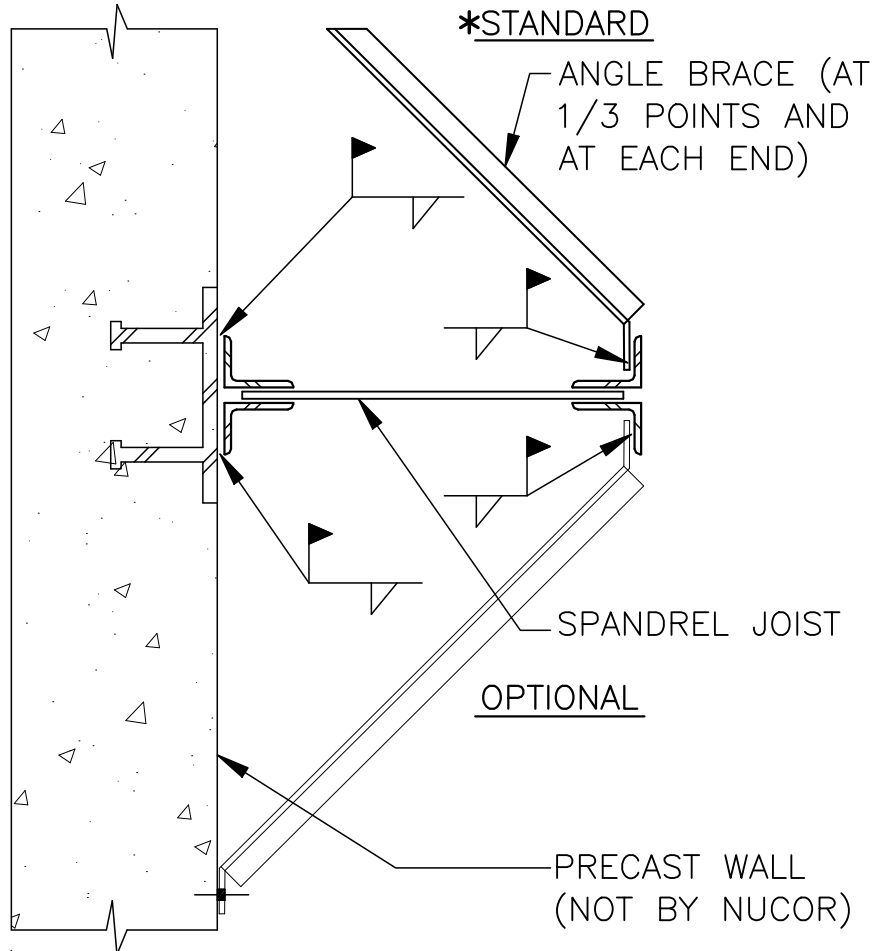
<u>DETAIL NAME IF APPLICABLE</u> LE0040.DWG

4.10.32

LE0050 – SPANDREL JOIST TO WALL CONNECTION (WELDED TO EMBEDDED PLATE)

*STANDARD ANGLE ATTACHMENT IS ABOVE THE SPANDREL JOIST. ALTERNATE DETAIL IS TO PLACE THE ANGLE BELOW THE JOIST

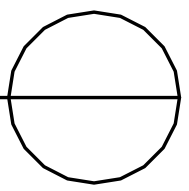
SPANDREL JOIST ELEVATION(S)



STEEL LINE AND OUTSIDE FACE OF PRECAST

NON-LOAD BEARING MASONRY

SPANDREL JOIST TO WALL (WELDED TO EMBEDDED PLATE)

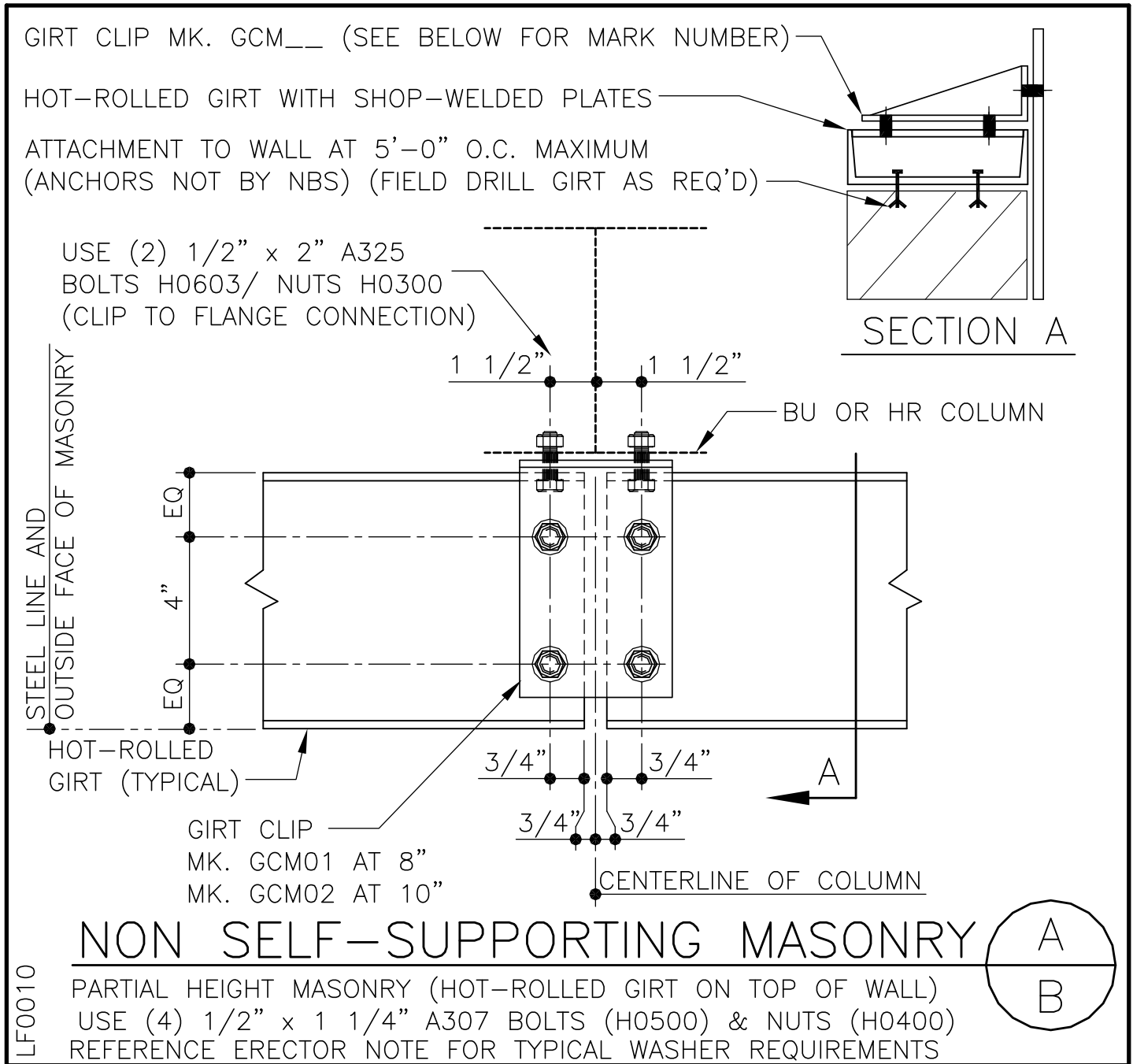


LE0050

<p>LAST REVISION DATE: <u>01/03/02</u> BY: <u>CDM</u> CHK: <u>RJF</u></p>	<p><u>DETAIL NAME IF APPLICABLE</u> LE0050.DWG</p>	<p>4.10.33</p>
---	--	-----------------------

E: SPANDREL GIRT ATTACHMENT DETAILS

LF0010 – PARTIAL HEIGHT MASONRY (HOT-ROLLED CEE GIRT ON TOP OF WALL)



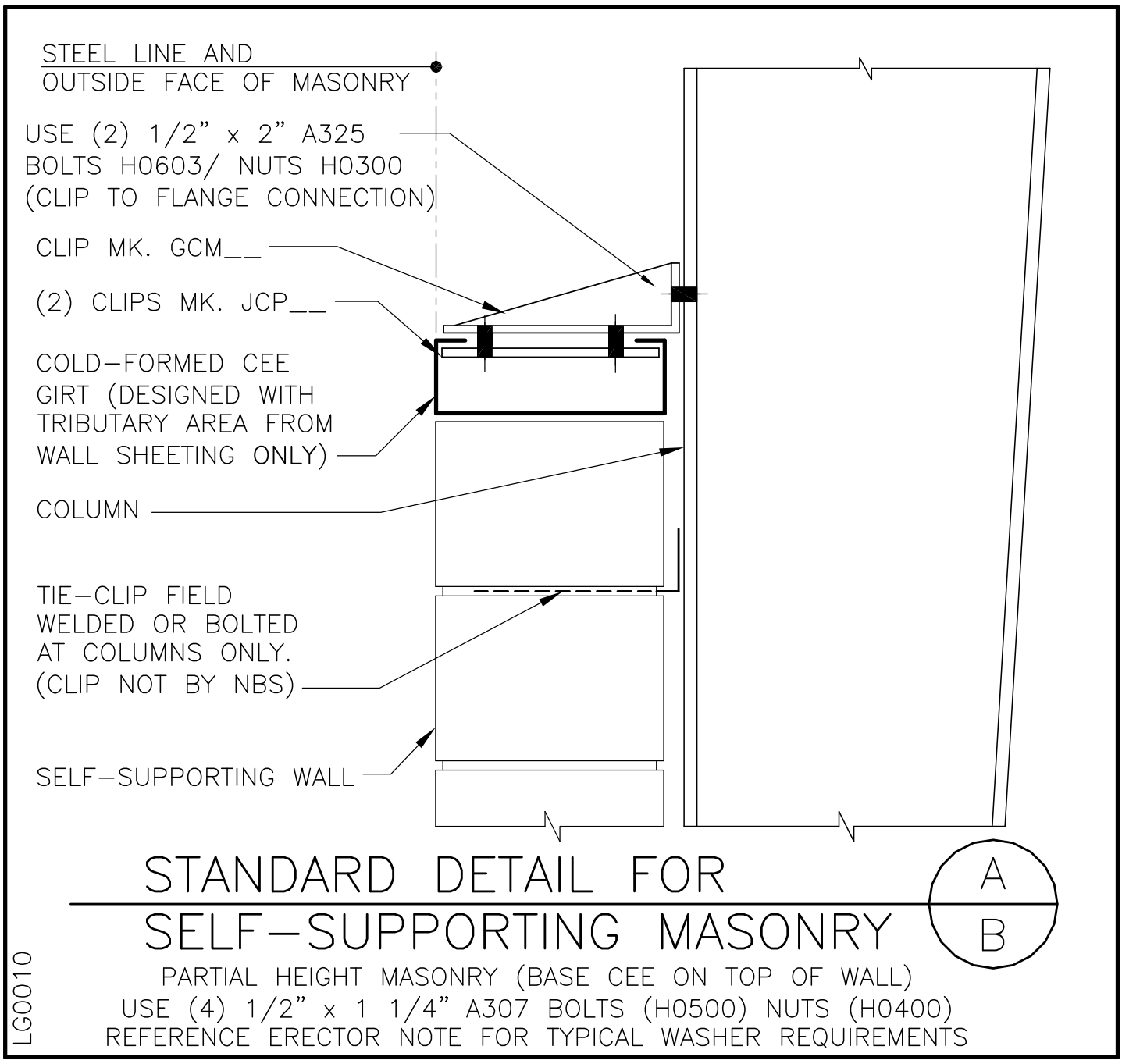


PRODUCT AND ENGINEERING MANUAL

4.10 NON-LOAD BEARING MASONRY WALL

G: SHEAR WALL DETAILS

LG0010 – PARTIAL HEIGHT MASONRY (COLD-FORMED CEE GIRT ON TOP OF WALL)



LAST REVISION
DATE: 02/23/10
BY: DLC CHK: AES

DETAIL NAME IF APPLICABLE
LG0010.DWG

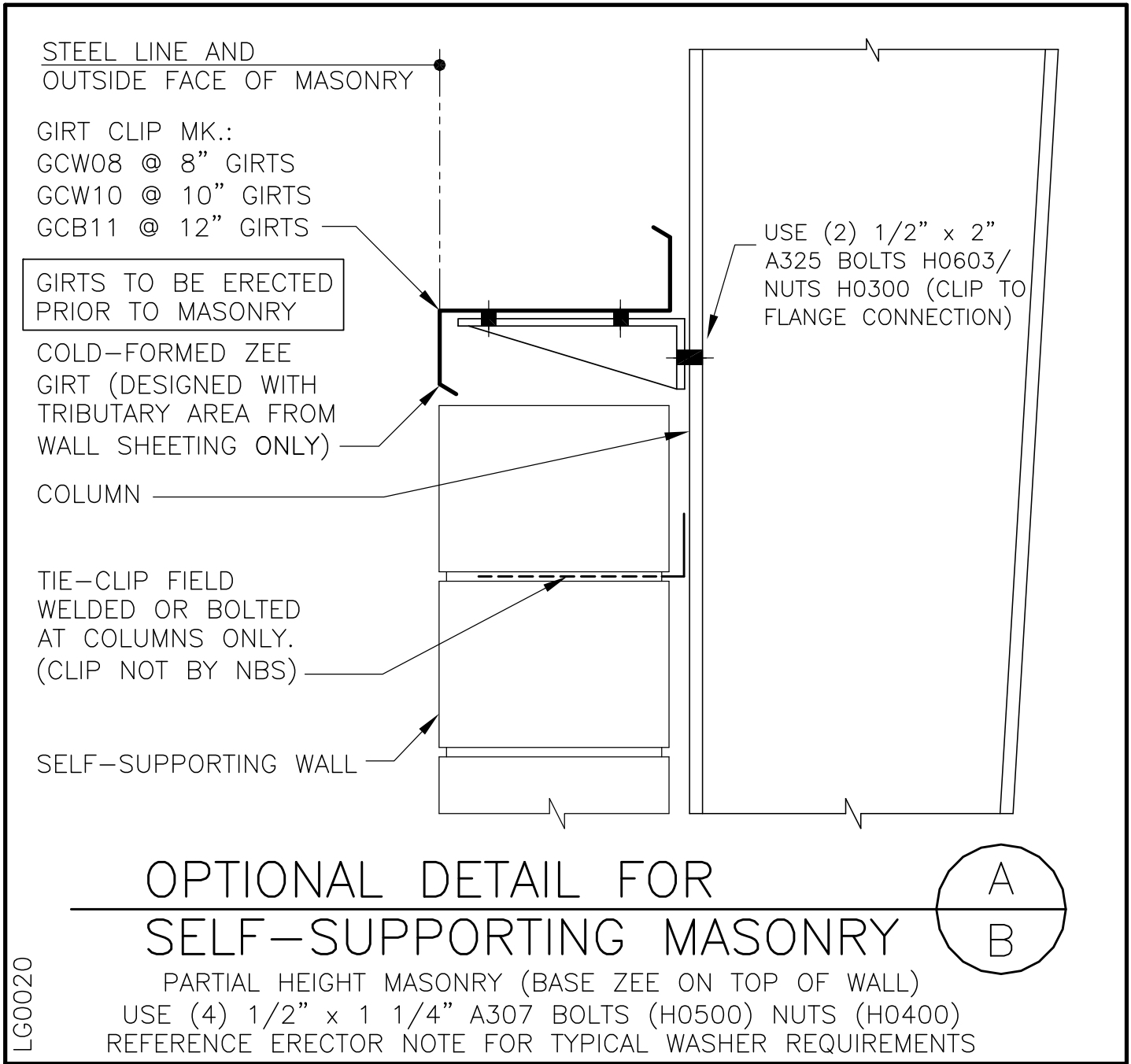
4.10.35



PRODUCT AND ENGINEERING MANUAL

4.10 NON-LOAD BEARING MASONRY WALL

LG0020 – PARTIAL HEIGHT MASONRY (COLD-FORMED ZEE GIRT ON TOP OF WALL)



LAST REVISION
DATE: 02/23/10
BY: DLC CHK: AES

DETAIL NAME IF APPLICABLE
LG0020.DWG

4.10.36