



TABLE OF CONTENTS

Table of Contents 1

AS0010 – Post and Beam Endwall, Bypass Girts 2

AS0020 – Post and Beam Endwall, Inset Girts 3

AS0030 – Post and Beam Endwall, Flush Girts 4

AS0040 – High Eave, Bypass Girts 5

AS0050 – High Eave, Inset Girts 6

AS0060 – High Eave, Flush Girts 7

AS0070 – Rigid Frame Endwall, 8” Bypass Girts 8

AS0080 – Rigid Frame Endwall, 10” Bypass Girts 9

AS0090 – Rigid Frame Endwall, Inset Girts 10

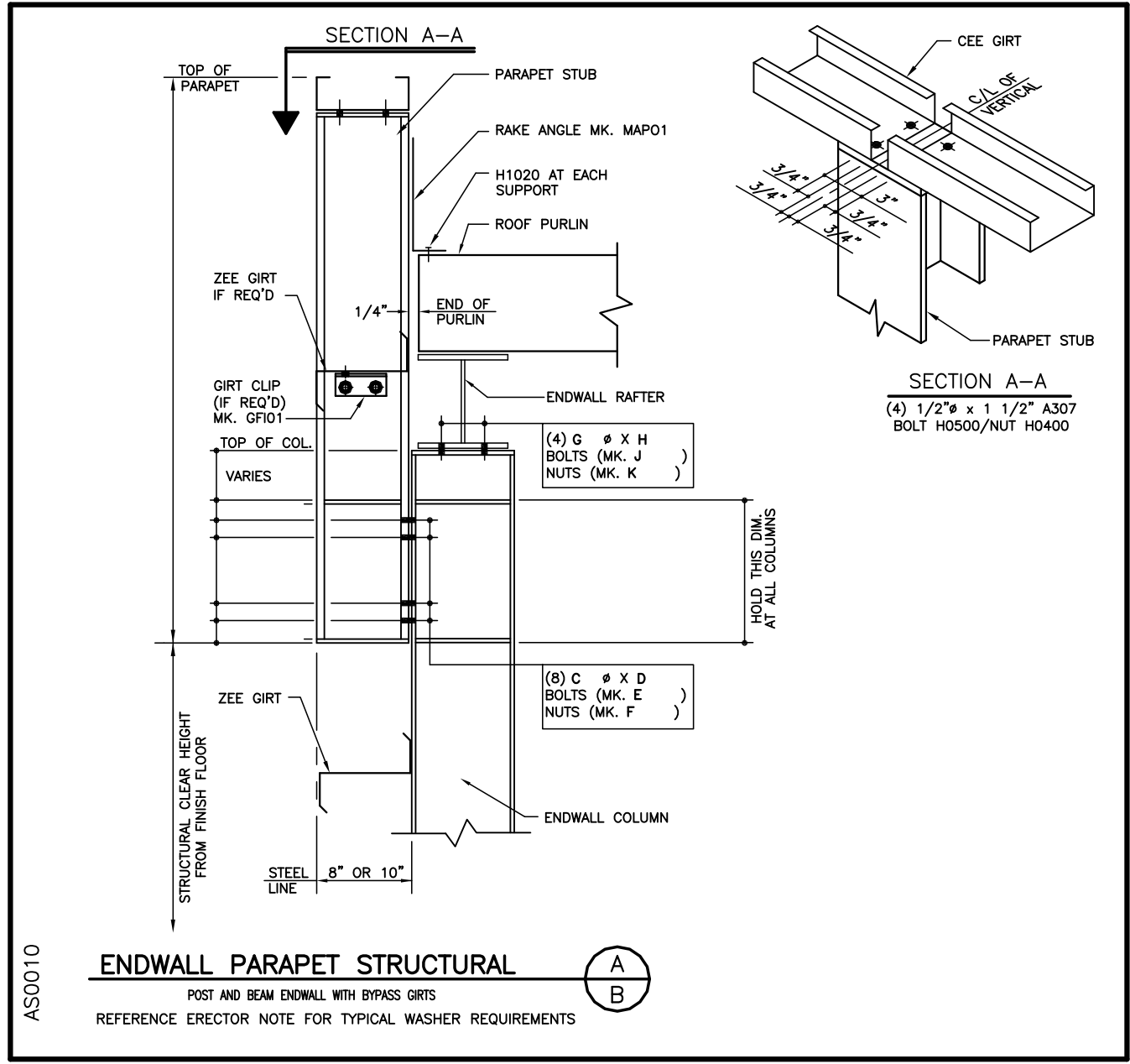
AS0100 – Rigid Frame Endwall, Flush Girts 11

AS0110 – Low Eave, Bypass Girts 12

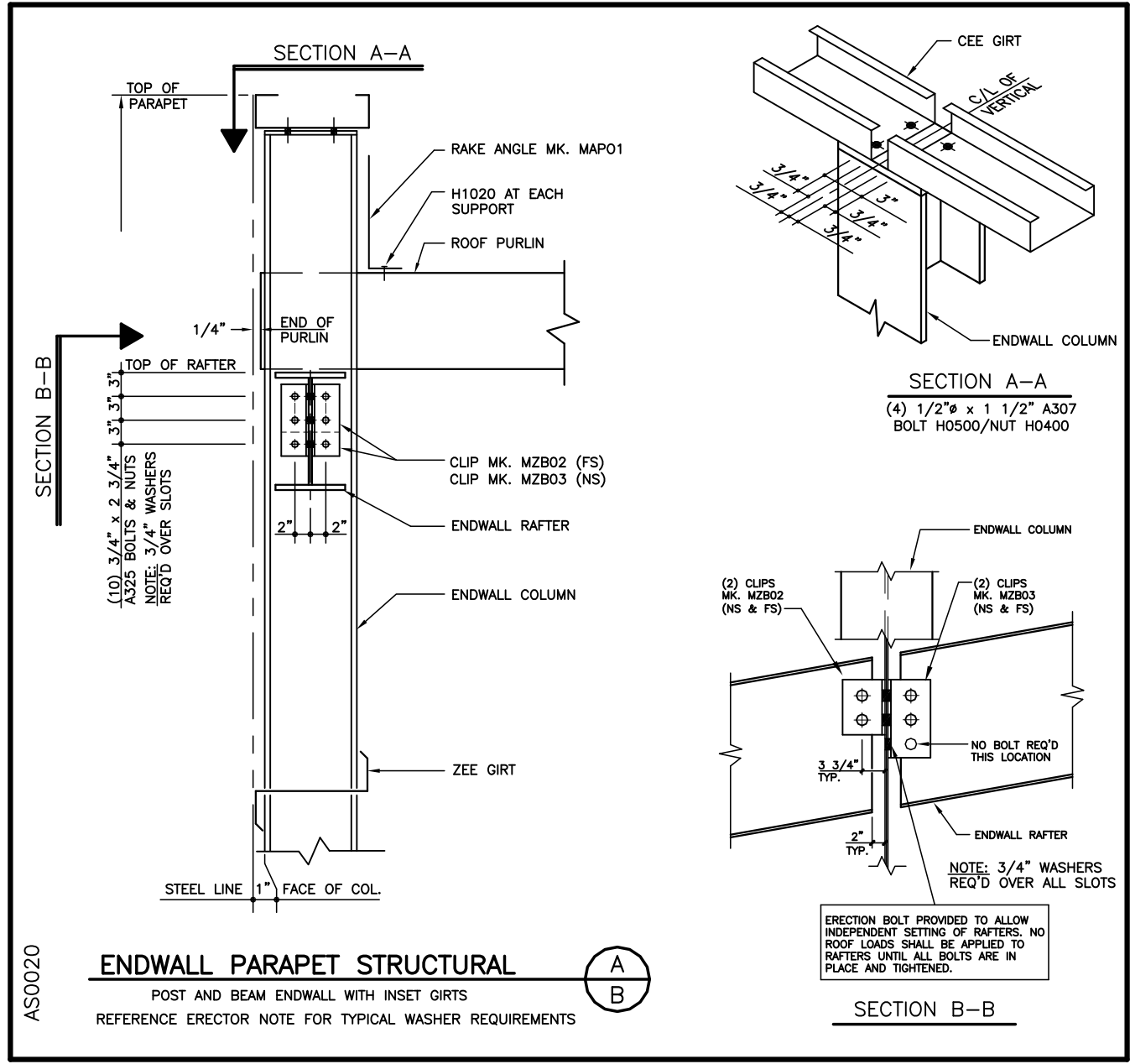
AS0120 – Low Eave, Inset Girts 13

AS0130 – Low Eave, Flush Girts 14

AS0010 – POST AND BEAM ENDWALL, BYPASS GIRTS



AS0020 – POST AND BEAM ENDWALL, INSET GIRTS

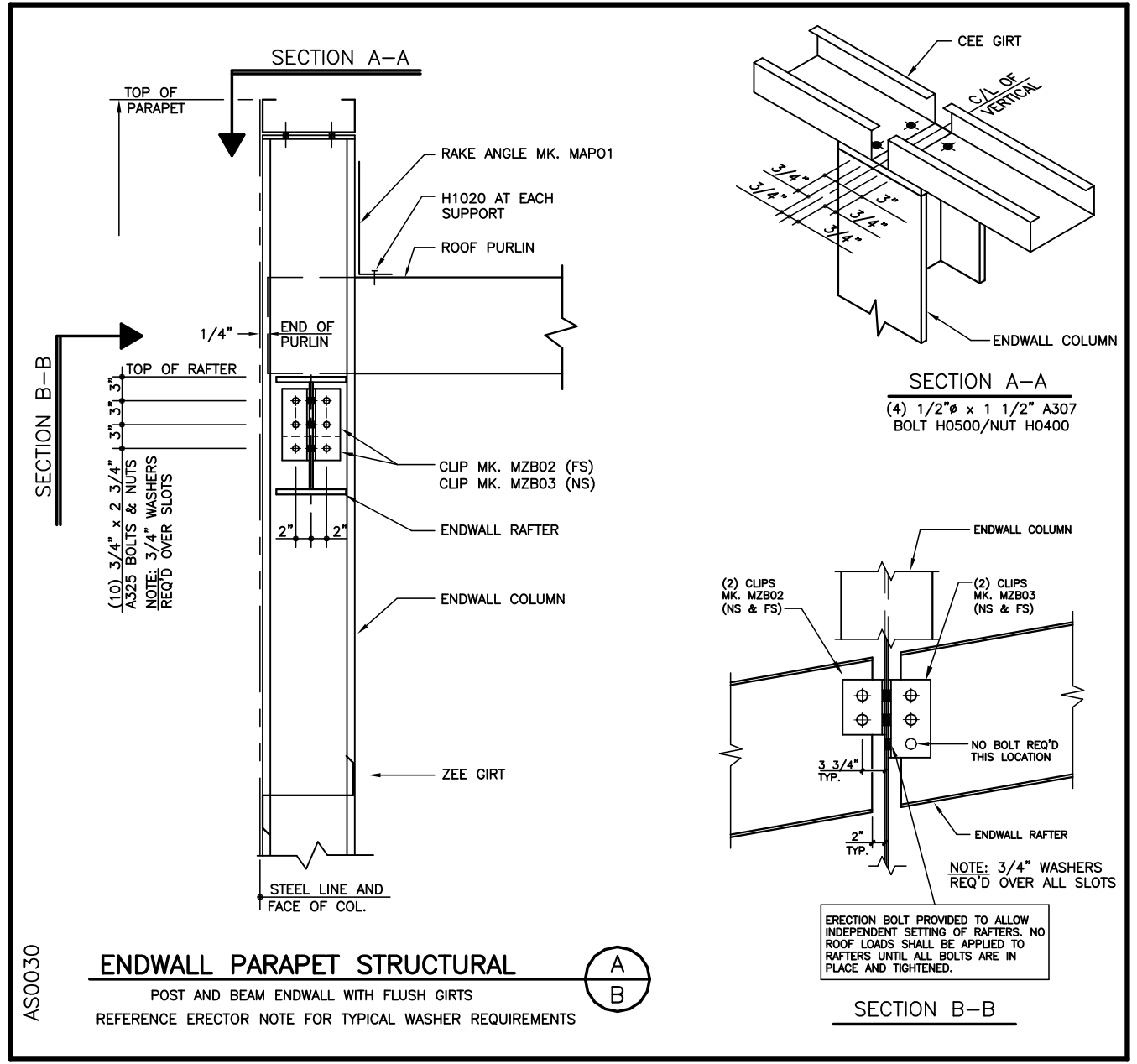


LAST REVISION
DATE: 02/27/08
BY: KMC CHK: RJF

DETAIL NAME IF APPLICABLE
AS0020.DWG

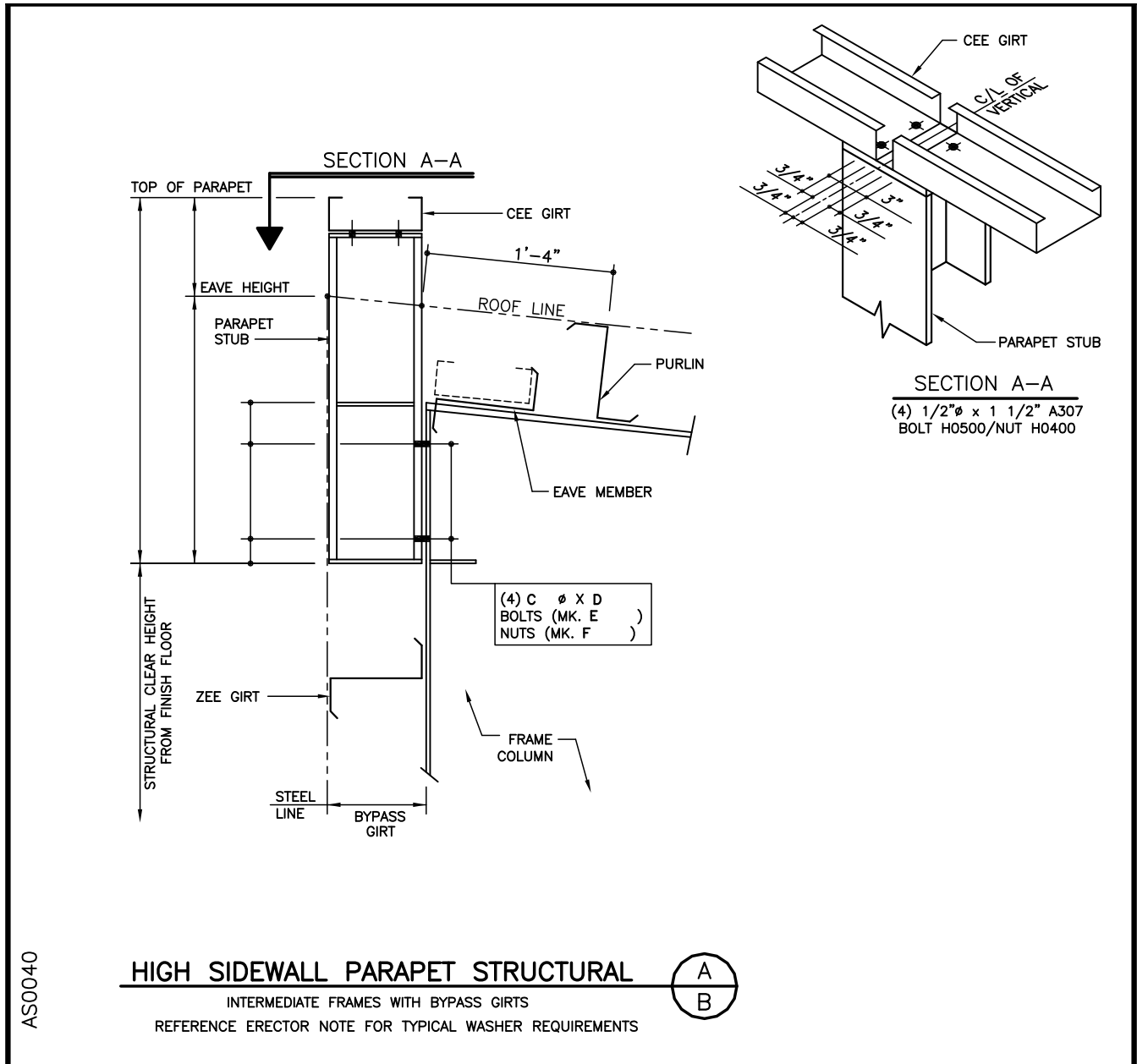
4.11.3

AS0030 – POST AND BEAM ENDWALL, FLUSH GIRTS



LAST REVISION DATE: <u>02/27/08</u> BY: <u>KMC</u> CHK: <u>RJF</u>	DETAIL NAME IF APPLICABLE AS0030.DWG	4.11.4
--	--	--

AS0040 – HIGH EAVE, BYPASS GIRTS



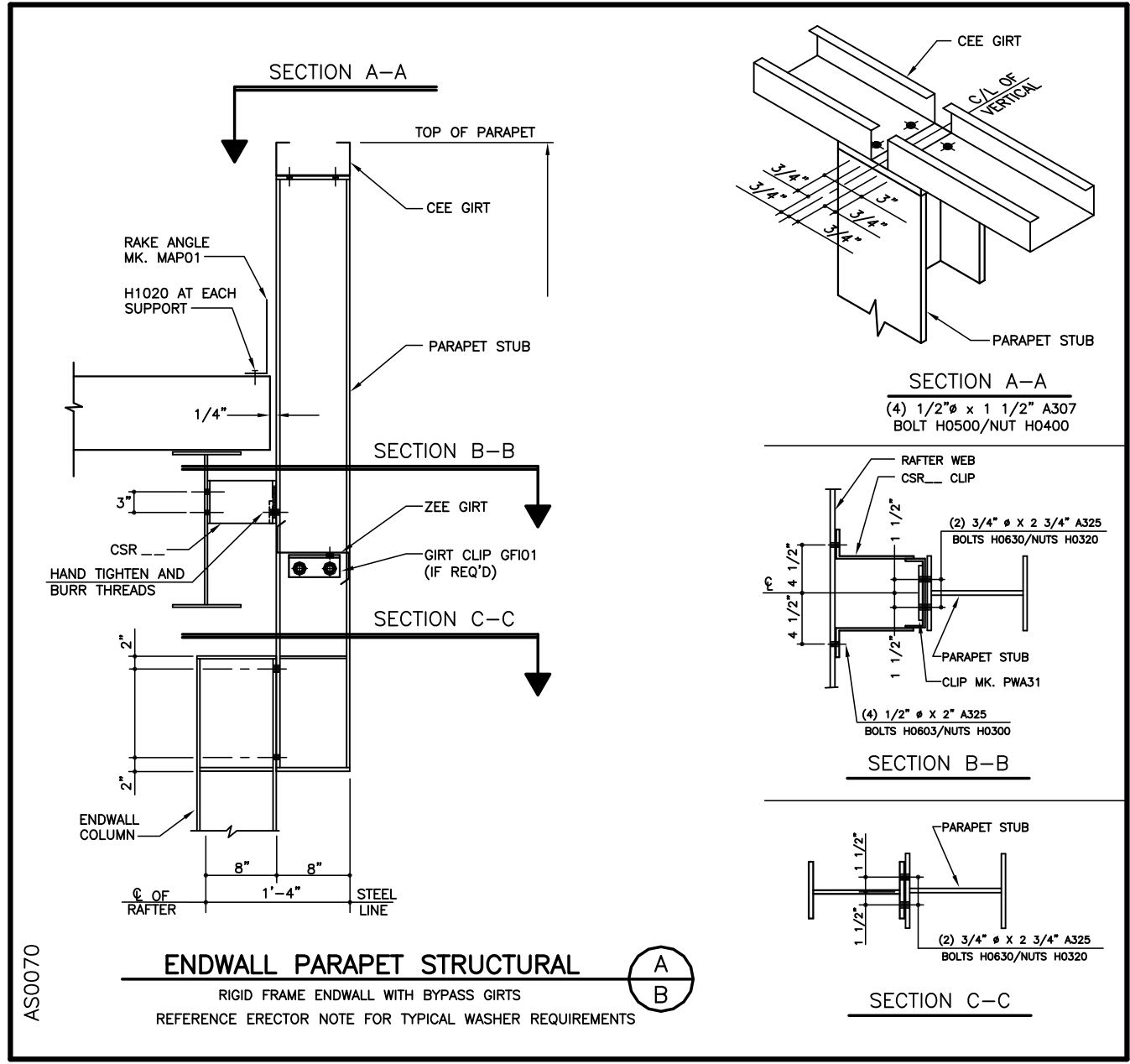
LAST REVISION
 DATE: 04/17/09
 BY: AES_CHK:

DETAIL NAME IF APPLICABLE

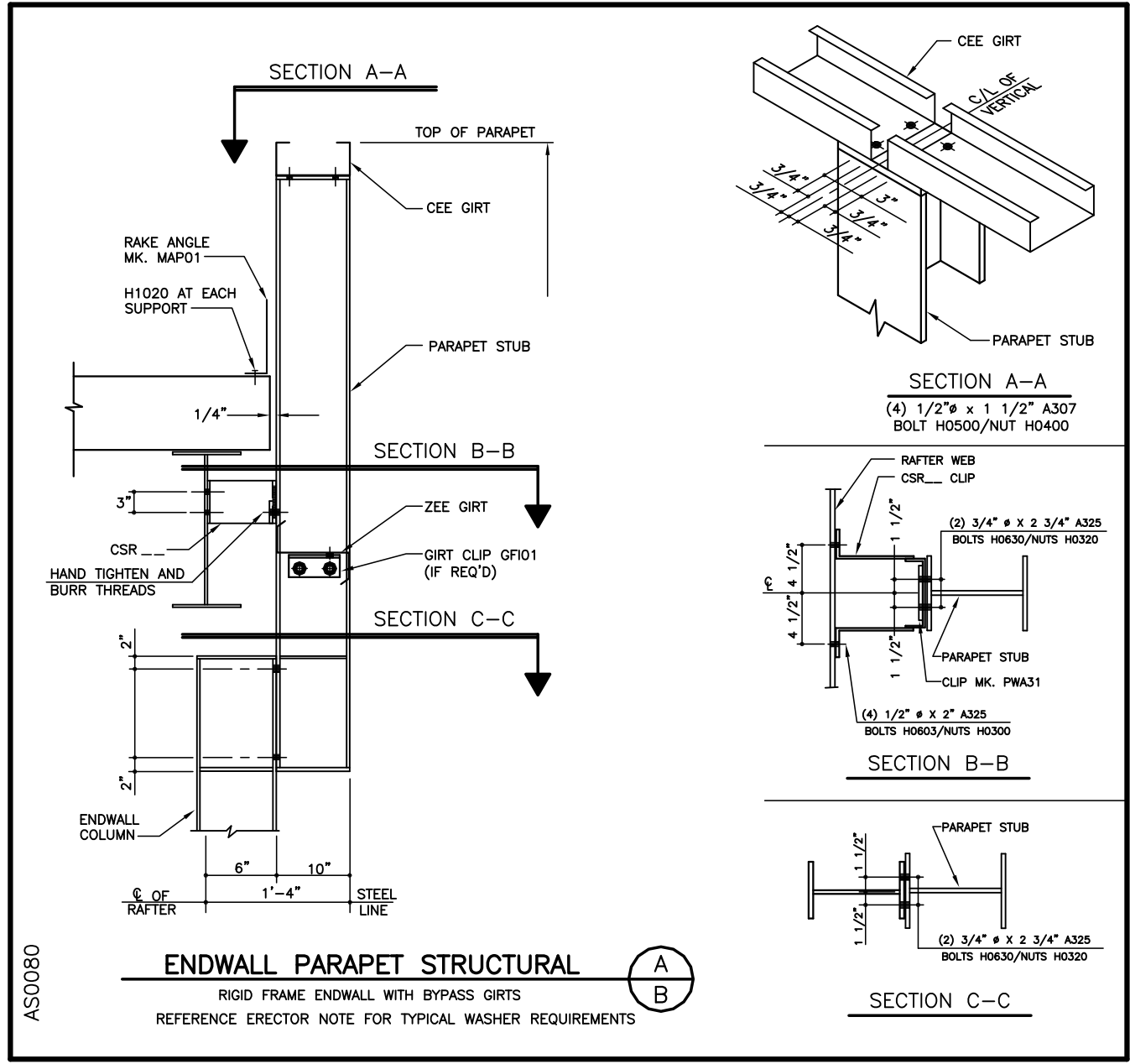
AS0040.DWG

4.11.5

AS0070 – RIGID FRAME ENDWALL, 8” BYPASS GIRTS

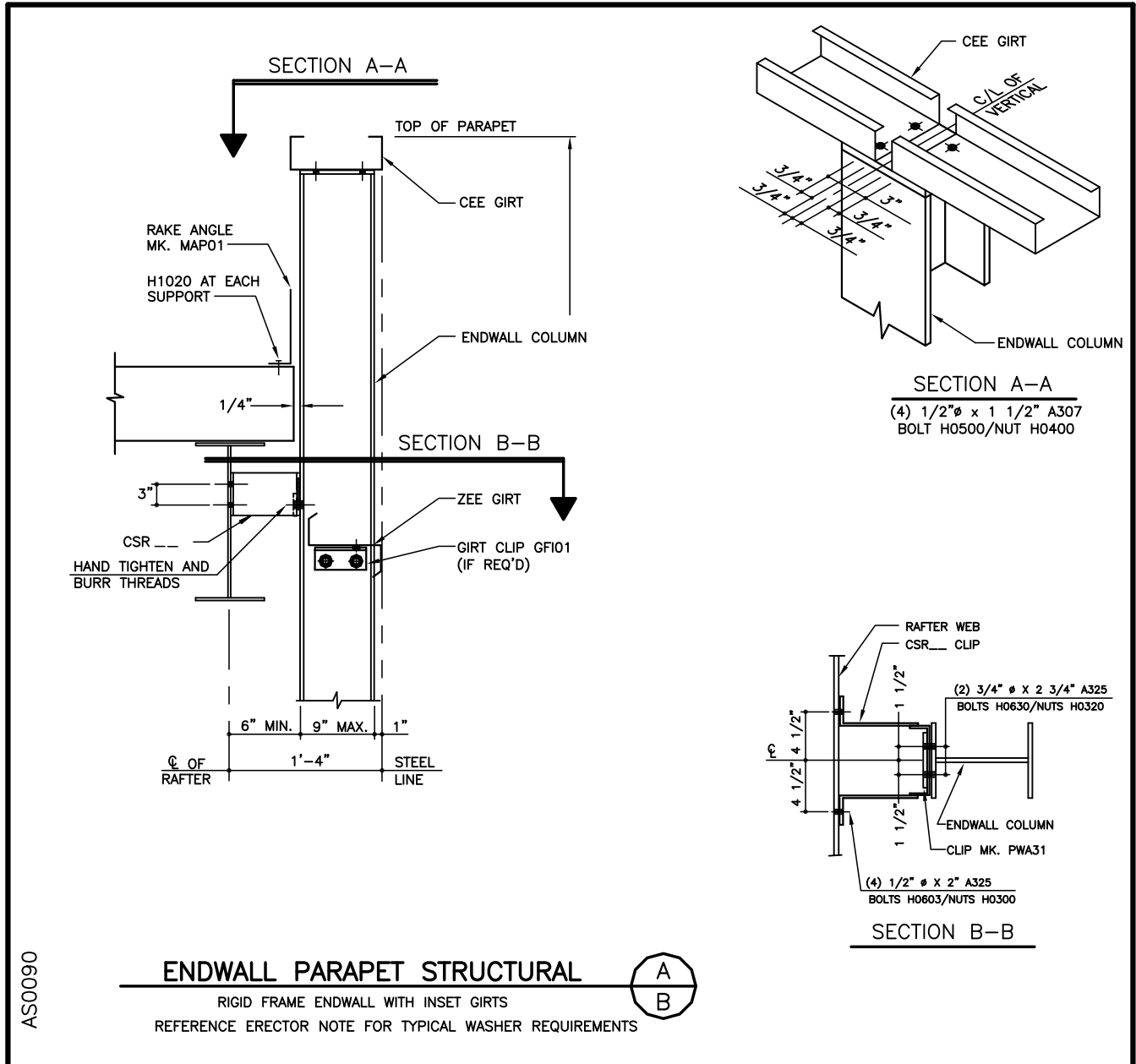


AS0080 – RIGID FRAME ENDWALL, 10" BYPASS GIRTS



LAST REVISION DATE: <u>02/27/08</u> BY: <u>KMC</u> CHK: <u>RJF</u>	<u>DETAIL NAME IF APPLICABLE</u> <b style="color: blue;">AS0080.DWG	4.11.9
--	--	---------------

AS0090 – RIGID FRAME ENDWALL, INSET GIRTS

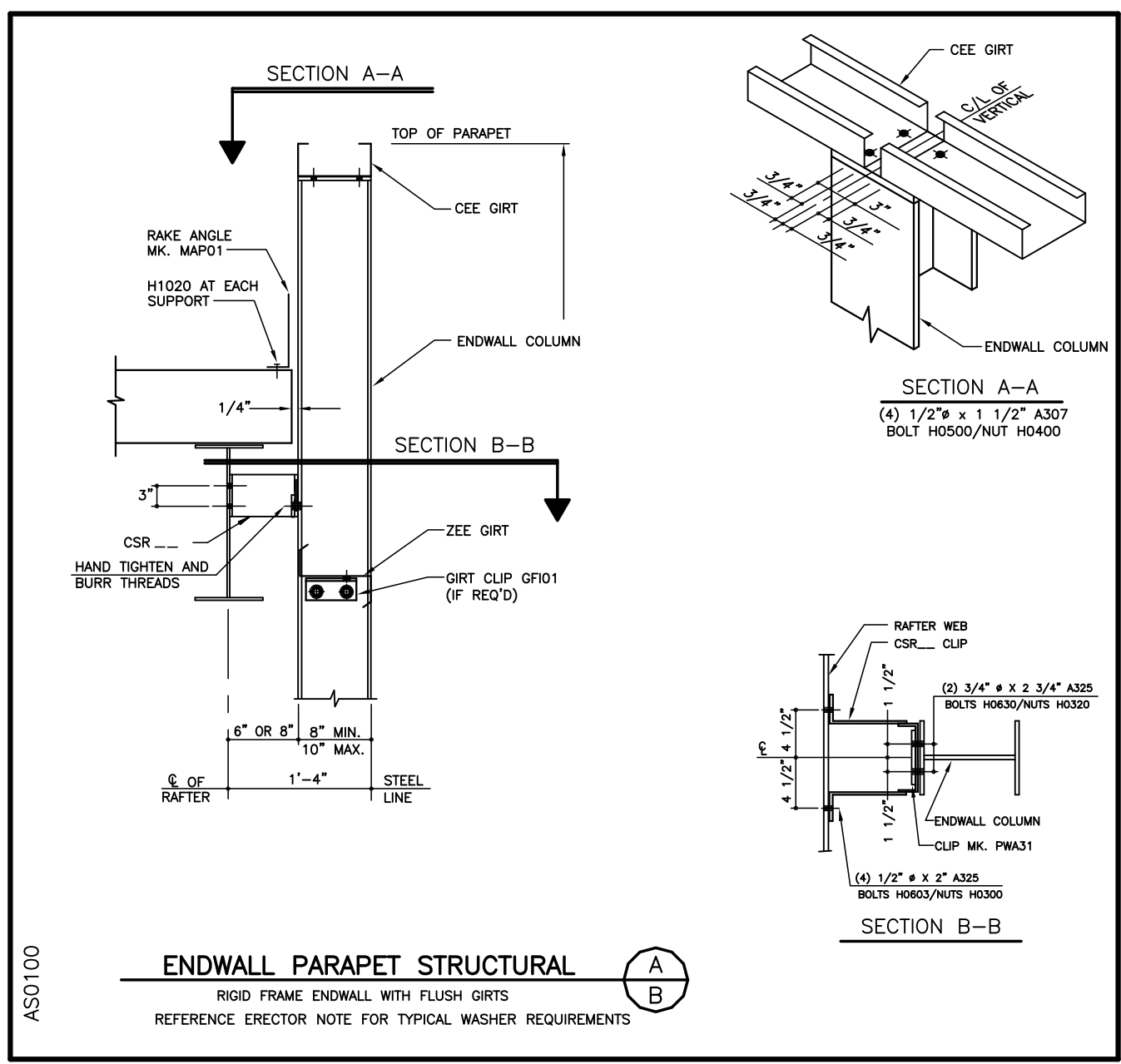


LAST REVISION
 DATE: 02/27/08
 BY: KMC CHK: RJF

DETAIL NAME IF APPLICABLE
AS0090.DWG

4.11.10

AS0100 – RIGID FRAME ENDWALL, FLUSH GIRTS

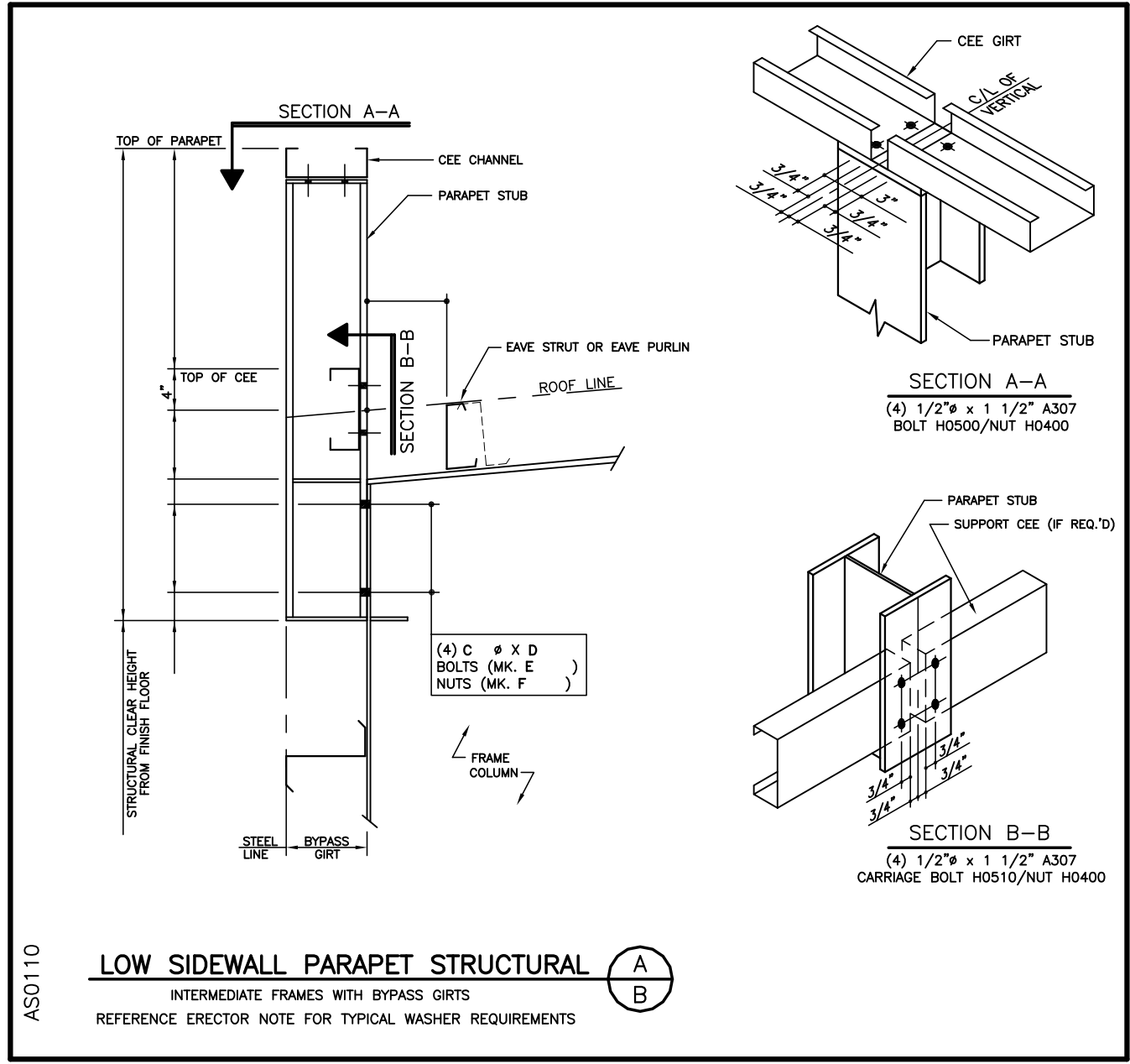


LAST REVISION
 DATE: 02/27/08
 BY: KMC CHK: RJF

DETAIL NAME IF APPLICABLE
AS0100.DWG

4.11.11

AS0110 – LOW EAVE, BYPASS GIRTS

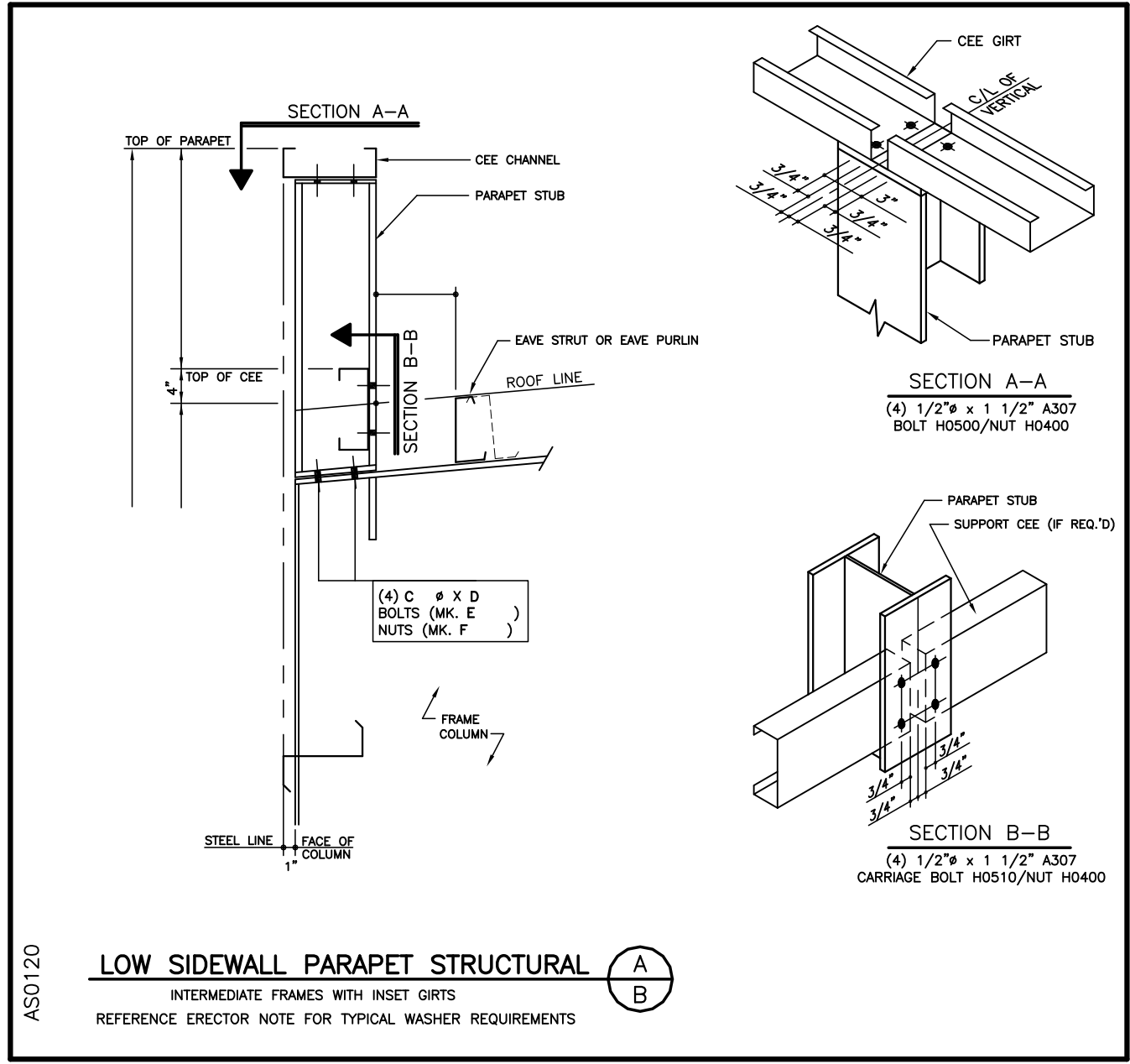


AS0110

A
B

LAST REVISION DATE: <u>02/27/08</u> BY: <u>KMC</u> CHK: <u>RJF</u>	DETAIL NAME IF APPLICABLE AS0110.DWG	4.11.12
--	--	---

AS0120 – LOW EAVE, INSET GIRTS



LAST REVISION
 DATE: 02/27/08
 BY: KMC CHK: RJF

DETAIL NAME IF APPLICABLE
AS0120.DWG

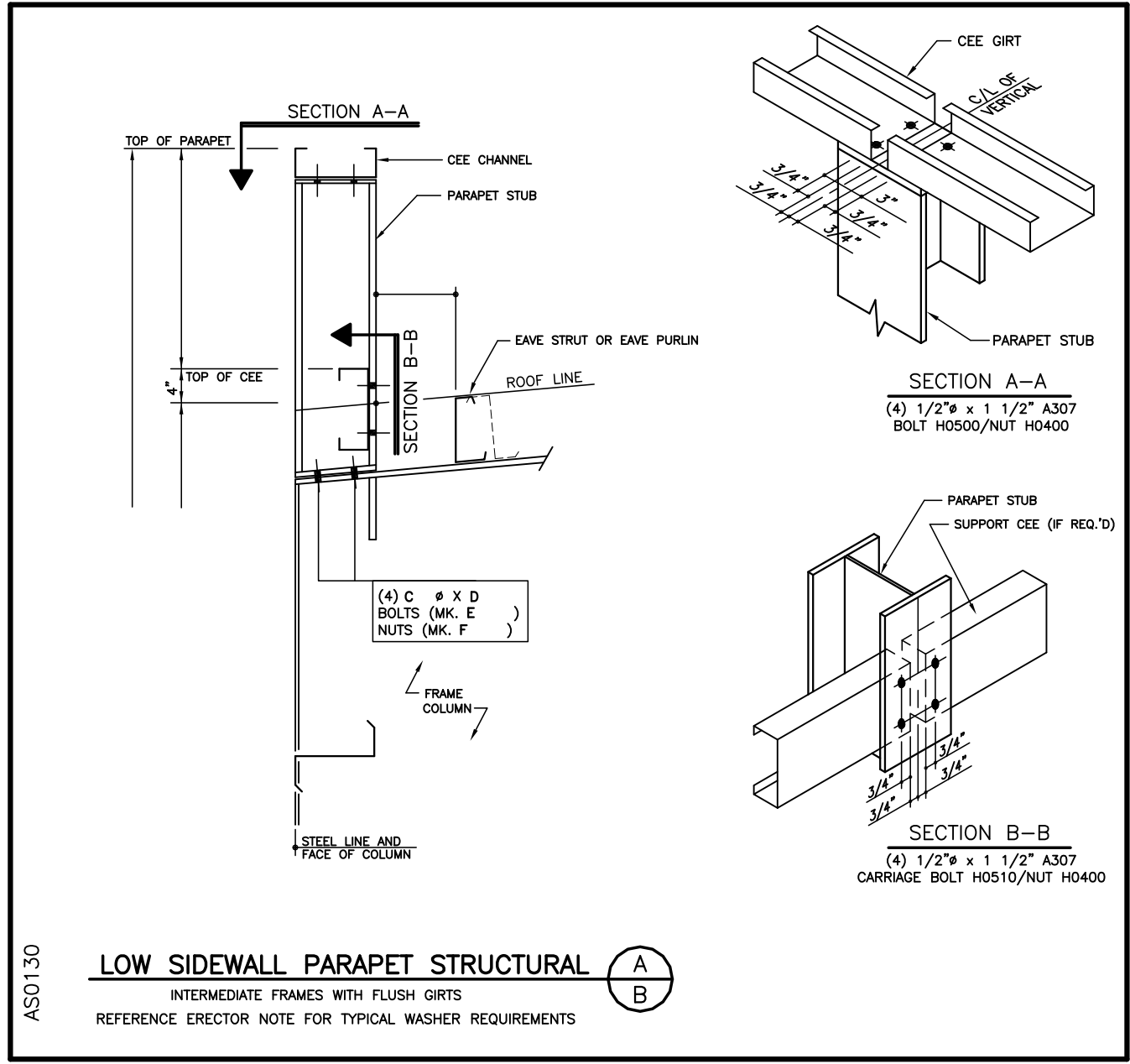
4.11.13



PRODUCT AND ENGINEERING MANUAL

4.11 STRUCTURAL PARAPET DETAILS

AS0130 – LOW EAVE, FLUSH GIRTS



LAST REVISION DATE: 02/27/08 BY: KMC CHK: RJF	DETAIL NAME IF APPLICABLE AS0130.DWG	4.11.14
---	--	----------------