



**TABLE OF CONTENTS**

Table of Contents ..... 1

AT0010 – Rafter to Flange – Both Sides of Column ..... 2

AT0020 – Rafter to Flange – One Side of Column ..... 3

AT0030 – Ridge Connection at Column Flanges ..... 4

AT0040 – Low Eave at Column Flange with Clip ..... 5

AT0050 – High Eave at Column Flange with Clip ..... 6

AT0060 – Rafter to Web – Both Sides of Column ..... 7

AT0070 – Rafter to Web – One Side of Column ..... 8

AT0080 – Ridge Connection at Column Web ..... 9

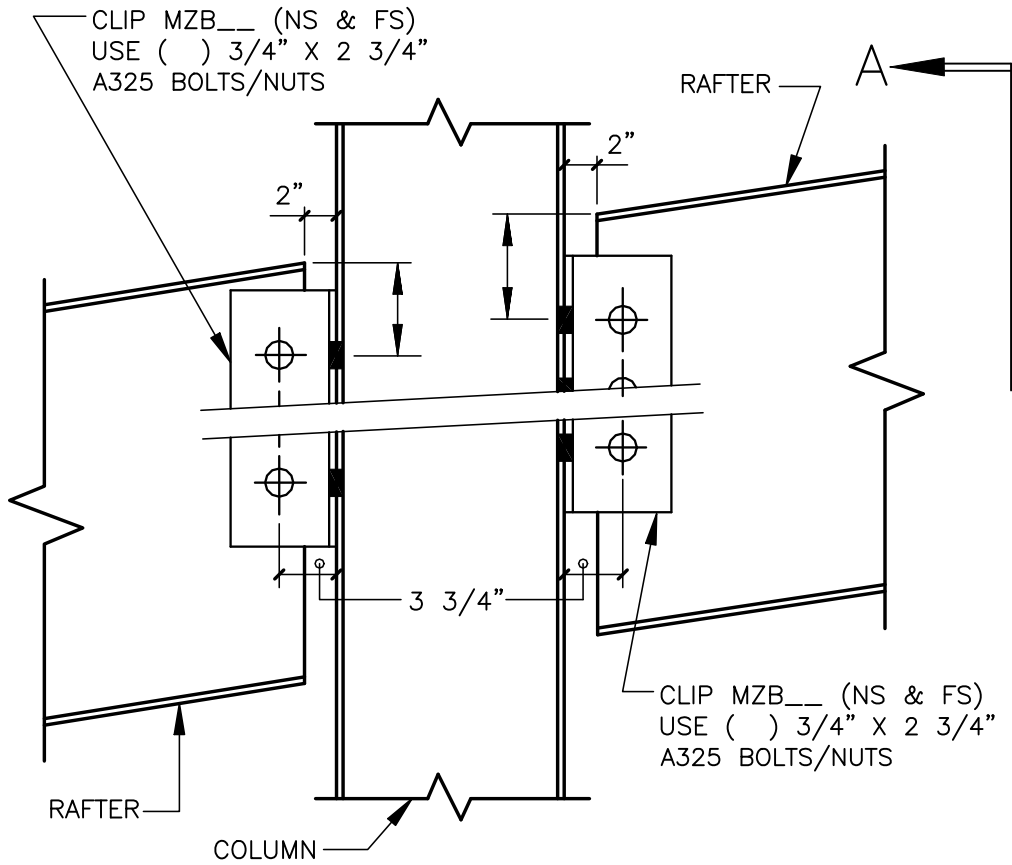
AT0090 – Low Eave at Column Web with Clip ..... 10

AT0100 – High Eave at Column Web with Clip ..... 11

AT0110 – Low Eave at Column Web with Stub ..... 12

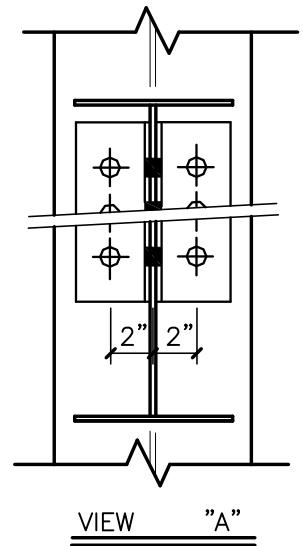
AT0120 – High Eave at Column Web with Stub ..... 13

### AT0010 – RAFTER TO FLANGE – BOTH SIDES OF COLUMN



**NOTE:**

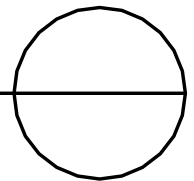
3/4" WASHERS  
REQUIRED OVER  
ALL SLOTS.



AT0010

## AUXILIARY RAFTER CONNECTION DETAIL

RAFTER TO FLANGE OF FULL HEIGHT COLUMN



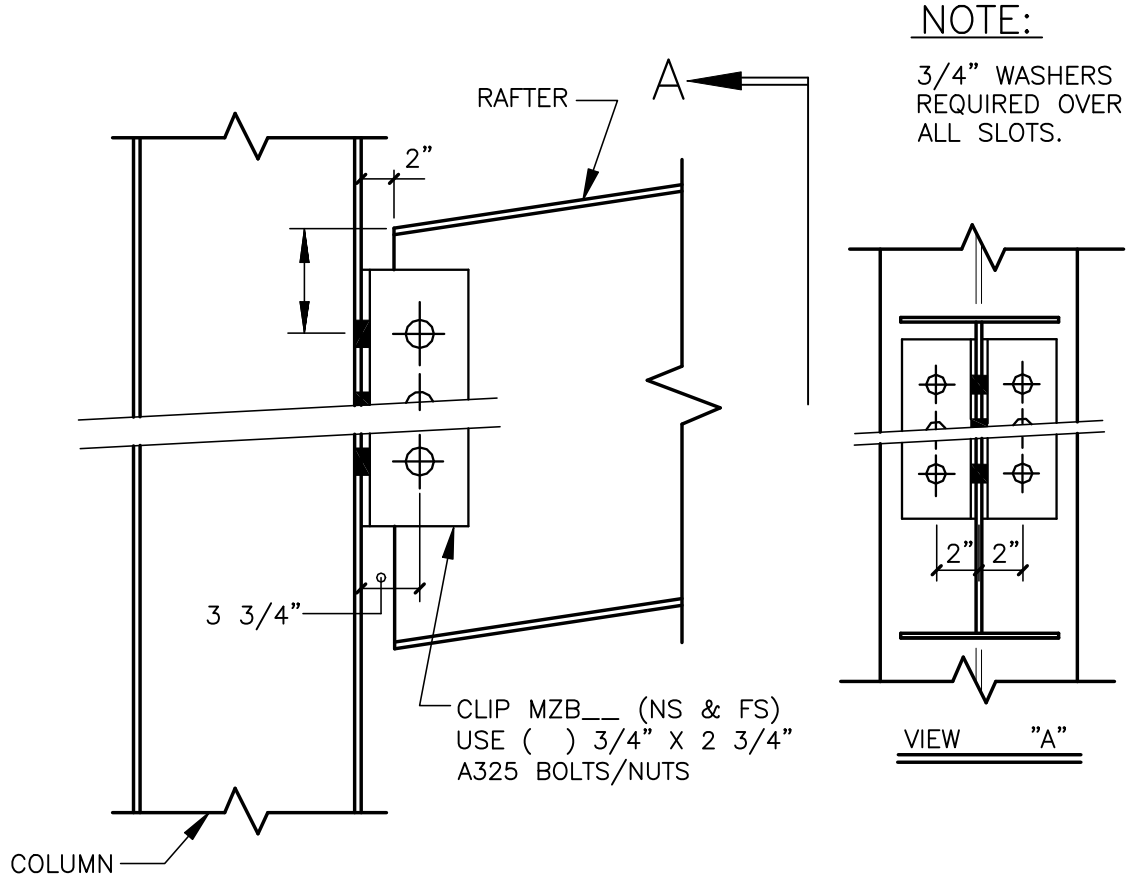
LAST REVISION  
DATE: 03/15/01  
BY: CDM CHK: RJF

DETAIL NAME IF APPLICABLE

AT0010.DWG

4.12.2

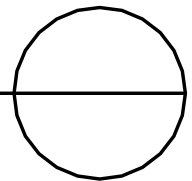
### AT0020 – RAFTER TO FLANGE – ONE SIDE OF COLUMN



AT0020

## AUXILIARY RAFTER CONNECTION DETAIL

RAFTER TO FLANGE OF FULL HEIGHT COLUMN

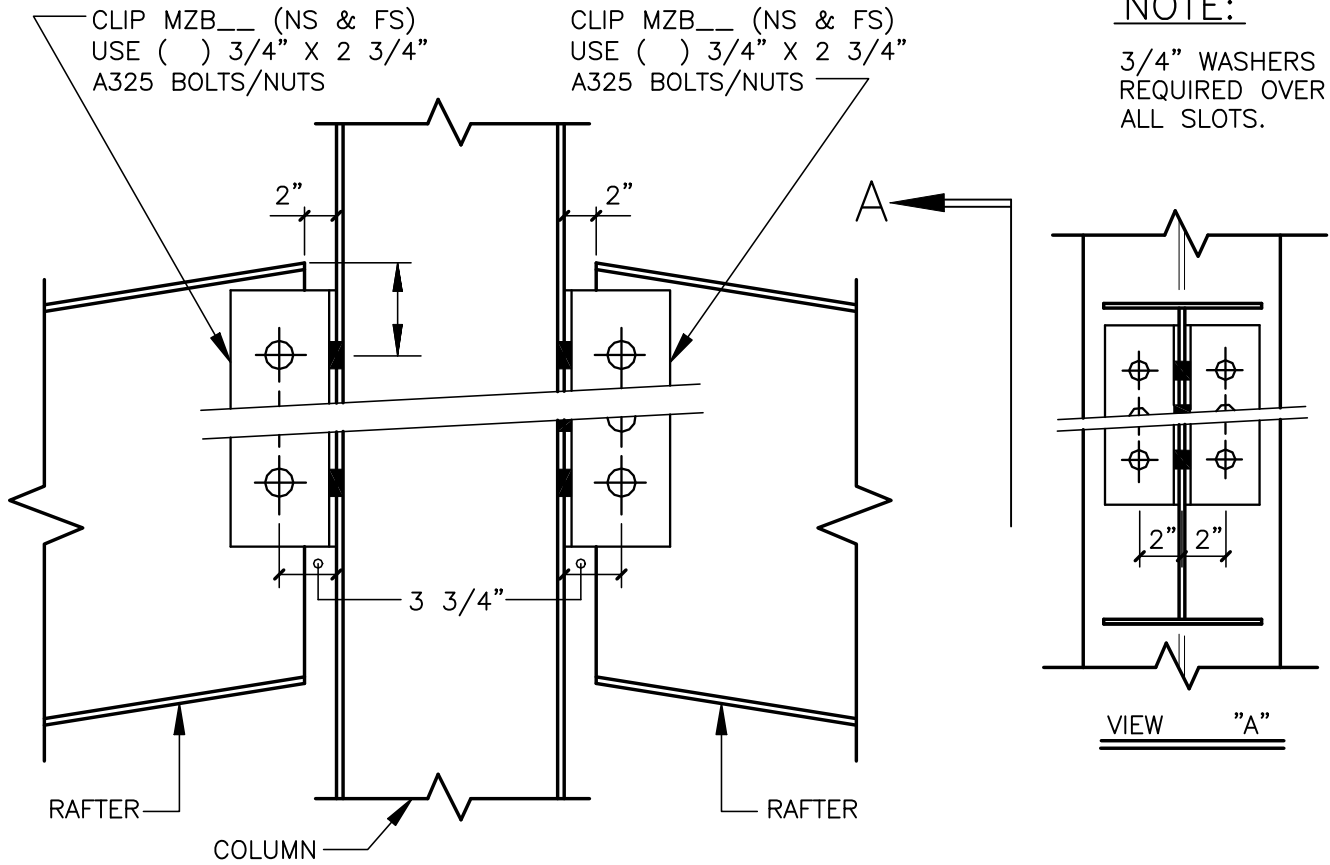


LAST REVISION  
DATE: 03/15/01  
BY: CDM CHK: RJF

DETAIL NAME IF APPLICABLE  
**AT0020.DWG**

**4.12.3**

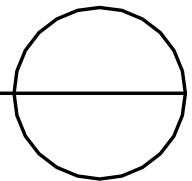
### AT0030 – RIDGE CONNECTION AT COLUMN FLANGES



AT0030

## AUXILIARY RAFTER CONNECTION DETAIL

RAFTER TO FLANGE OF FULL HEIGHT COLUMN



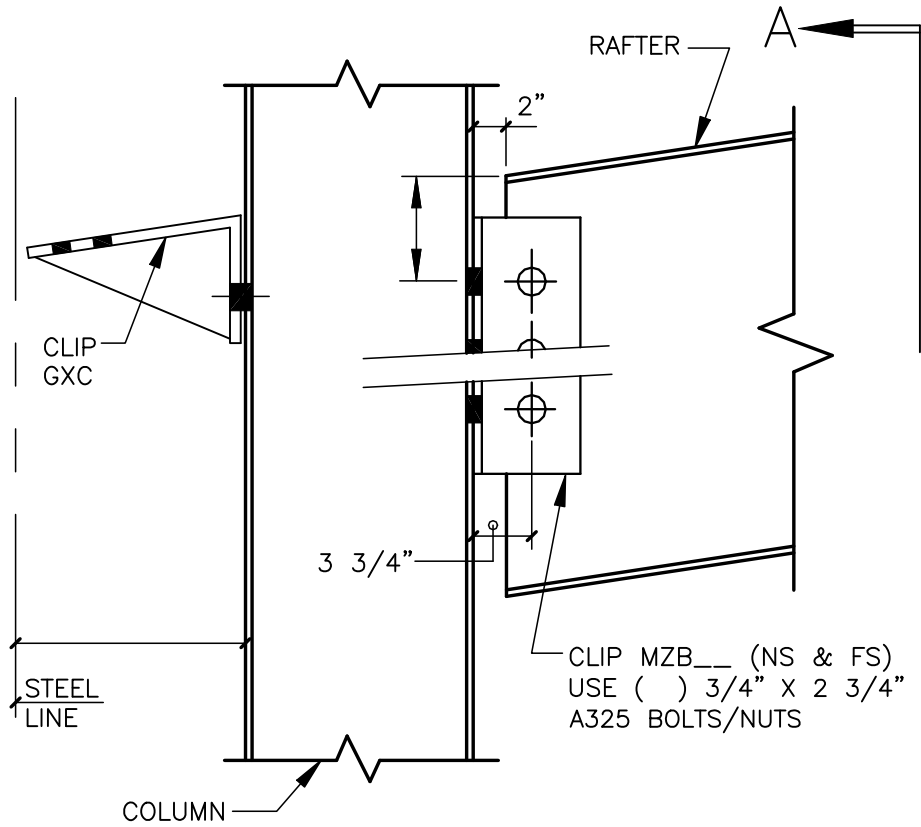
LAST REVISION  
DATE: 03/15/01  
BY: CDM CHK: RJF

DETAIL NAME IF APPLICABLE

AT0030.DWG

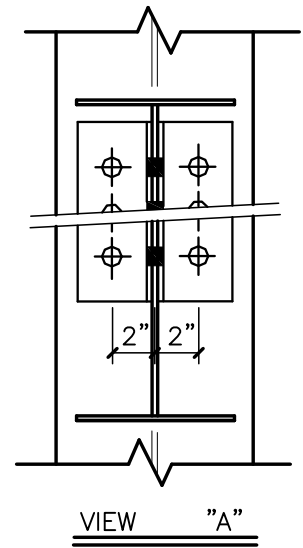
4.12.4

### AT0040 – LOW EAVE AT COLUMN FLANGE WITH CLIP



NOTE:

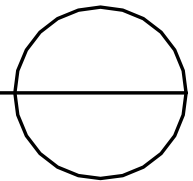
3/4" WASHERS  
REQUIRED OVER  
ALL SLOTS.



AT0040

## AUXILIARY RAFTER CONNECTION DETAIL

RAFTER TO FLANGE OF FULL HEIGHT COLUMN



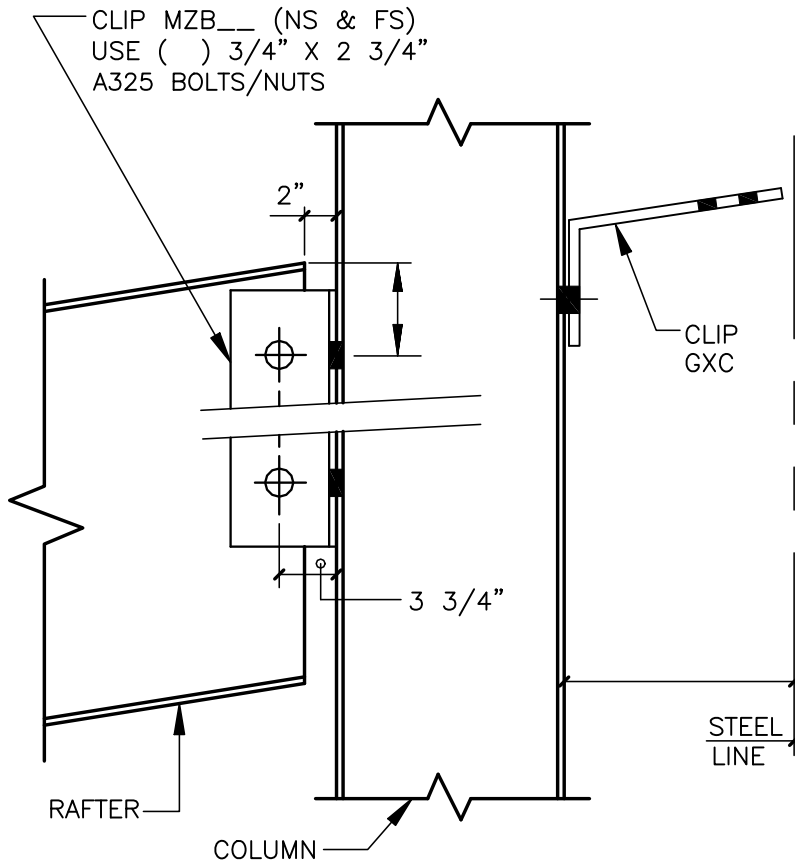
LAST REVISION  
DATE: 03/15/01  
BY: CDM CHK: RJF

DETAIL NAME IF APPLICABLE

AT0040.DWG

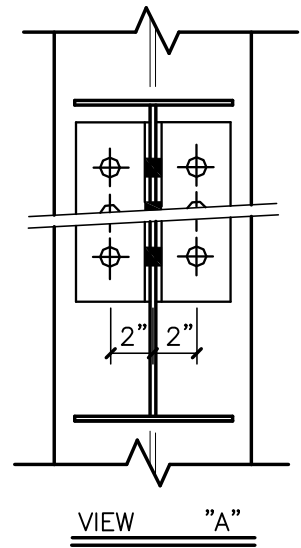
4.12.5

### AT0050 – HIGH EAVE AT COLUMN FLANGE WITH CLIP



**NOTE:**

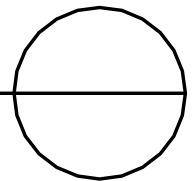
3/4" WASHERS  
REQUIRED OVER  
ALL SLOTS.



AT0050

## AUXILIARY RAFTER CONNECTION DETAIL

RAFTER TO FLANGE OF FULL HEIGHT COLUMN



LAST REVISION  
DATE: 03/15/01  
BY: CDM CHK: RJF

DETAIL NAME IF APPLICABLE

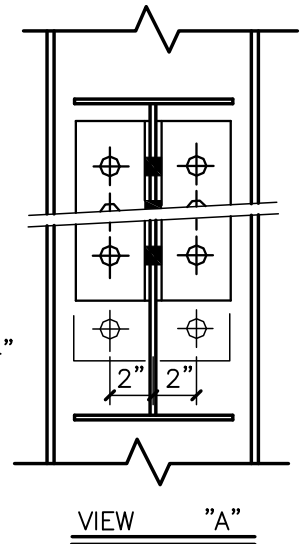
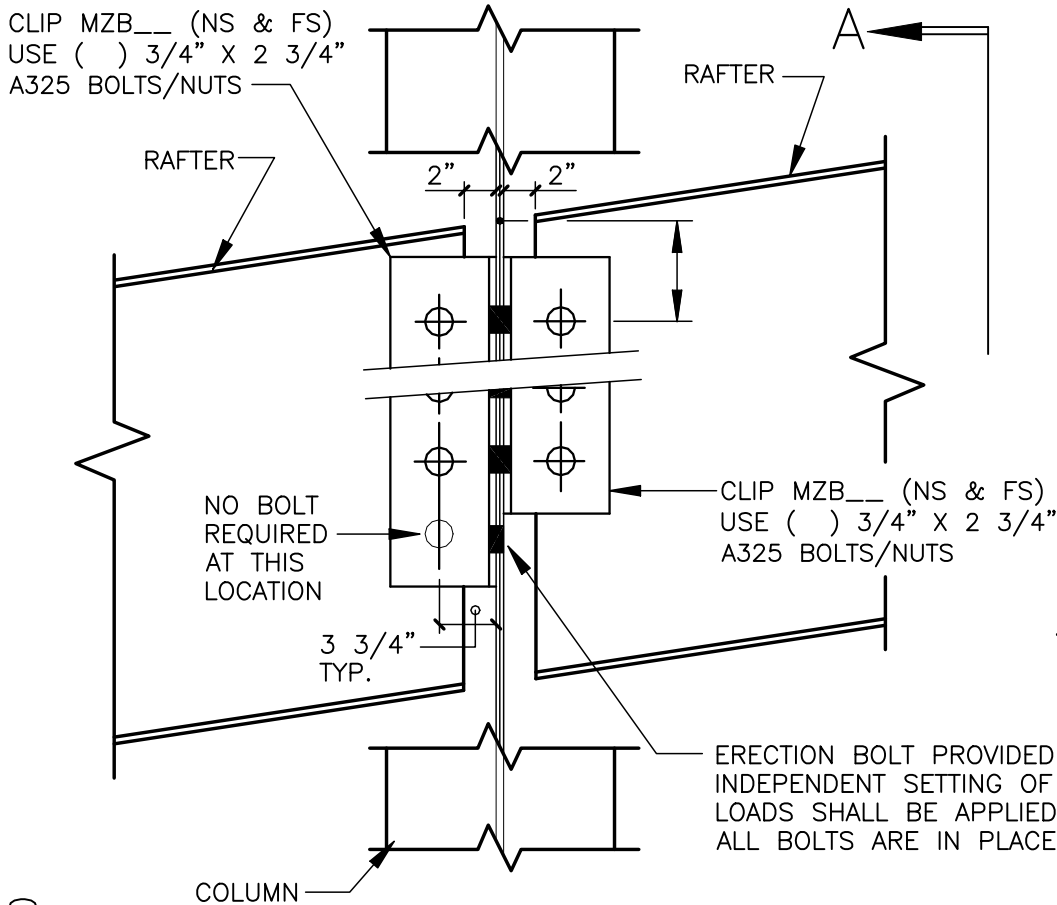
**AT0050.DWG**

**4.12.6**

### AT0060 – RAFTER TO WEB – BOTH SIDES OF COLUMN

NOTE:

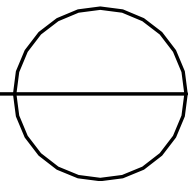
3/4" WASHERS  
REQUIRED OVER  
ALL SLOTS.



AT0060

## AUXILIARY RAFTER CONNECTION DETAIL

RAFTER TO WEB OF FULL HEIGHT COLUMN

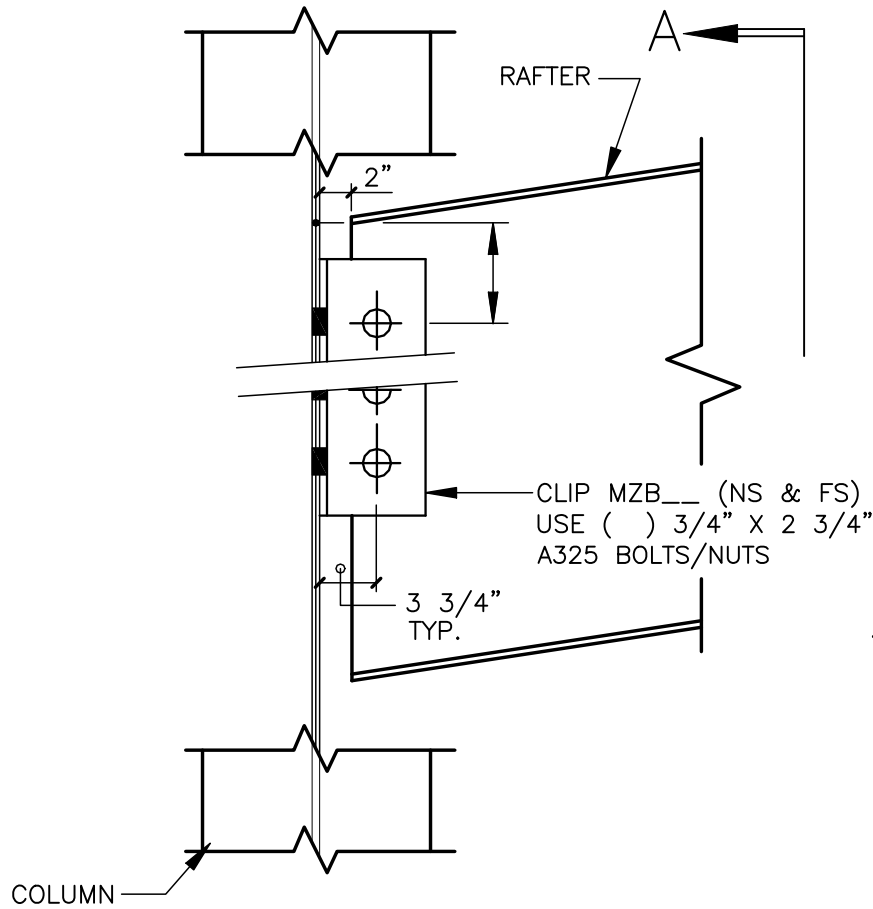


LAST REVISION	DATE: 03/15/01
BY: CDM	CHK: RJF

DETAIL NAME IF APPLICABLE
AT0060.DWG

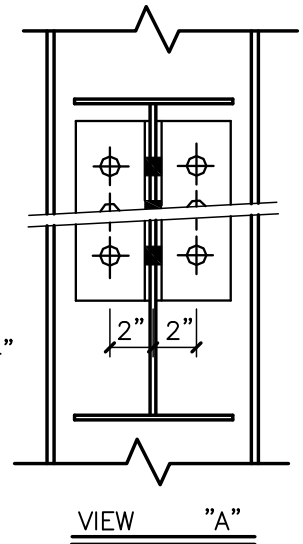
4.12.7
--------

### AT0070 – RAFTER TO WEB – ONE SIDE OF COLUMN



NOTE:

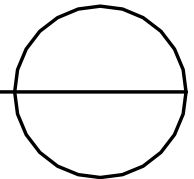
3/4" WASHERS  
REQUIRED OVER  
ALL SLOTS.



AT0070

## AUXILIARY RAFTER CONNECTION DETAIL

RAFTER TO WEB OF FULL HEIGHT COLUMN



LAST REVISION  
DATE: 03/15/01  
BY: CDM CHK: RJF

DETAIL NAME IF APPLICABLE

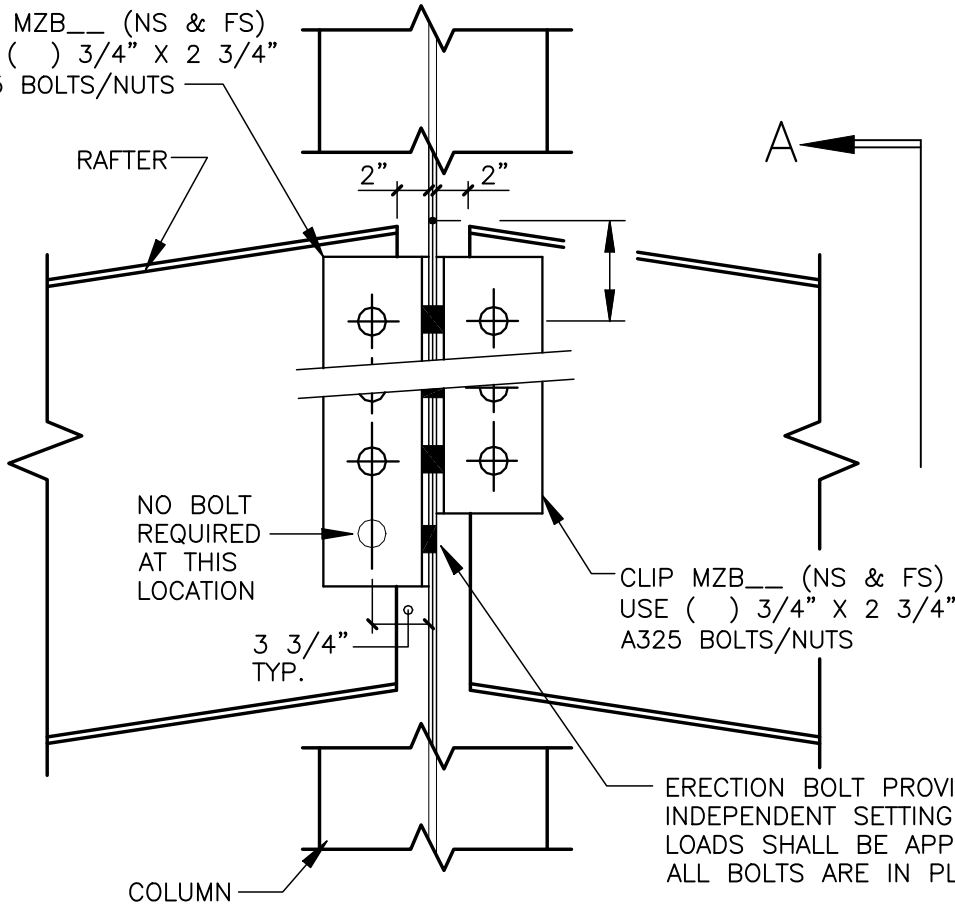
**AT0070.DWG**

**4.12.8**



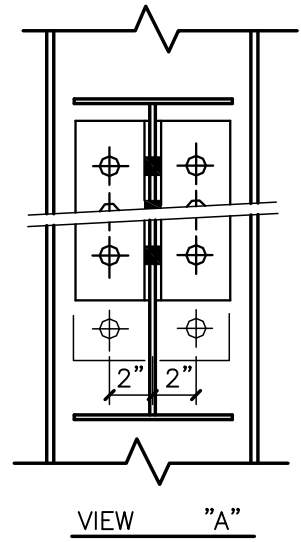
### AT0080 – RIDGE CONNECTION AT COLUMN WEB

CLIP MZB\_\_\_ (NS & FS)  
 USE ( ) 3/4" X 2 3/4"  
 A325 BOLTS/NUTS



NOTE:

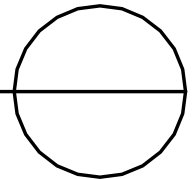
3/4" WASHERS  
 REQUIRED OVER  
 ALL SLOTS.



AT0080

## AUXILIARY RAFTER CONNECTION DETAIL

RAFTER TO WEB OF FULL HEIGHT COLUMN

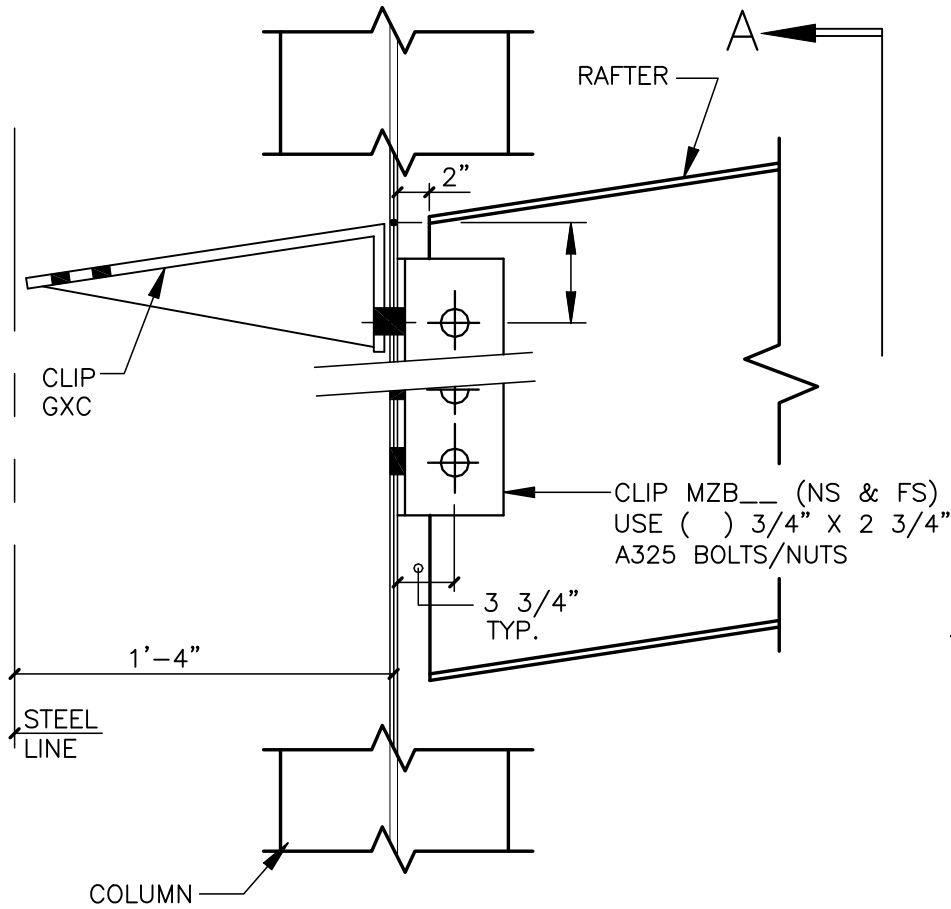


LAST REVISION  
 DATE: 03/15/01  
 BY: CDM CHK: RJF

DETAIL NAME IF APPLICABLE  
**AT0080.DWG**

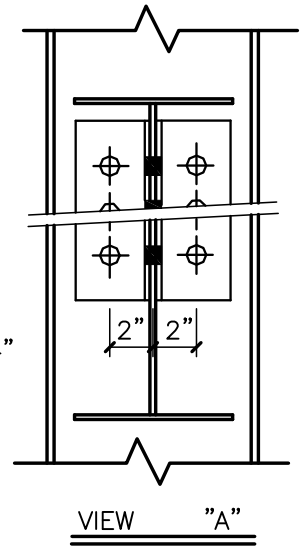
**4.12.9**

### AT0090 – LOW EAVE AT COLUMN WEB WITH CLIP



NOTE:

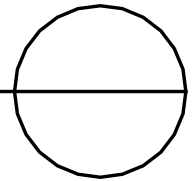
3/4" WASHERS  
REQUIRED OVER  
ALL SLOTS.



AT0090

## AUXILIARY RAFTER CONNECTION DETAIL

RAFTER TO WEB OF FULL HEIGHT COLUMN



LAST REVISION  
DATE: 03/15/01  
BY: CDM CHK: RJF

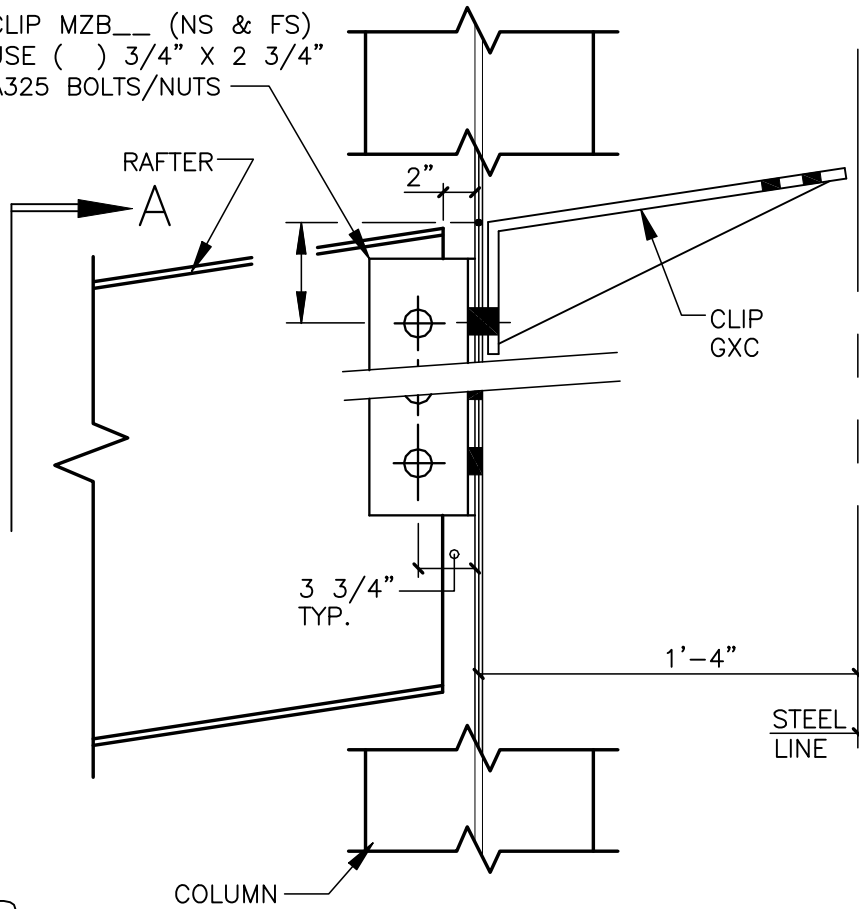
DETAIL NAME IF APPLICABLE

AT0090.DWG

4.12.10

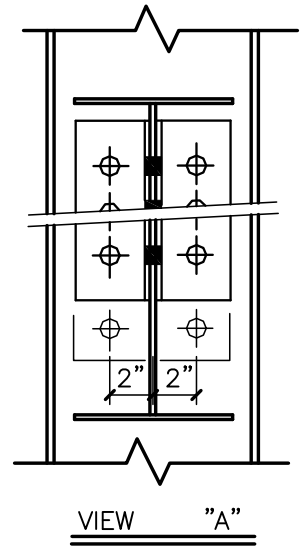
### AT0100 – HIGH EAVE AT COLUMN WEB WITH CLIP

CLIP MZB\_\_ (NS & FS)  
 USE ( ) 3/4" X 2 3/4"  
 A325 BOLTS/NUTS



#### NOTE:

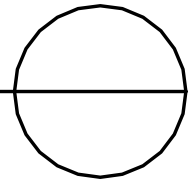
3/4" WASHERS  
 REQUIRED OVER  
 ALL SLOTS.



AT0100

## AUXILIARY RAFTER CONNECTION DETAIL

RAFTER TO WEB OF FULL HEIGHT COLUMN



LAST REVISION  
 DATE: 03/15/01  
 BY: CDM CHK: RJF

DETAIL NAME IF APPLICABLE

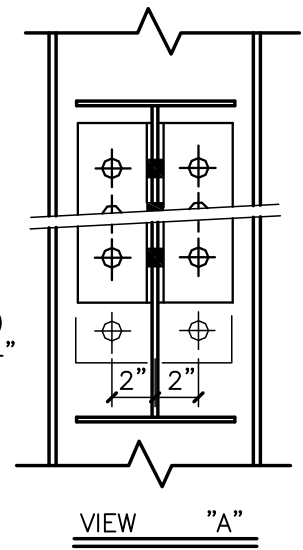
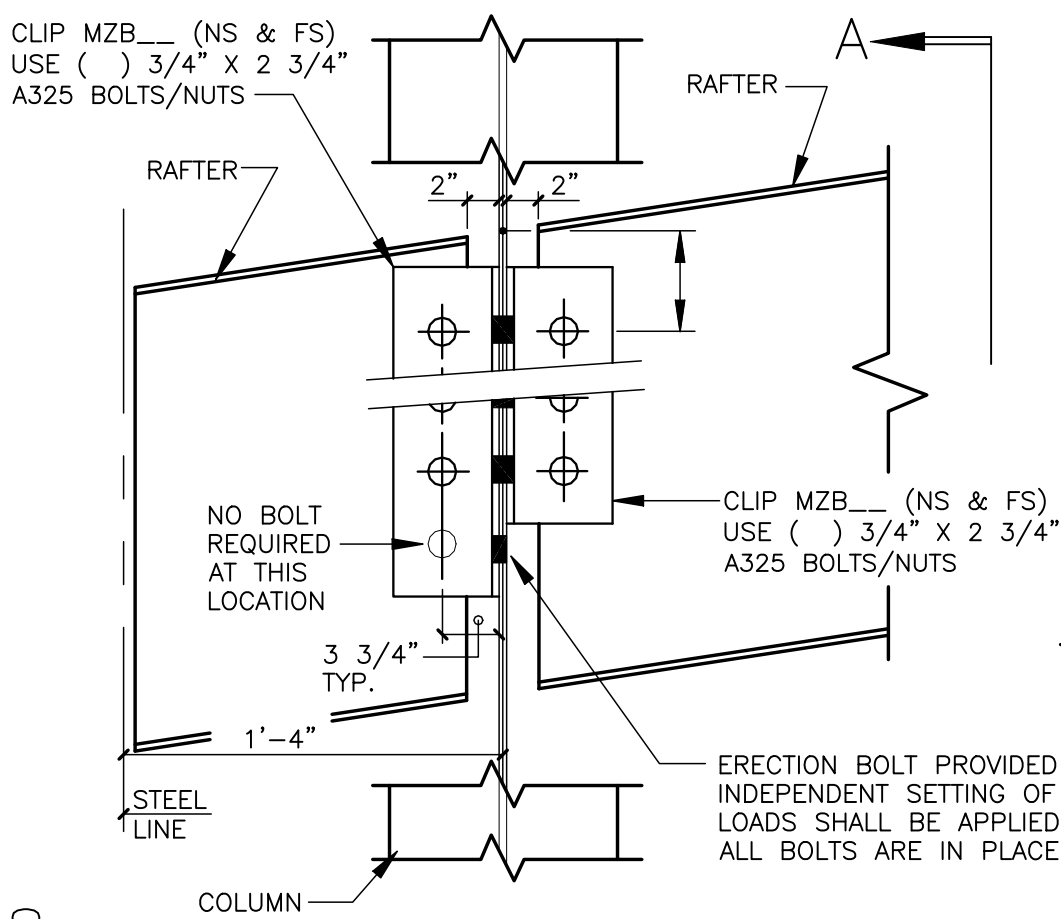
**AT0100.DWG**

**4.12.11**

### AT0110 – LOW EAVE AT COLUMN WEB WITH STUB

NOTE:

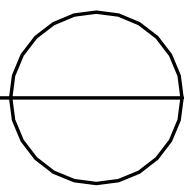
3/4" WASHERS  
REQUIRED OVER  
ALL SLOTS.



AT0110

## AUXILIARY RAFTER CONNECTION DETAIL

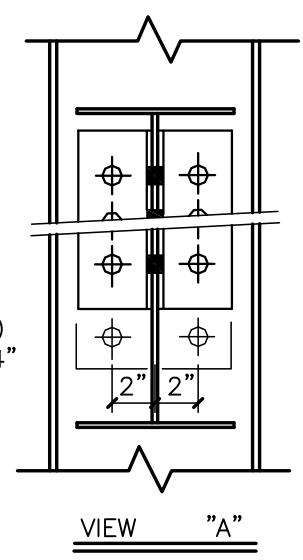
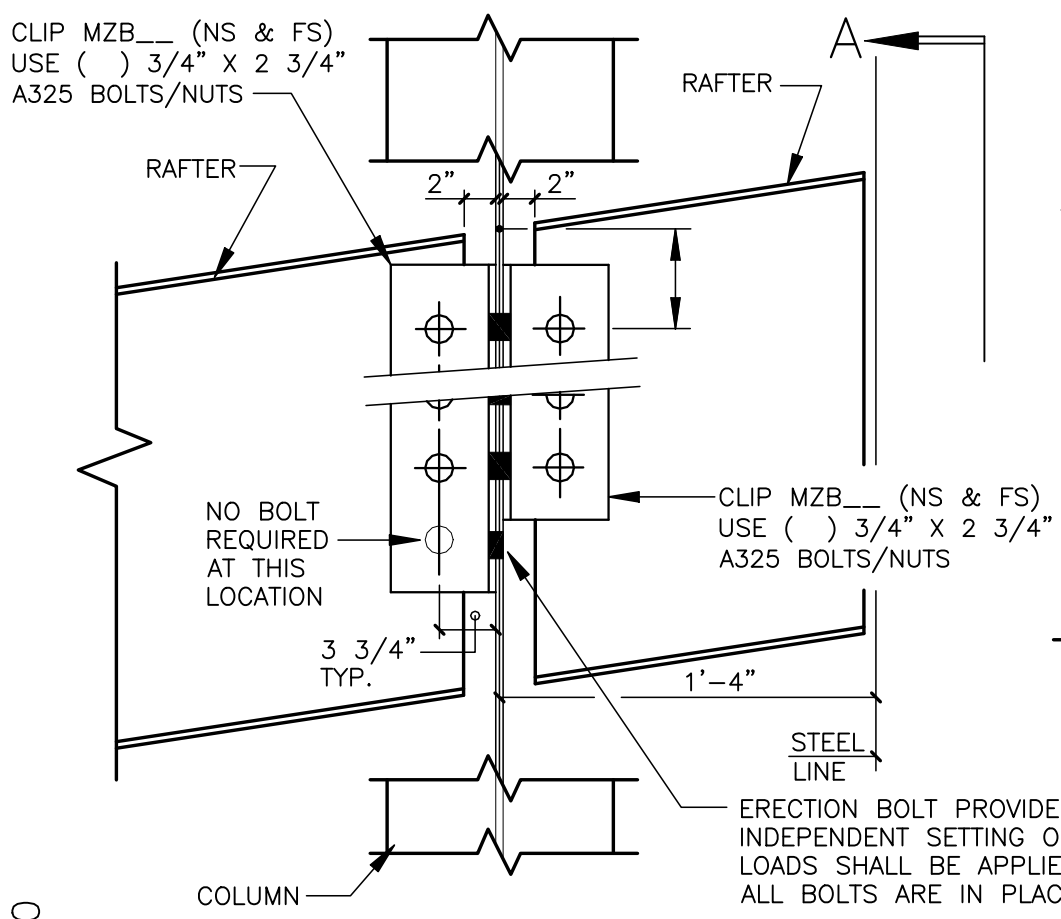
RAFTER TO WEB OF FULL HEIGHT COLUMN



<p>LAST REVISION DATE: 03/15/01 BY: CDM CHK: RJF</p>	<p>DETAIL NAME IF APPLICABLE <b>AT0110.DWG</b></p>	<p><b>4.12.12</b></p>
--	--	-----------------------

### AT0120 – HIGH EAVE AT COLUMN WEB WITH STUB

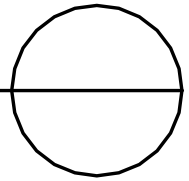
NOTE:  
 3/4" WASHERS  
 REQUIRED OVER  
 ALL SLOTS.



AT0120

## AUXILIARY RAFTER CONNECTION DETAIL

RAFTER TO WEB OF FULL HEIGHT COLUMN



LAST REVISION DATE: <u>03/15/01</u> BY: <u>CDM</u> CHK: <u>RJF</u>	<u>DETAIL NAME IF APPLICABLE</u> <b style="color: blue;">AT0120.DWG</b>	<b style="color: blue;">4.12.13</b>
--	--	-------------------------------------