



TABLE OF CONTENTS

Table of Contents 1

Rigid Frame 3

 FD0010PE – Rigid Frame Knee W/Purlins Low Eave – Inset..... 3

 FD0020PE – Rigid Frame Knee W/Purlins Low Eave - Bypass 4

 FD0030PE – Rigid Frame Knee W/Joists Low Eave - Bypass 5

 FD0040PE – Rigid Frame Knee W/Joists Low Eave – Inset 6

 FD0050PE – Rigid Frame Rafter Splice 7

 FD0060PE – Rigid Frame Rafter To Interior Column 8

 FD0070PE – Rigid Frame Ridge Condition 9

 FD0080PE – Rigid Frame Knee W/Purlins High Eave – Inset..... 10

 FD0090PE – Rigid Frame Knee W/Purlins High Eave - Bypass..... 11

 FD0100PE – Rigid Frame Knee W/Joists High Eave – Inset..... 12

 FD0110PE – Rigid Frame Knee W/Joists High Eave - Bypass 13

Sidewall Wind Column 14

 FD0120PE – Sidewall Wind Column W/Joists Low Eave – Inset 14

 FD0130PE – Sidewall Wind Column W/Joists Low Eave - Bypass 15

 FD0140PE – Sidewall Wind Column W/Joists High Eave – Inset..... 16

 FD0150PE – Sidewall Wind Column W/Joists High Eave - Bypass 17

Post & Beam 18

 FD0160PE – Endwall Corner Column W/Purlins Low Eave-(C.F. Col. & Rafter) 18

 FD0170PE – Endwall Corner Column W/Purlins Low Eave-(H - Section) 19

 FD0180PE – Endwall Corner Column W/Joists Low Eave-(C.F.Column)..... 20

 FD0190PE – Endwall Corner Column W/Joists Low Eave - (H - Section) 21

 FD0200PE – Top Of Endwall Column (C.F. Col. & Rafter) 22

 FD0210PE – Top Of Endwall Column (H - Section) 23

 FD0220PE – Endwall Ridge W/Center Column (C.F. Rafter) 24

 FD0230PE – Endwall Ridge Condition W/Center Column (H - Section)..... 25

 FD0240PE – Endwall Ridge Condition Without Center Column (H - Section) 26

 FD0245PE – Endwall Ridge Condition Without Center Column (C.F. Rafter) 27

 FD0250PE – Endwall Corner Column High Eave (C.F. Column) 28

 FD0260PE – Endwall Corner Column High Eave (H - Section)..... 29

 FD0270PE – Endwall W/Purlins (C.F. Col. & Rafter) – Inset 30

 FD0280PE – Endwall W/Purlins (H - Section) – Inset..... 31

 FD0290PE – Endwall W/Purlins (C.F. Col. & Rafter) - Bypass 32

 FD0300PE – Endwall W/Purlins (H - Section) - Bypass 33

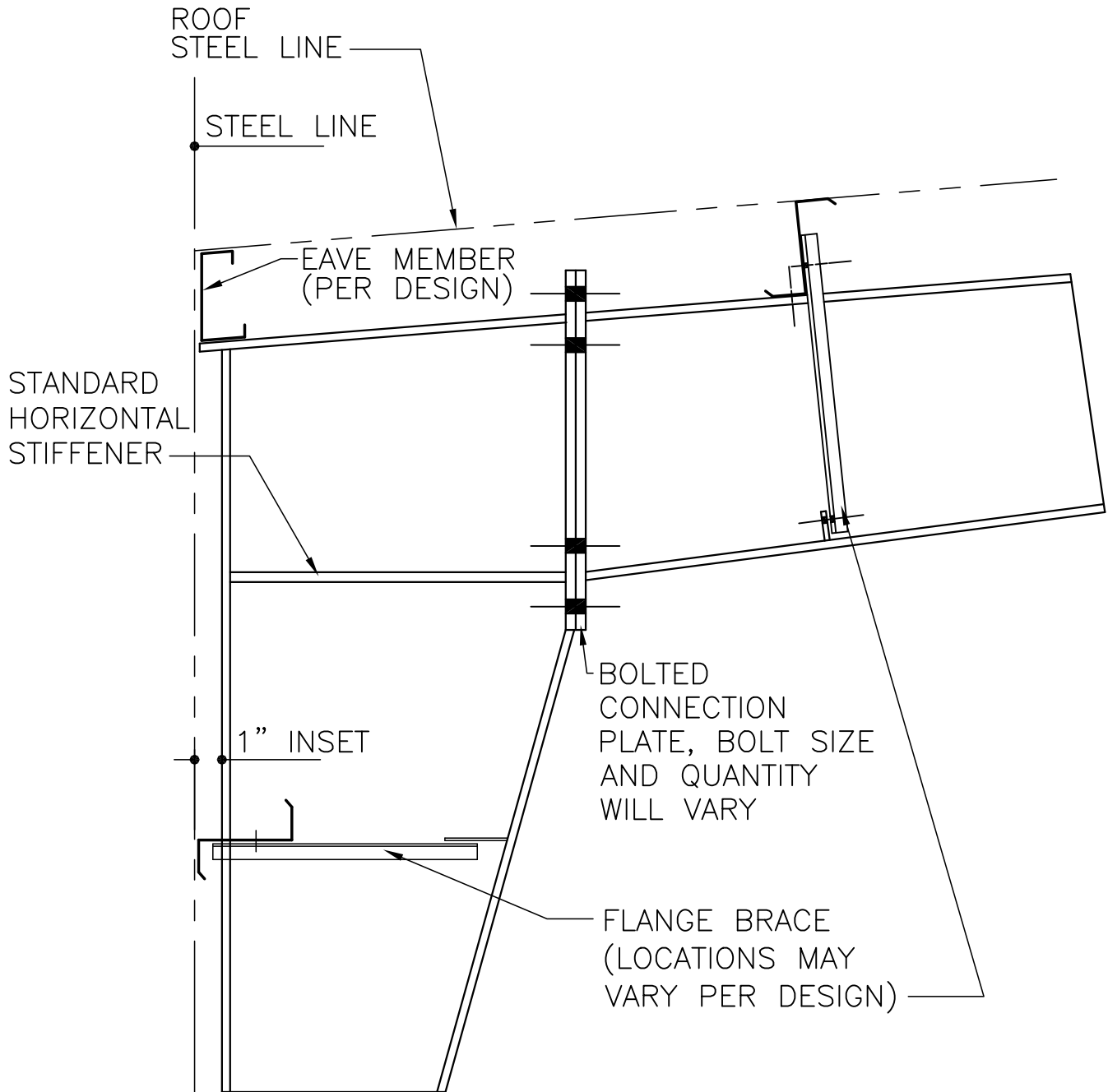
 FD0310PE – Endwall W/Joists (C.F. Column) – Inset 34



FD0330PE – Endwall W/Joists (H - Section) – Inset	35
FD0340PE – Endwall W/Joists (C.F. Column) - Bypass.....	36
FD0350PE – Endwall W/Joists (H - Section) - Bypass	37
Rigid Frame Endwall	38
FD0360PE – Rigid Frame Endwall W/Purlins – Inset	38
FD0370PE – Rigid Frame Endwall W/Purlins - Bypass	39
FD0380PE – Rigid Frame Endwall W/Joists – Inset	40
FD0390PE – Rigid Frame Endwall W/Joists - Bypass.....	41

RIGID FRAME

FD0010PE – RIGID FRAME KNEE W/PURLINS LOW EAVE – INSET

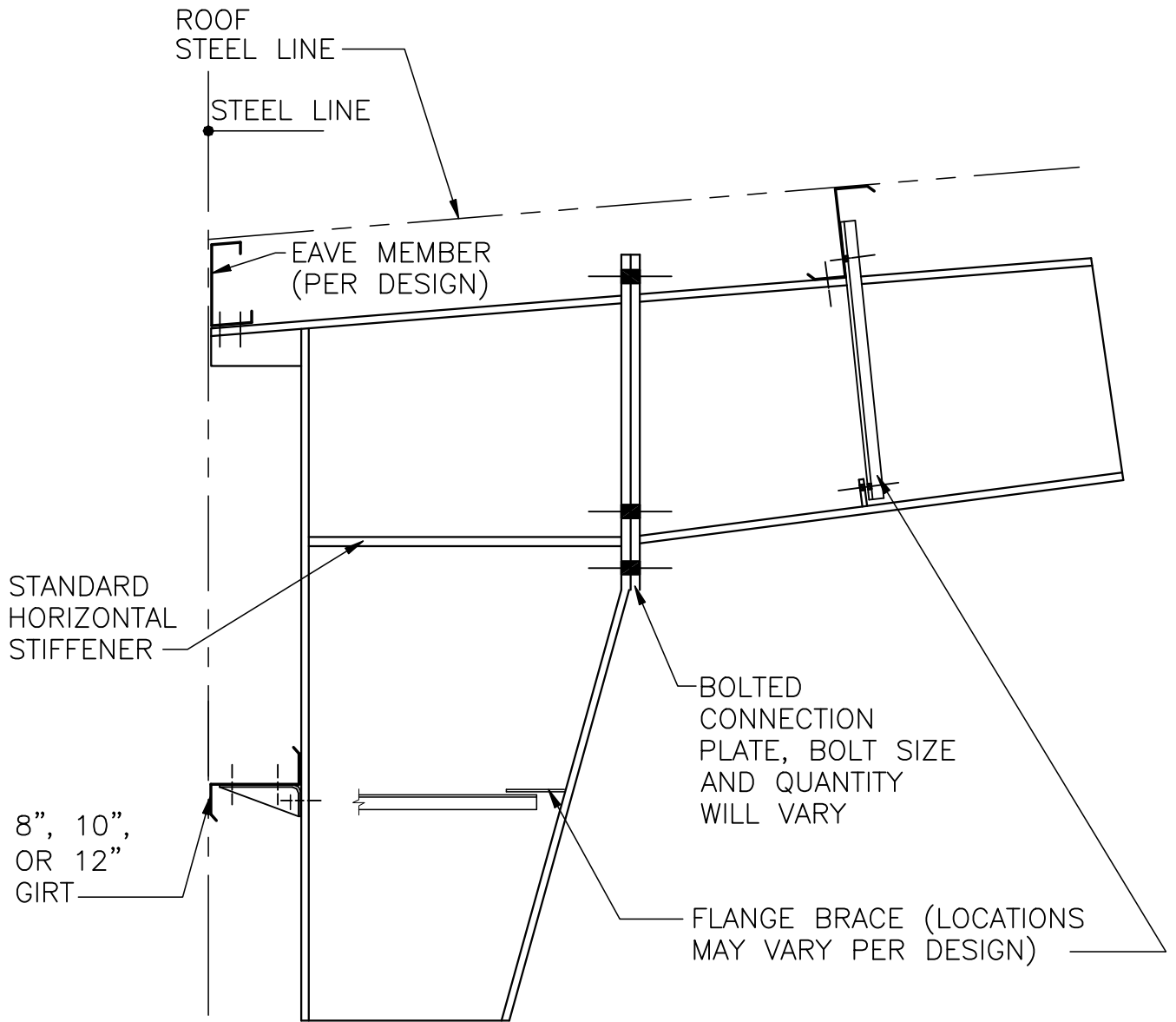


LAST REVISION
 DATE: 02/09/01
 BY: CDM CHK: RJF

DETAIL NAME IF APPLICABLE
FD0010PE.DWG

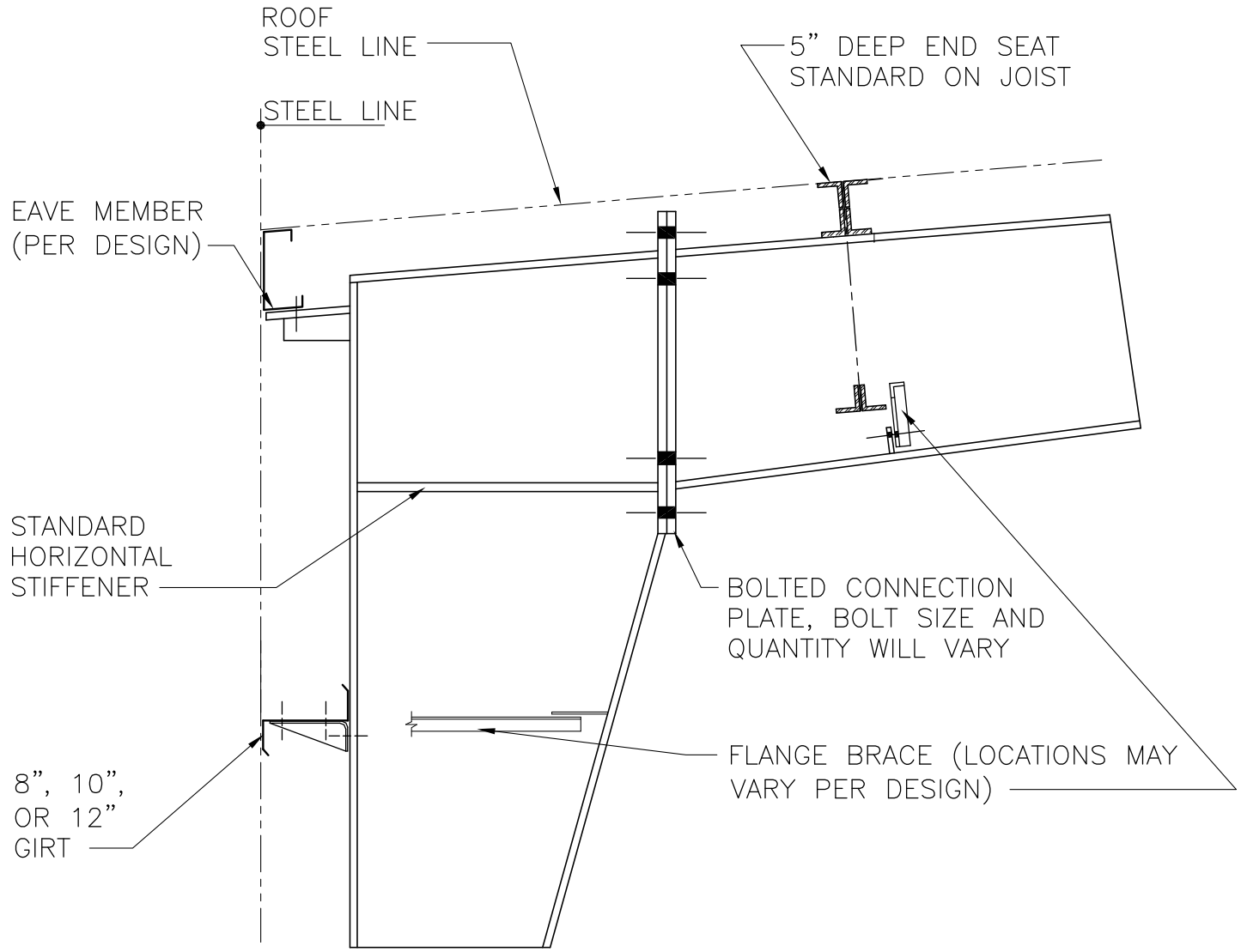
11.1.3

FD0020PE – RIGID FRAME KNEE W/PURLINS LOW EAVE - BYPASS



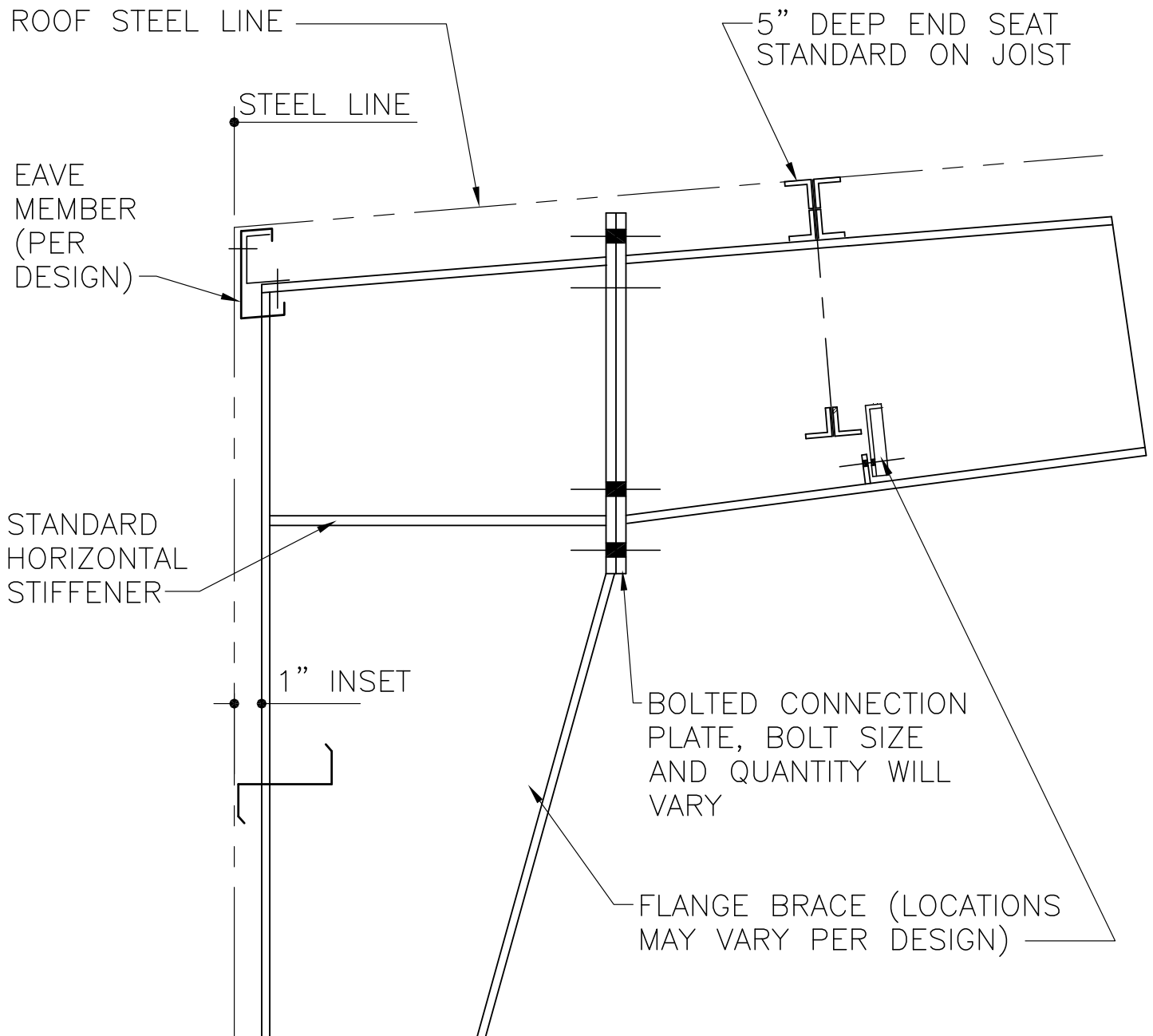
LAST REVISION DATE: <u>02/09/01</u> BY: <u>CDM</u> CHK: <u>RJF</u>	<u>DETAIL NAME IF APPLICABLE</u> FD0020PE.DWG	11.1.4
--	---	---------------

FD0030PE – RIGID FRAME KNEE W/JOISTS LOW EAVE - BYPASS



LAST REVISION DATE: <u>08/24/09</u> BY: <u>DLC</u> CHK: <u>AES</u>	<u>DETAIL NAME IF APPLICABLE</u> FD0030PE.DWG	11.1.5
--	---	---------------

FD0040PE – RIGID FRAME KNEE W/JOISTS LOW EAVE – INSET

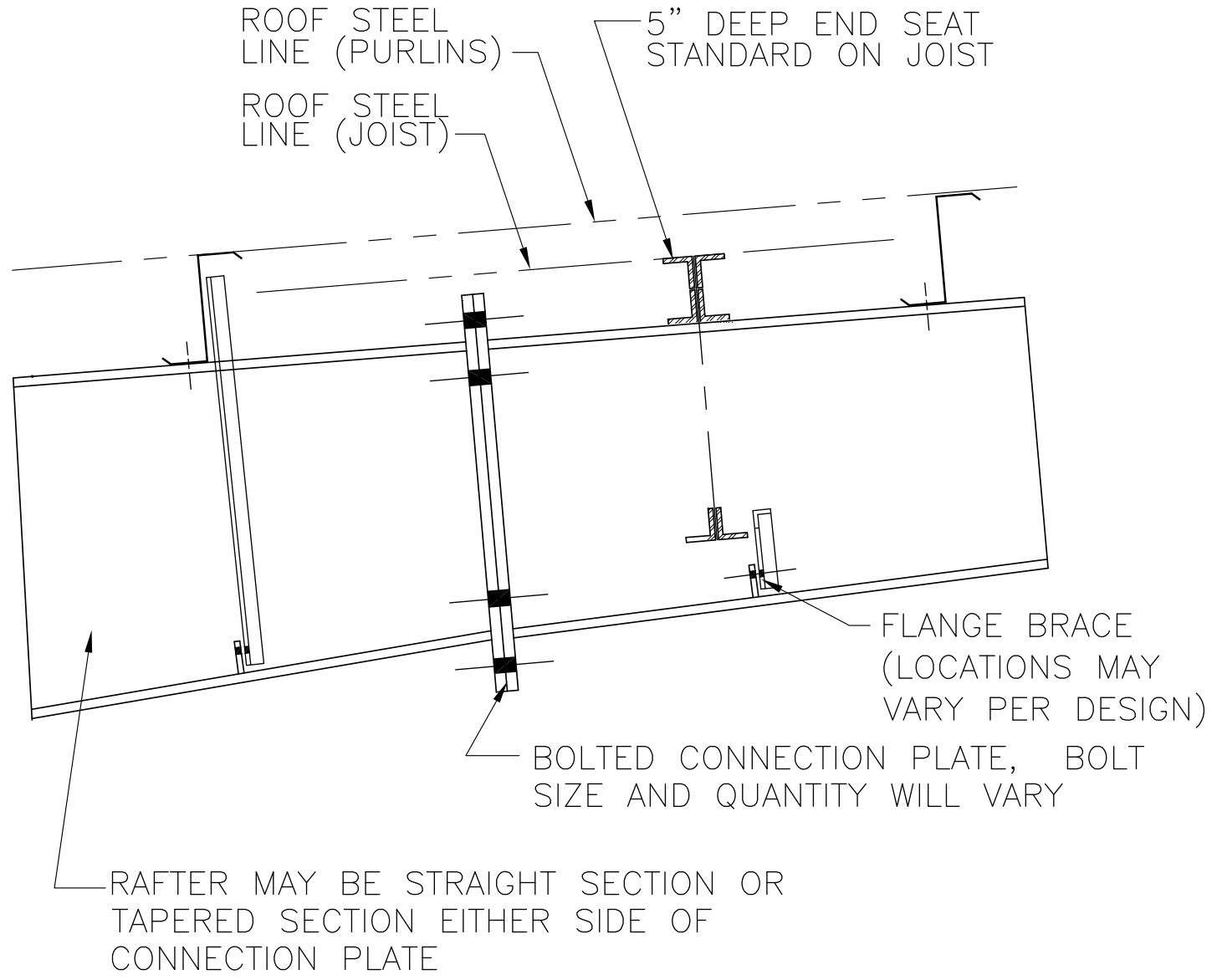


LAST REVISION
 DATE: 08/24/09
 BY: DLC CHK: AES

DETAIL NAME IF APPLICABLE
FD0040PE.DWG

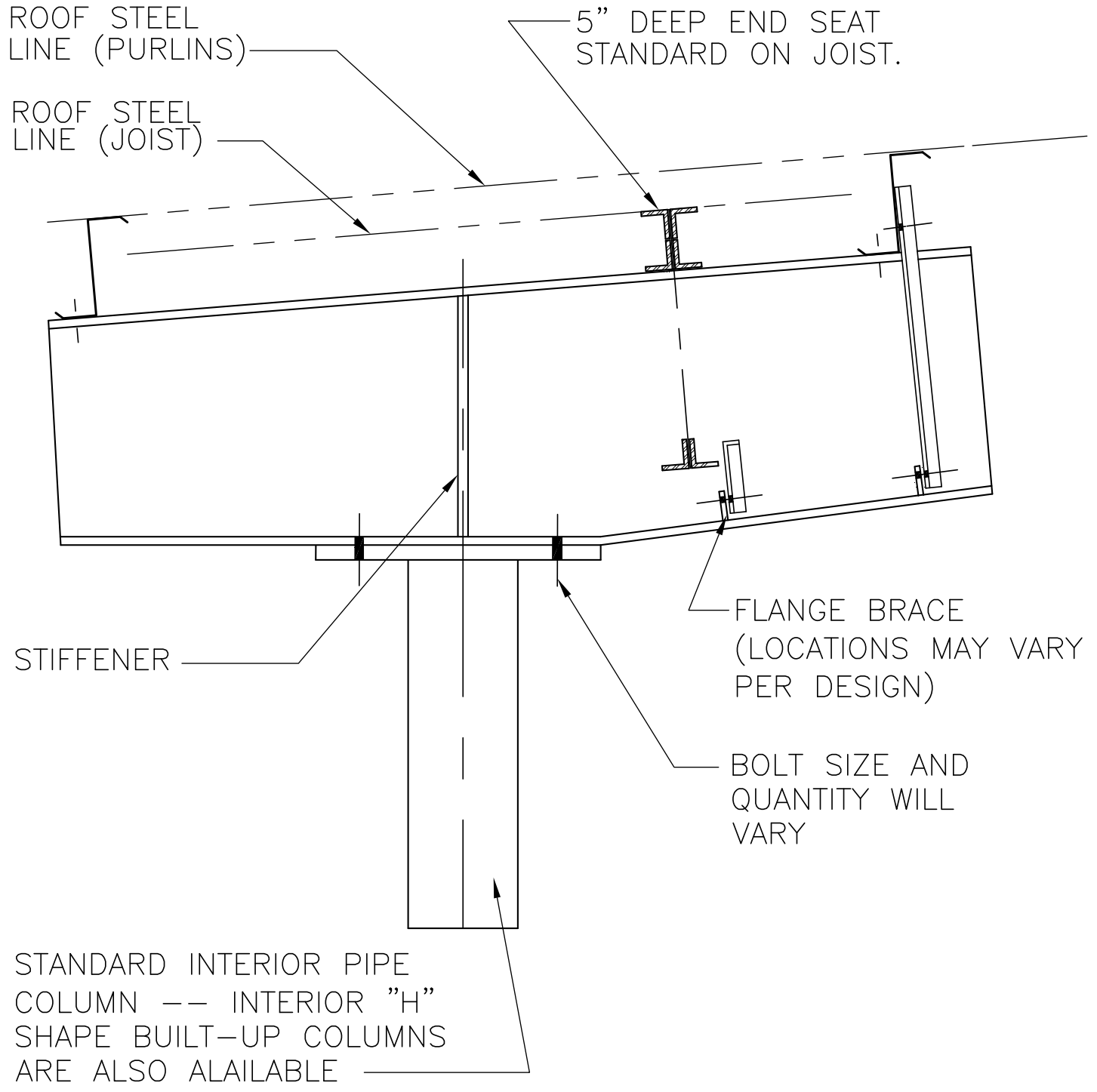
11.1.6

FD0050PE – RIGID FRAME RAFTER SPLICE



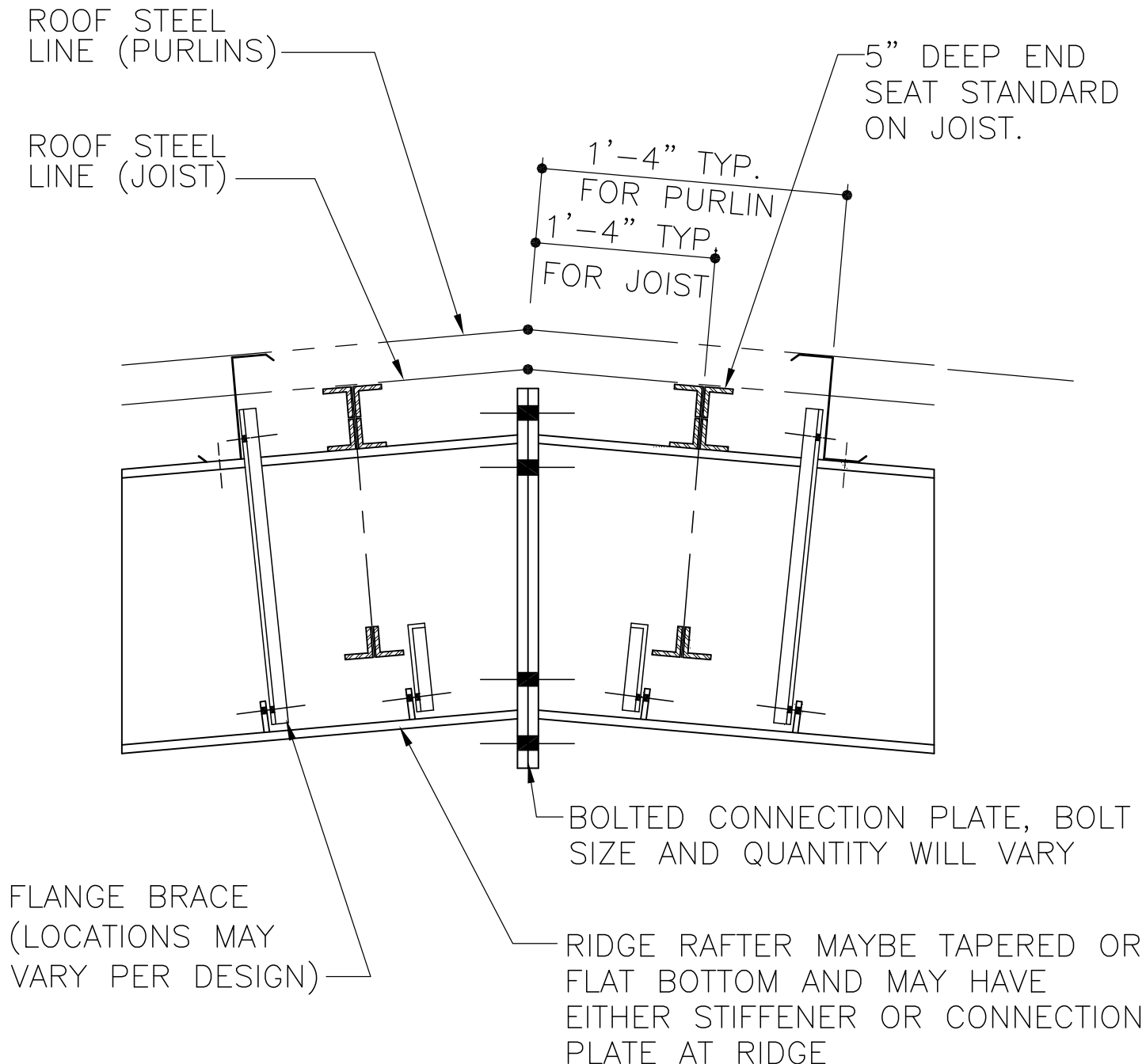
<p>LAST REVISION DATE: <u>08/24/09</u> BY: <u>DLC</u> CHK: <u>AES</u></p>	<p><u>DETAIL NAME IF APPLICABLE</u> FD0050PE.DWG</p>	<p>11.1.7</p>
---	--	----------------------

FD0060PE – RIGID FRAME RAFTER TO INTERIOR COLUMN



<p>LAST REVISION DATE: <u>08/24/09</u> BY: <u>DLC</u> CHK: <u>AES</u></p>	<p><u>DETAIL NAME IF APPLICABLE</u> FD0060PE.DWG</p>	<p>11.1.8</p>
---	--	----------------------

FD0070PE – RIGID FRAME RIDGE CONDITION

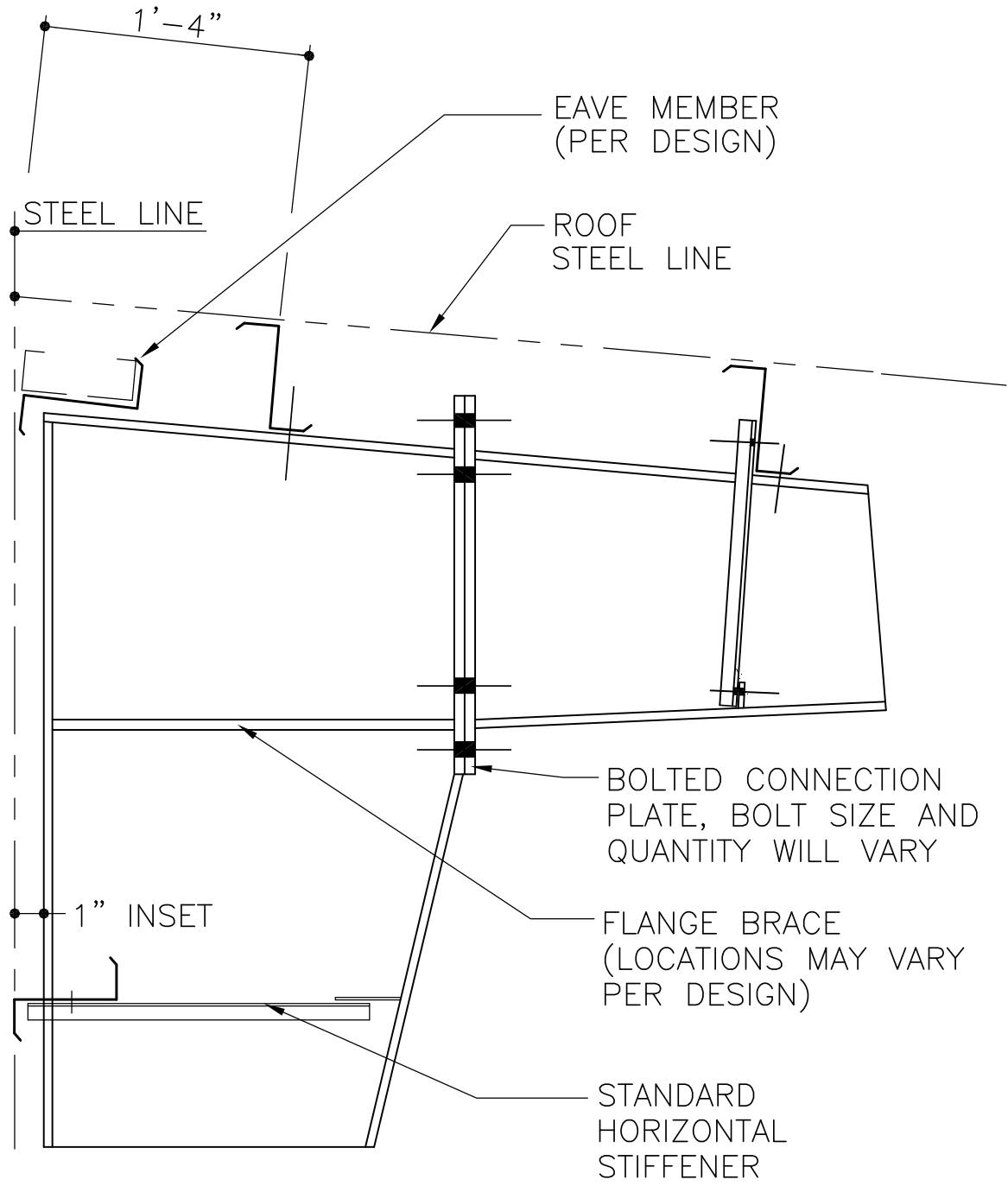


LAST REVISION
DATE: <u>08/24/09</u>
BY: <u>DLC</u> CHK: <u>AES</u>

<u>DETAIL NAME IF APPLICABLE</u>
FD0070PE.DWG

11.1.9

FD0080PE – RIGID FRAME KNEE W/PURLINS HIGH EAVE – INSET

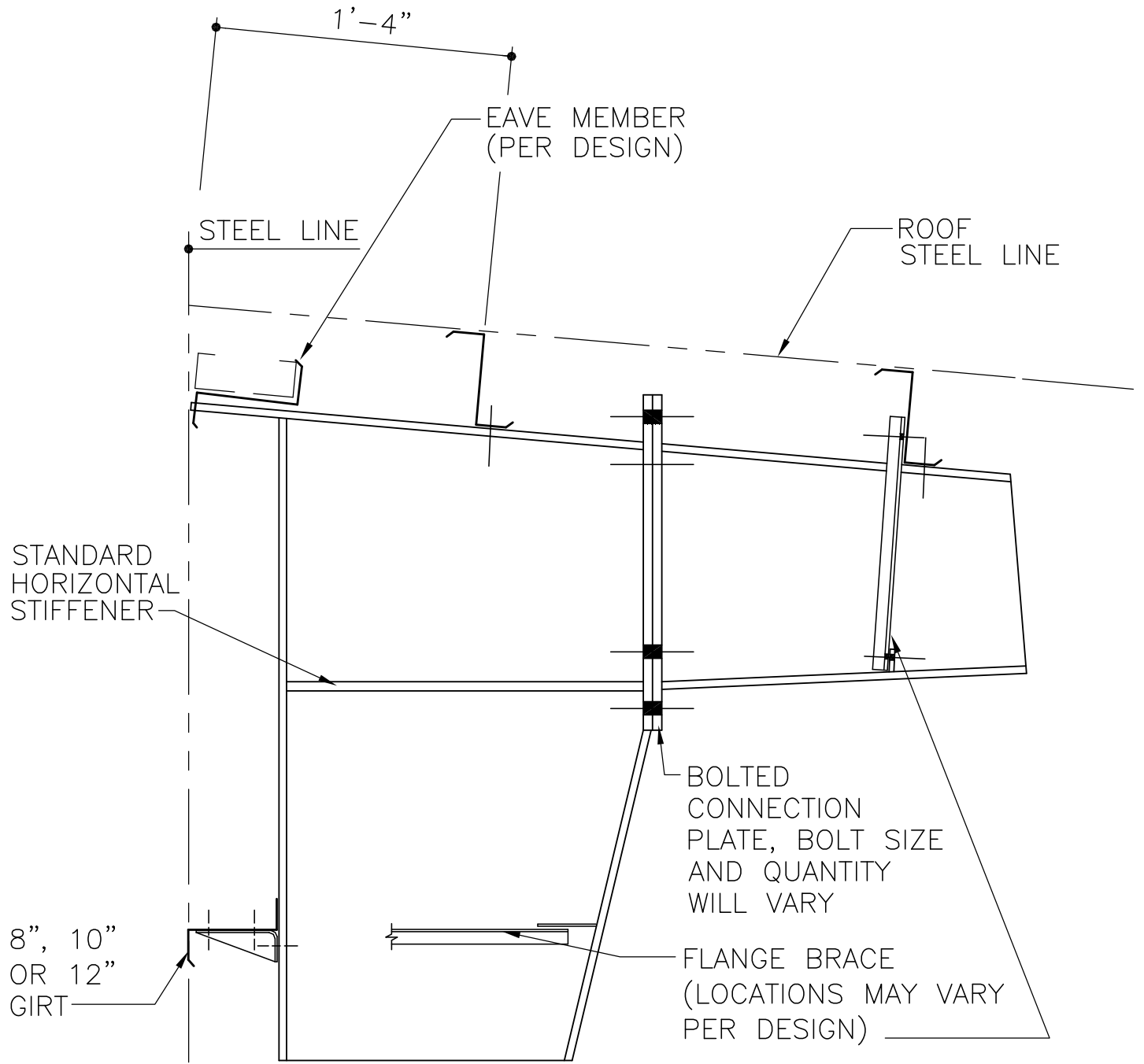


LAST REVISION
DATE: 02/09/0
BY: AES CHK:

DETAIL NAME IF APPLICABLE
FD0080PE.DWG

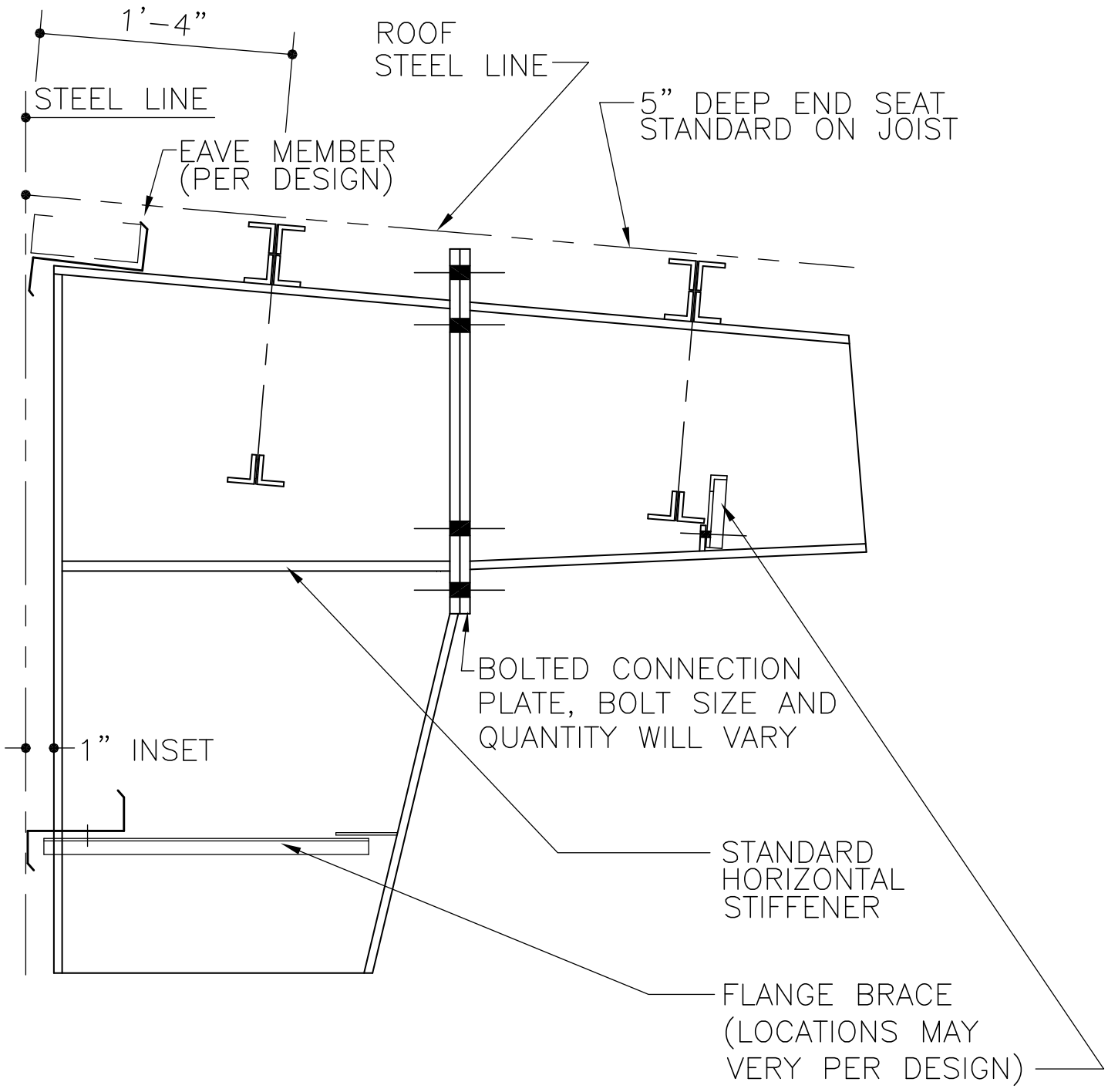
11.1.10

FD0090PE – RIGID FRAME KNEE W/PURLINS HIGH EAVE - BYPASS



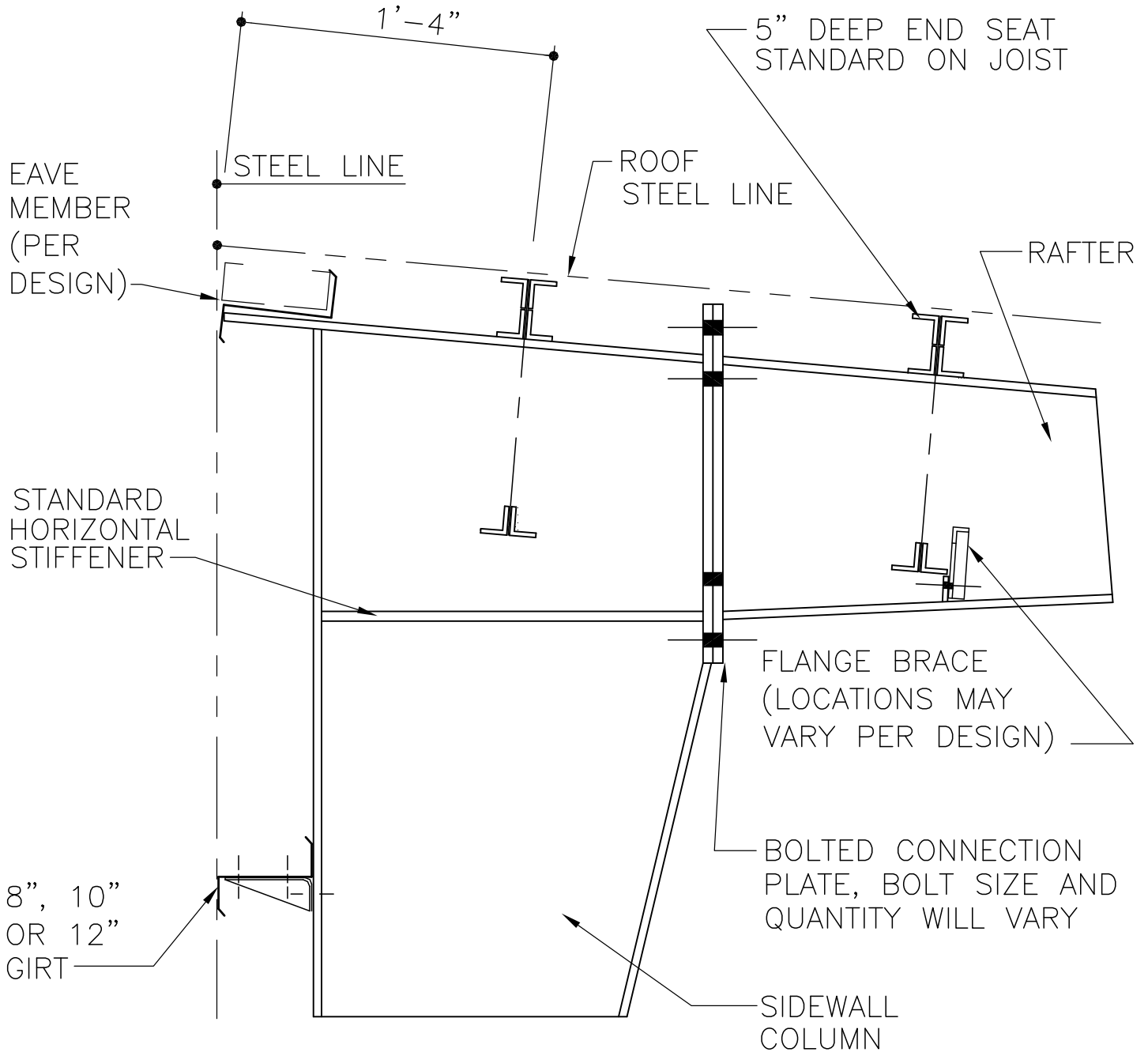
<p>LAST REVISION DATE: <u>08/24/09</u> BY: <u>DLC</u> CHK: <u>AES</u></p>	<p><u>DETAIL NAME IF APPLICABLE</u> FD0090PE.DWG</p>	<p>11.1.11</p>
---	--	-----------------------

FD0100PE – RIGID FRAME KNEE W/JOISTS HIGH EAVE – INSET



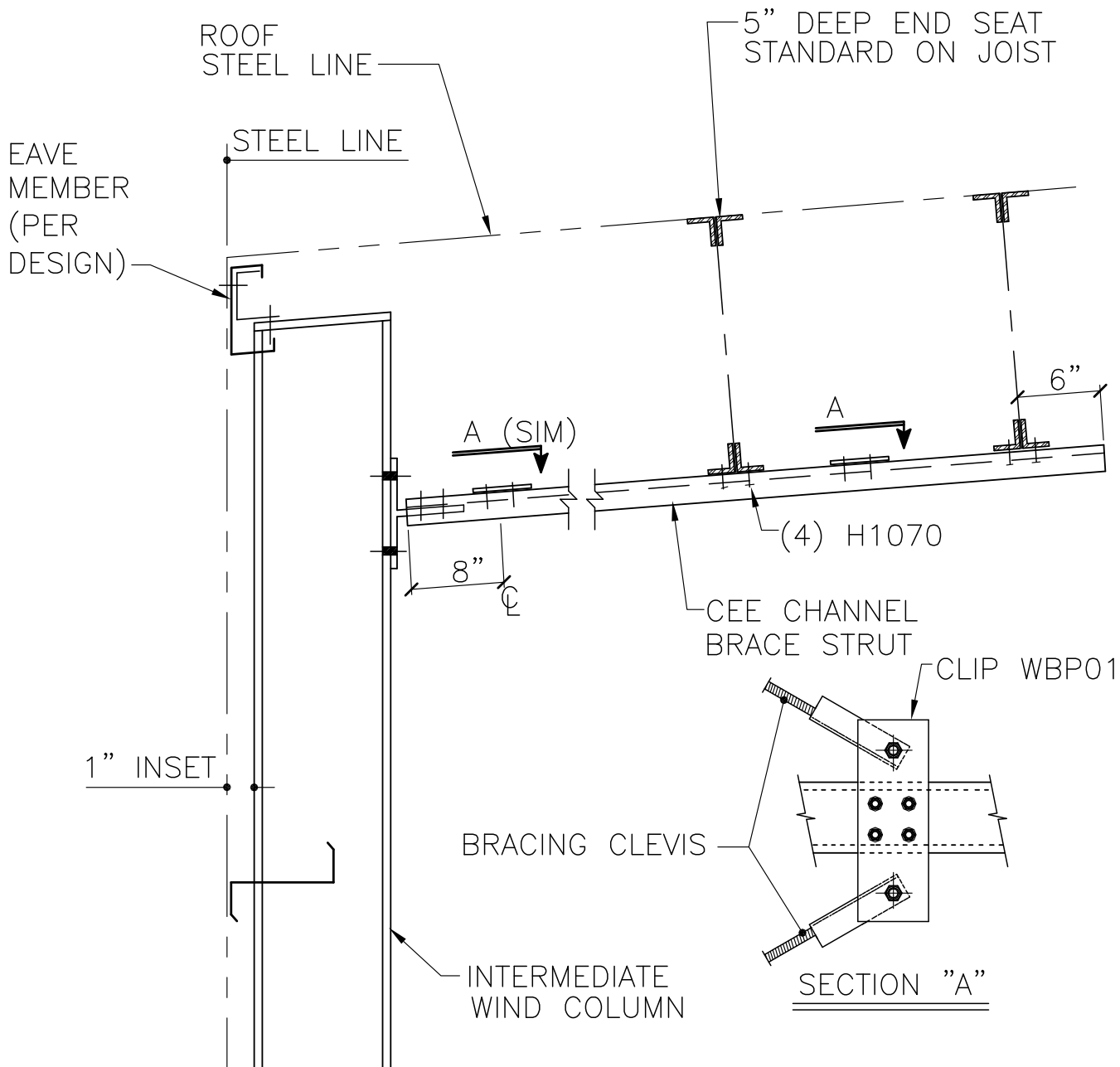
<p>LAST REVISION DATE: <u>08/24/09</u> BY: <u>DLC</u> CHK: <u>AES</u></p>	<p><u>DETAIL NAME IF APPLICABLE</u> FD0100PE.DWG</p>	<p>11.1.12</p>
---	--	-----------------------

FD0110PE – RIGID FRAME KNEE W/JOISTS HIGH EAVE - BYPASS



SIDEWALL WIND COLUMN

FD0120PE – SIDEWALL WIND COLUMN W/JOISTS LOW EAVE – INSET

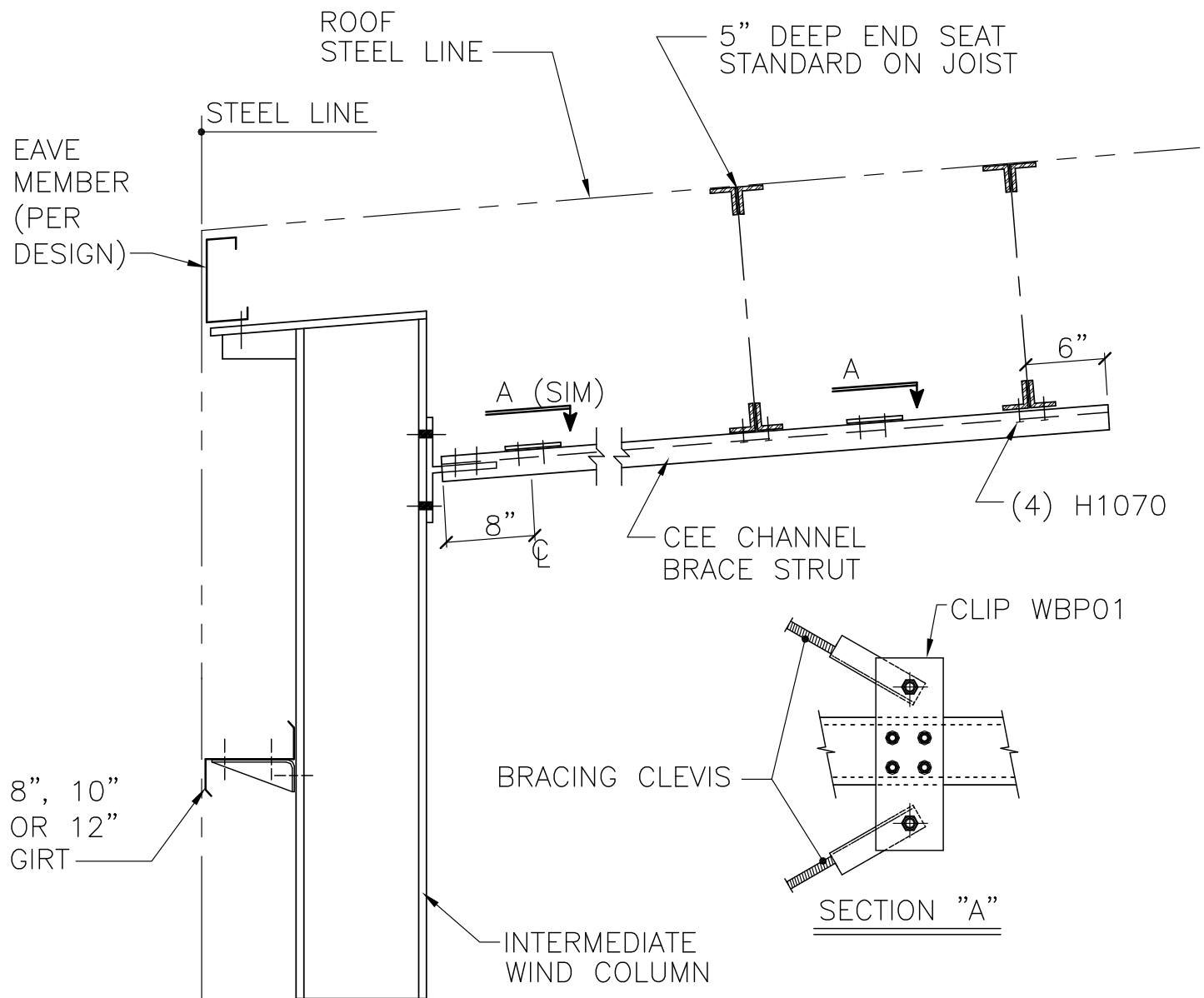


LAST REVISION
 DATE: 08/24/09
 BY: DLC CHK: AES

DETAIL NAME IF APPLICABLE
FD0120PE.DWG

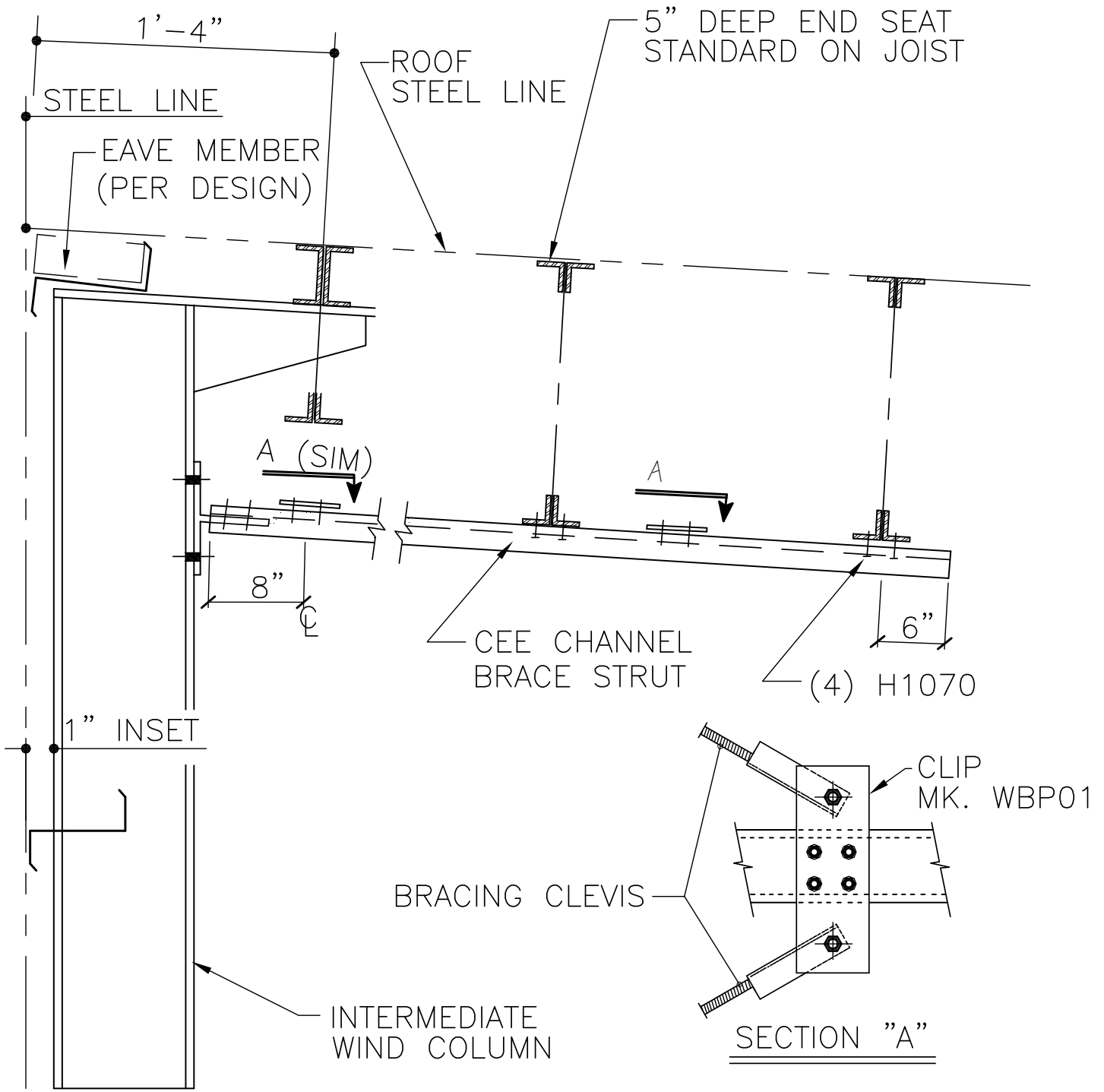
11.1.14

FD0130PE – SIDEWALL WIND COLUMN W/JOISTS LOW EAVE - BYPASS



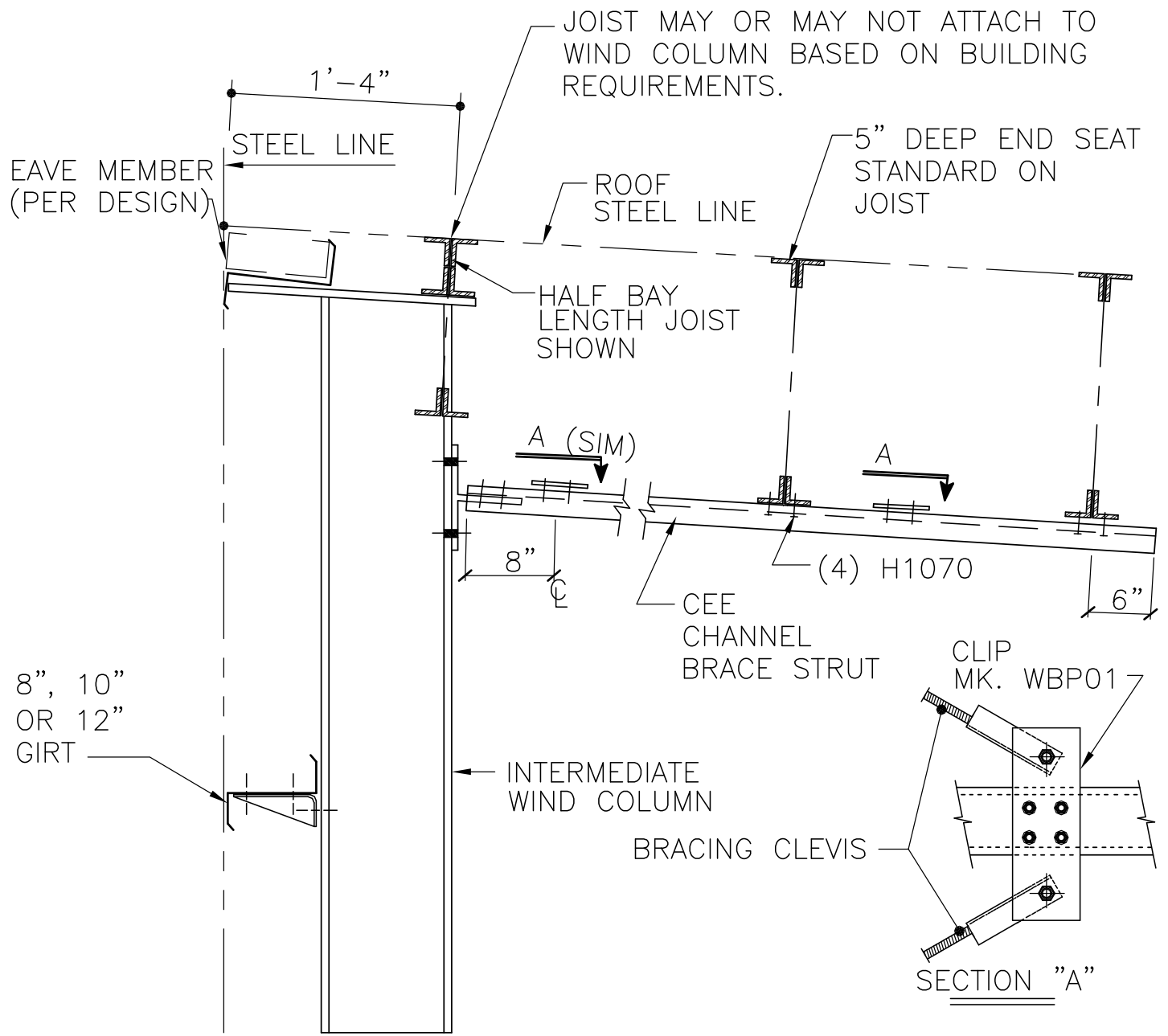
LAST REVISION DATE: 08/24/09 BY: <u>DLC</u> CHK: <u>AES</u>	<u>DETAIL NAME IF APPLICABLE</u> FD0130PE.DWG	11.1.15
---	---	----------------

FD0140PE – SIDEWALL WIND COLUMN W/JOISTS HIGH EAVE – INSET



LAST REVISION DATE: 08/24/09 BY: <u>DLC</u> CHK: <u>AES</u>	<u>DETAIL NAME IF APPLICABLE</u> FD0140PE.DWG	11.1.16
---	---	----------------

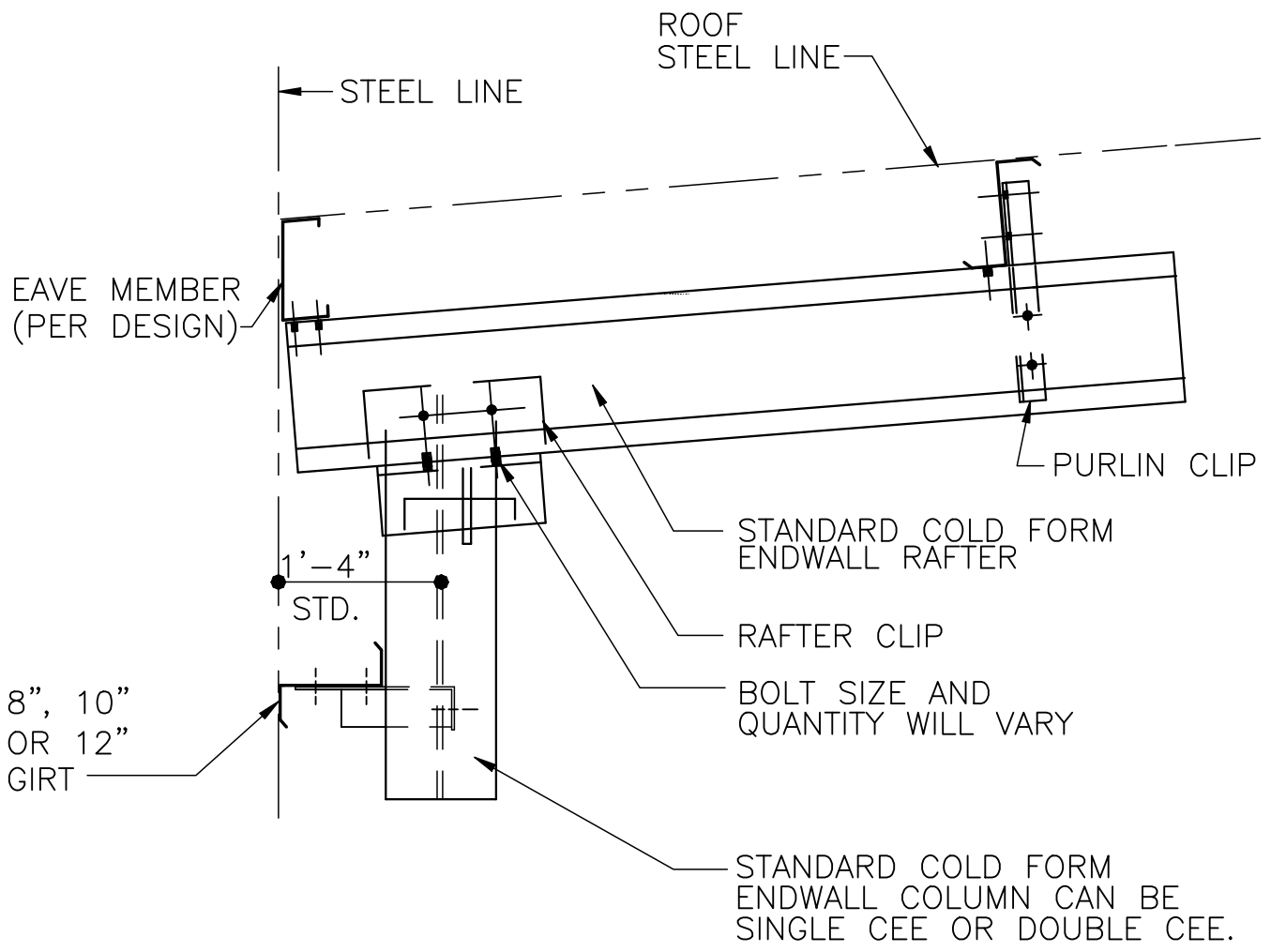
FD0150PE – SIDEWALL WIND COLUMN W/JOISTS HIGH EAVE - BYPASS



LAST REVISION DATE: 08/24/09 BY: <u>DLC</u> CHK: <u>AES</u>	DETAIL NAME IF APPLICABLE FD0150PE.DWG	11.1.17
---	--	----------------

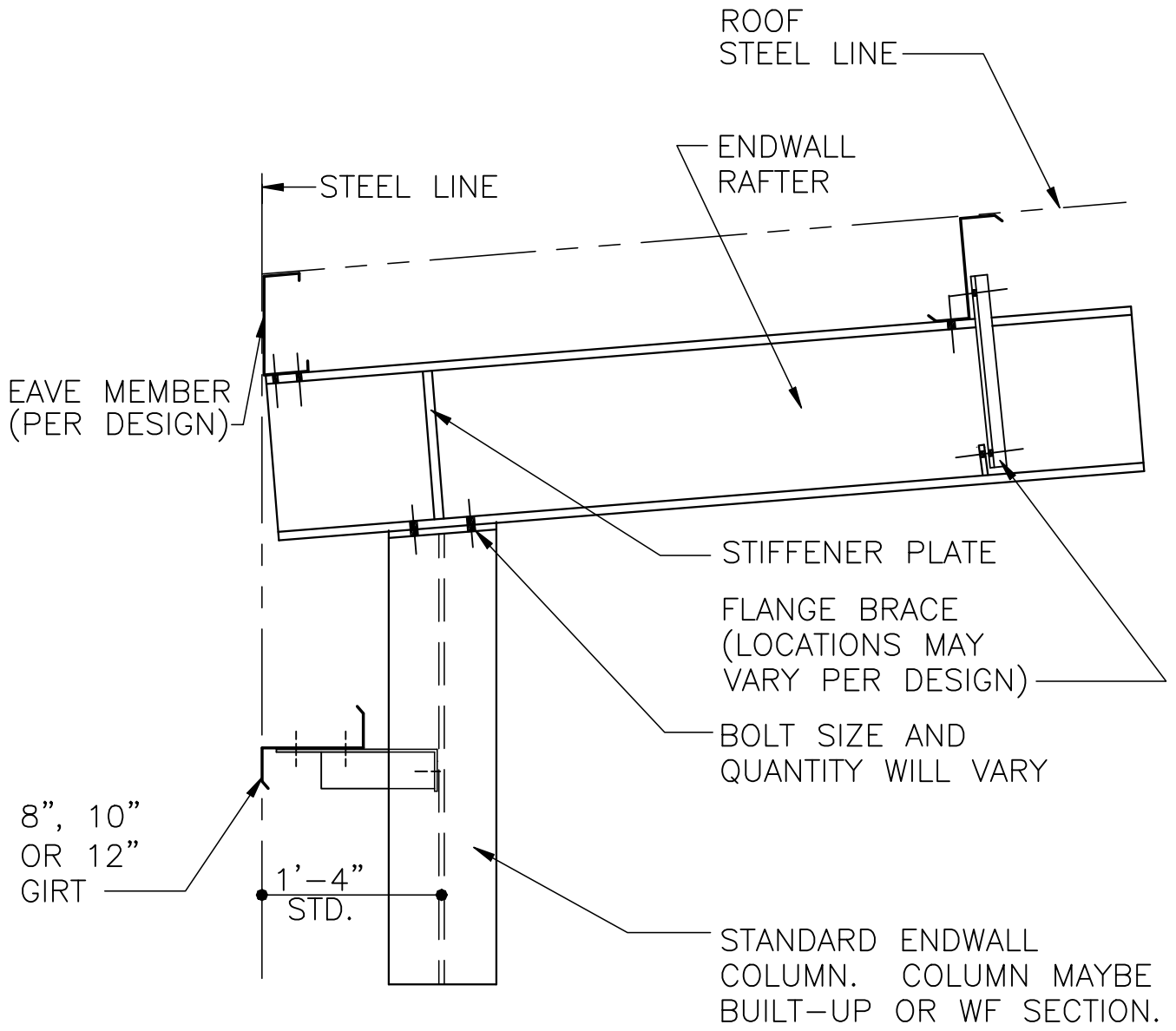
POST & BEAM

FD0160PE – ENDWALL CORNER COLUMN W/PURLINS LOW EAVE-(C.F. COL. & RAFTER)



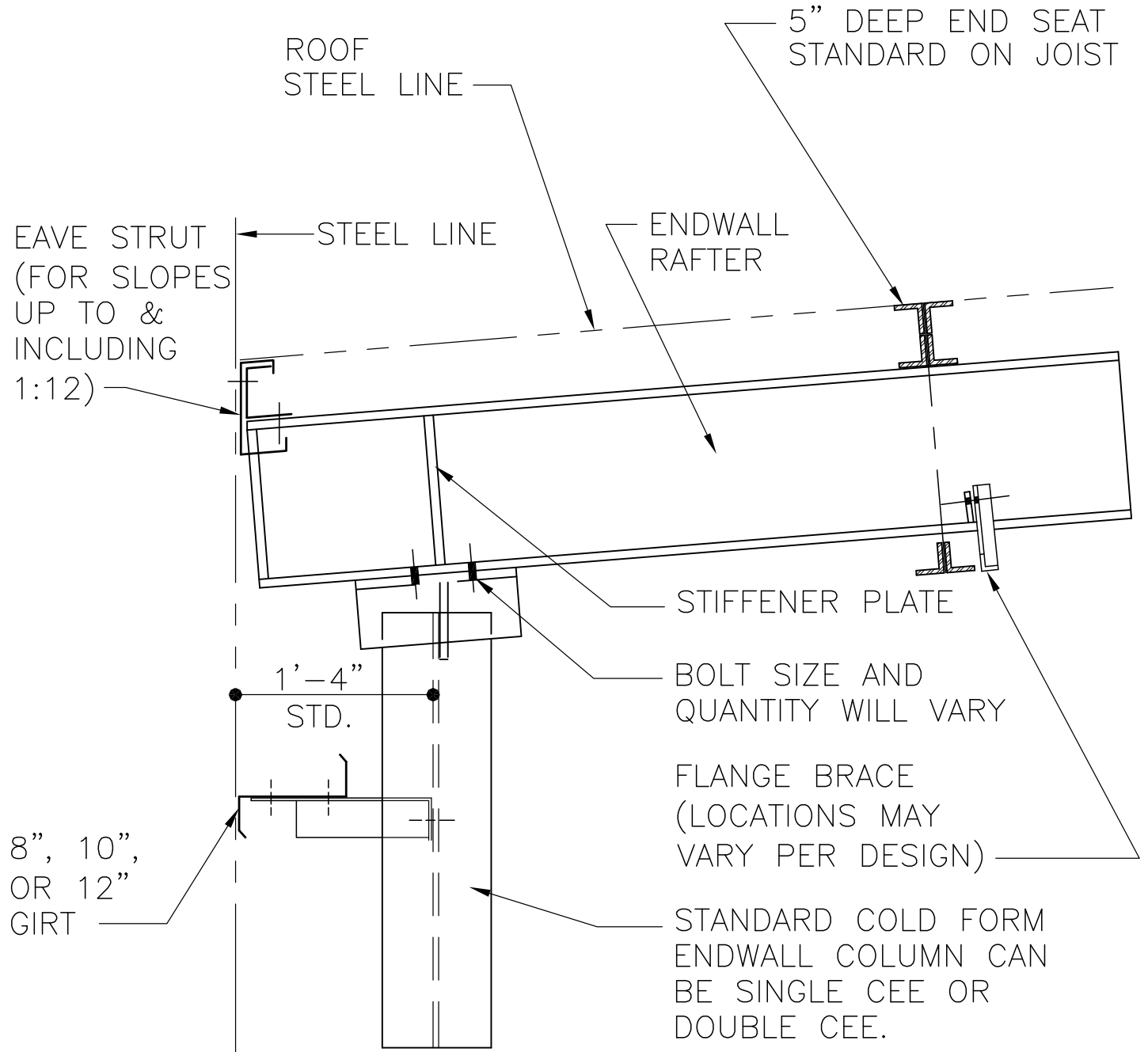
LAST REVISION DATE: <u>02/09/01</u> BY: <u>CDM</u> CHK: <u>RJF</u>	<u>DETAIL NAME IF APPLICABLE</u> FD0160PE.DWG	11.1.18
--	---	----------------

FD0170PE – ENDWALL CORNER COLUMN W/PURLINS LOW EAVE-(H - SECTION)

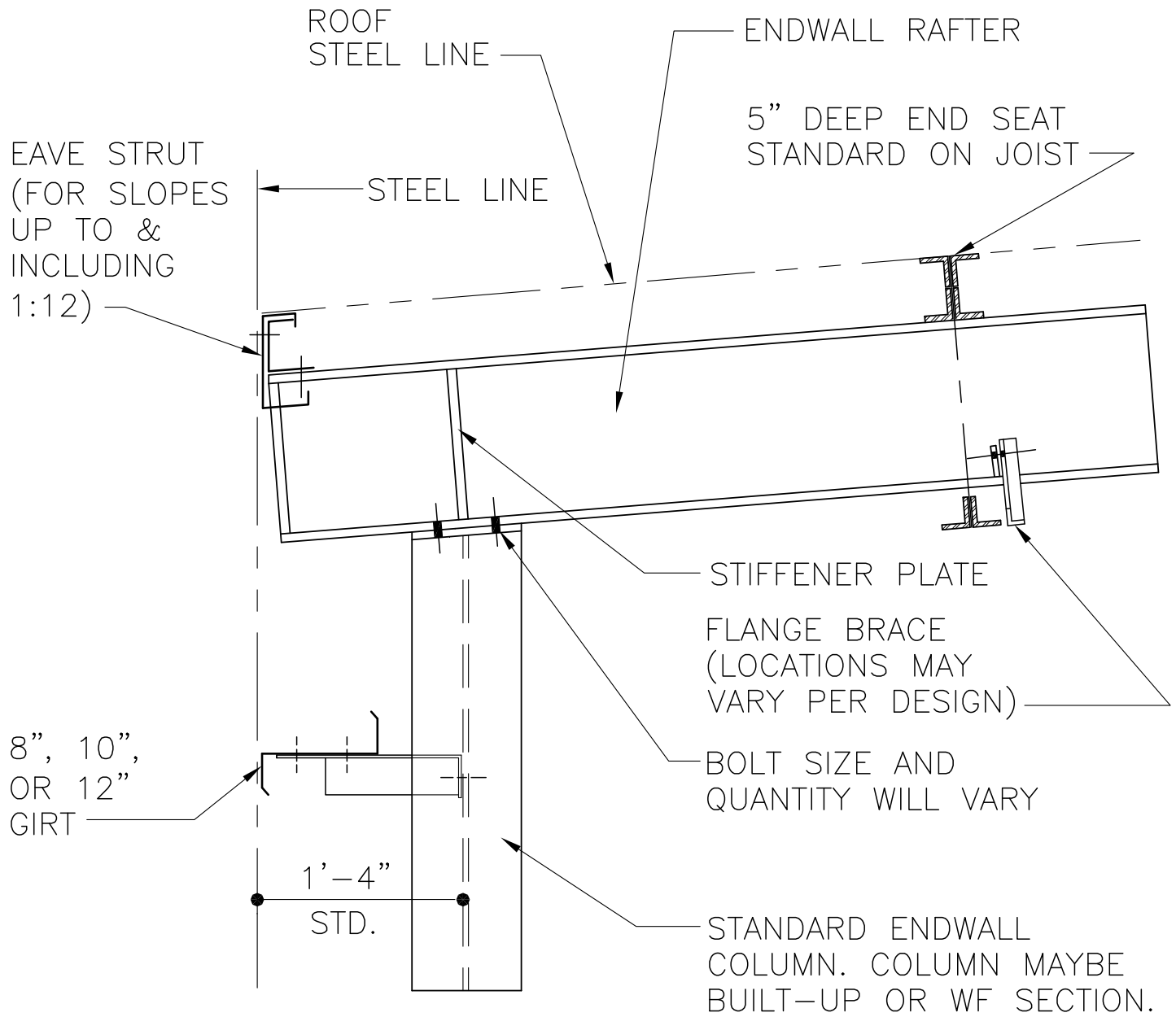


<p>LAST REVISION DATE: <u>02/09/01</u> BY: <u>CDM</u> CHK: <u>RJF</u></p>	<p><u>DETAIL NAME IF APPLICABLE</u> FD0170PE.DWG</p>	<p>11.1.19</p>
---	--	-----------------------

FD0180PE – ENDWALL CORNER COLUMN W/JOISTS LOW EAVE-(C.F.COLUMN)



FD0190PE – ENDWALL CORNER COLUMN W/JOISTS LOW EAVE - (H - SECTION)

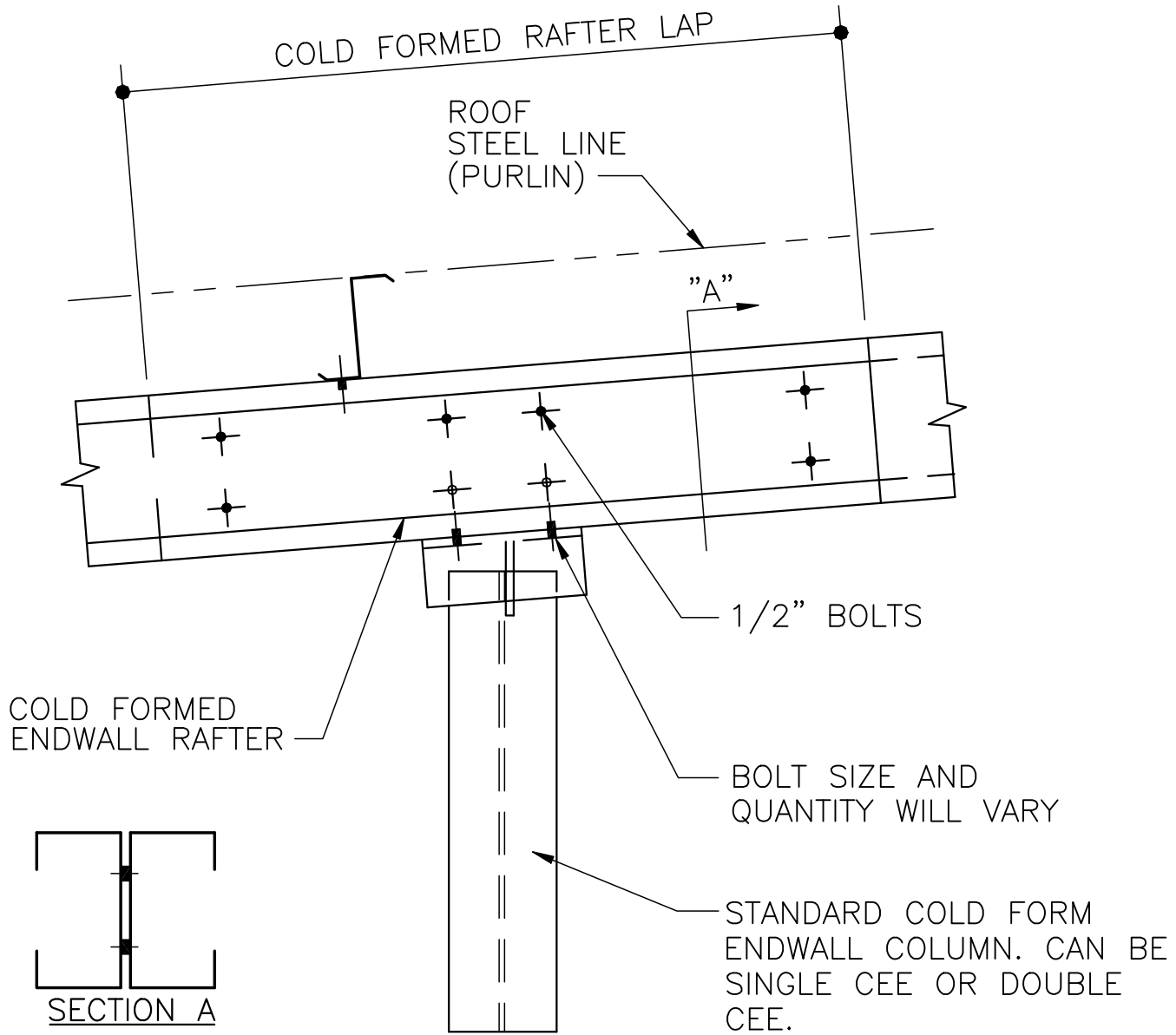


LAST REVISION
 DATE: 08/24/09
 BY: DLC CHK: AES

DETAIL NAME IF APPLICABLE
FD0190PE.DWG

11.1.21

FD0200PE – TOP OF ENDWALL COLUMN (C.F. COL. & RAFTER)

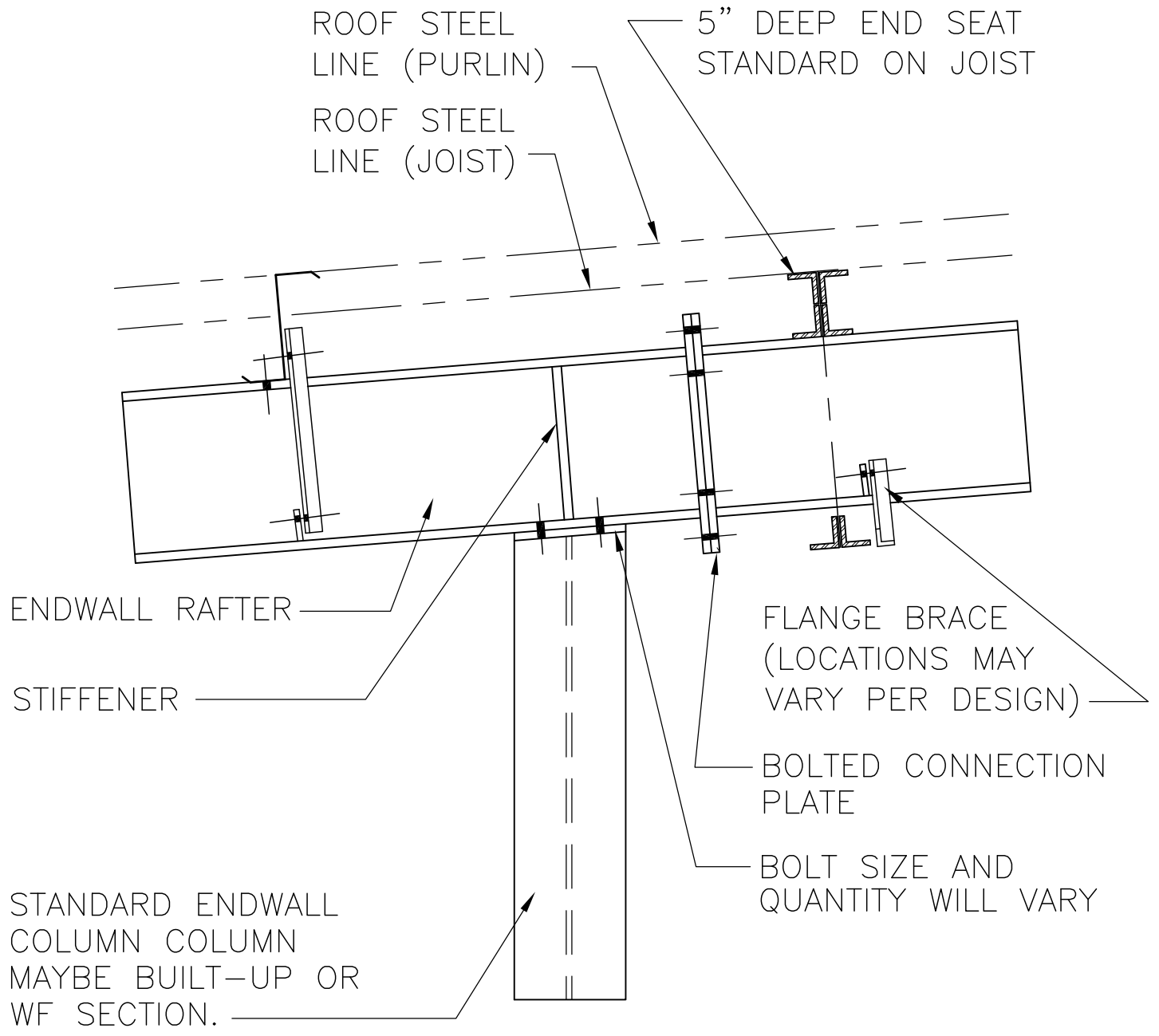


LAST REVISION
 DATE: 02/09/01
 BY: CDM CHK: RJF

DETAIL NAME IF APPLICABLE
FD0200PE.DWG

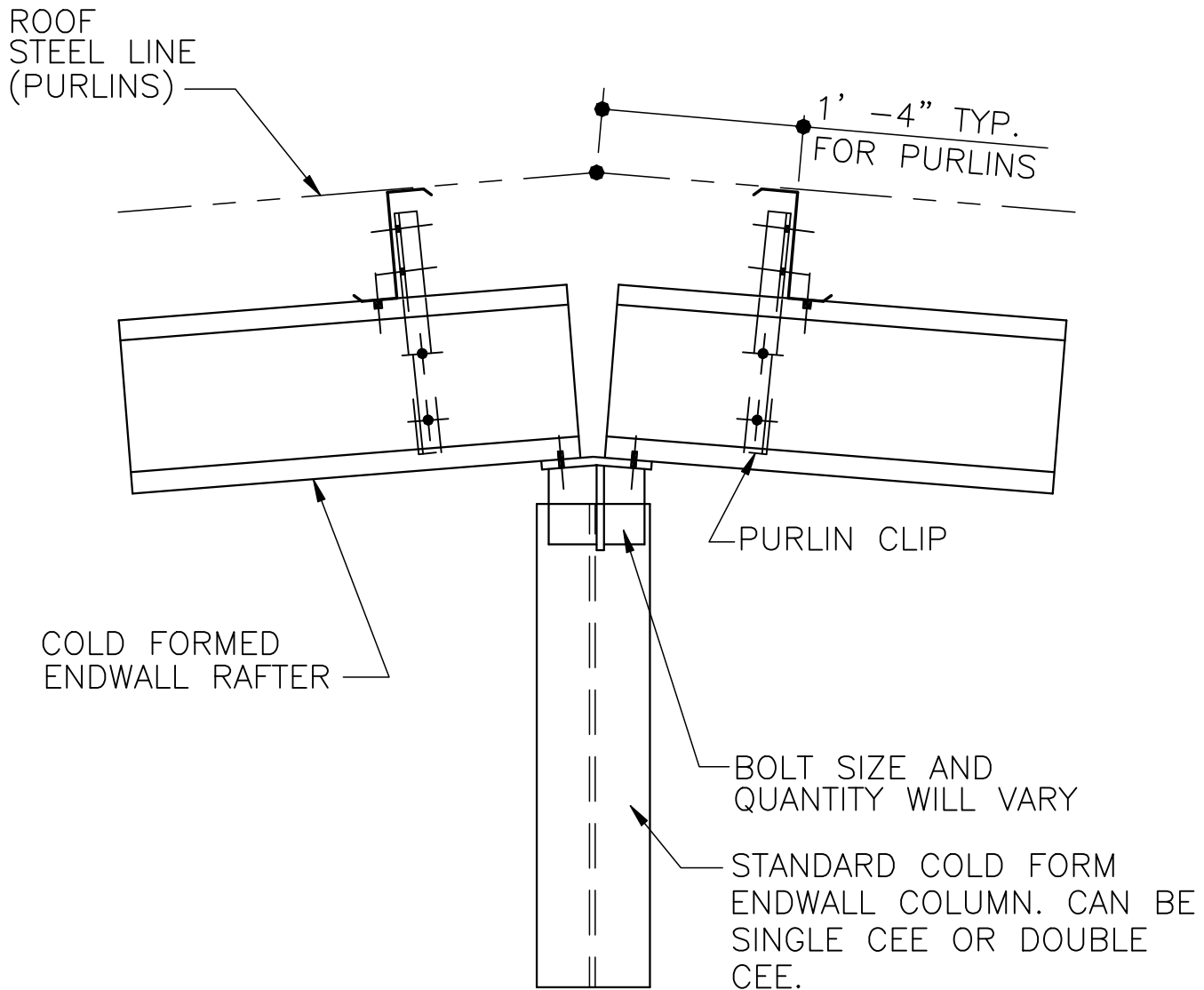
11.1.22

FD0210PE – TOP OF ENDWALL COLUMN (H - SECTION)



<p>LAST REVISION DATE: <u>08/24/09</u> BY: <u>DLC</u> CHK: <u>AES</u></p>	<p><u>DETAIL NAME IF APPLICABLE</u> FD0210PE.DWG</p>	<p>11.1.23</p>
---	--	-----------------------

FD0220PE – ENDWALL RIDGE W/CENTER COLUMN (C.F. RAFTER)

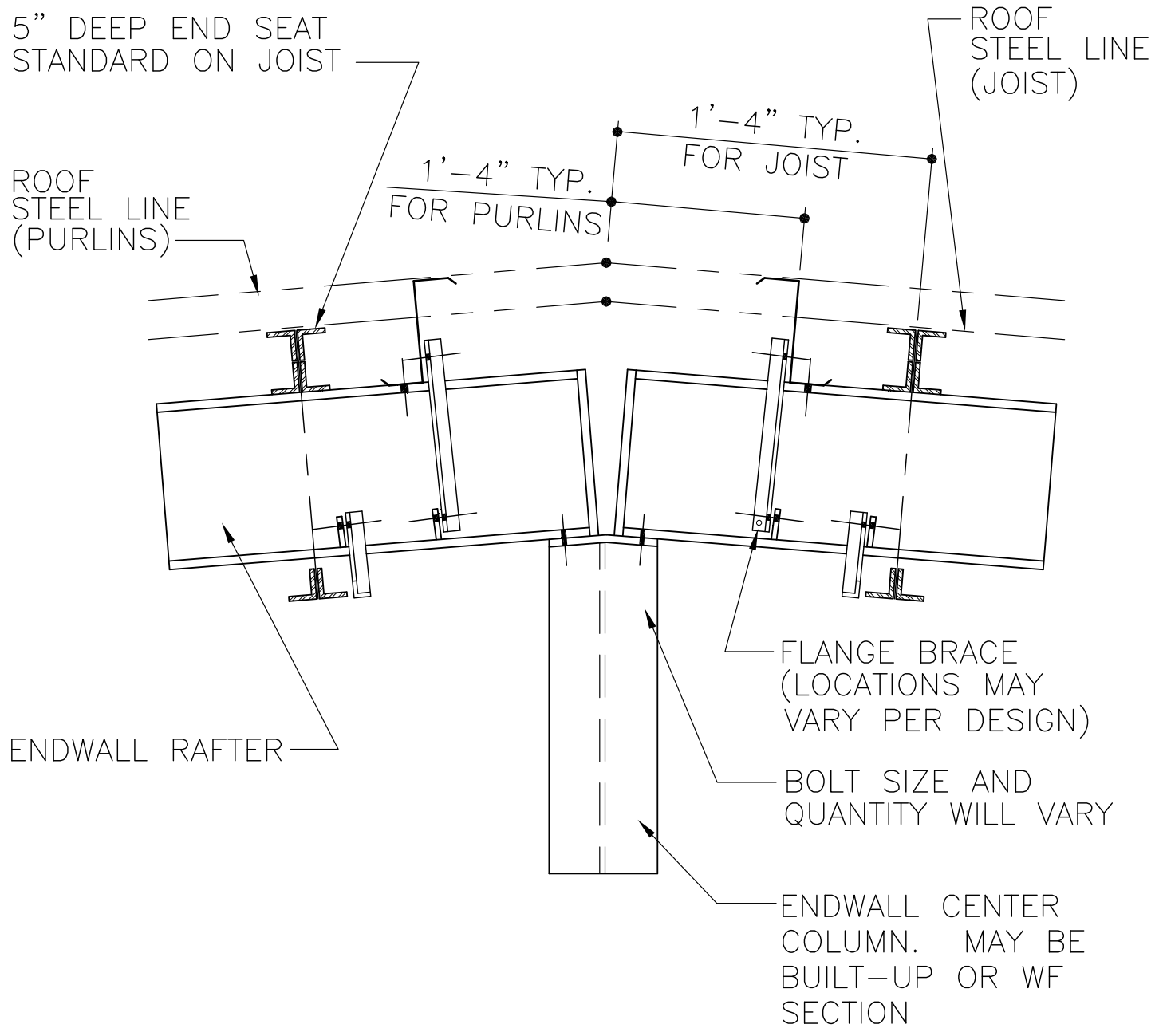


LAST REVISION DATE: <u>02/09/01</u> BY: <u>CDM</u> CHK: <u>RJF</u>
--

<u>DETAIL NAME IF APPLICABLE</u> FD0220PE.DWG

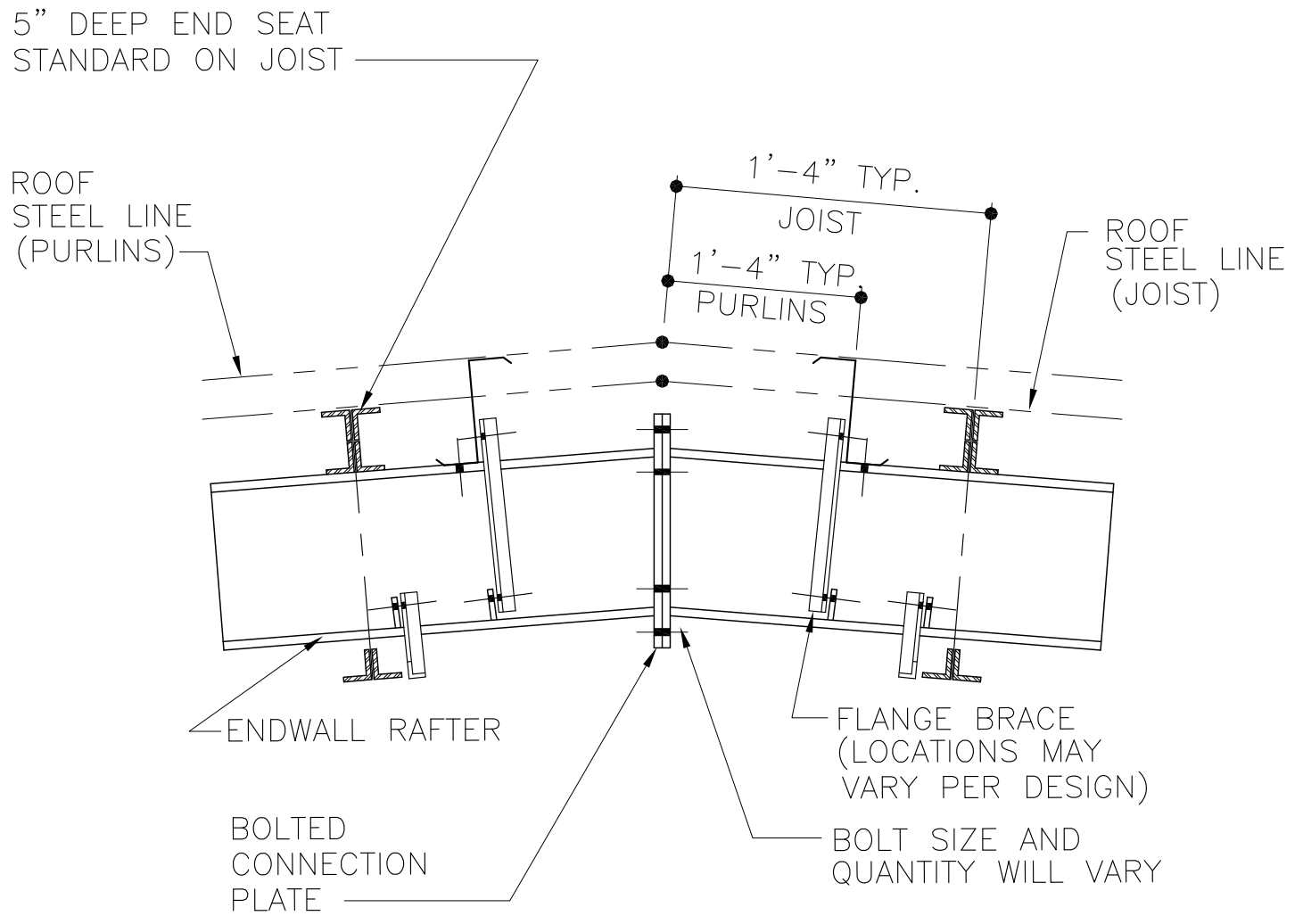
11.1.24

FD0230PE – ENDWALL RIDGE CONDITION W/CENTER COLUMN (H - SECTION)



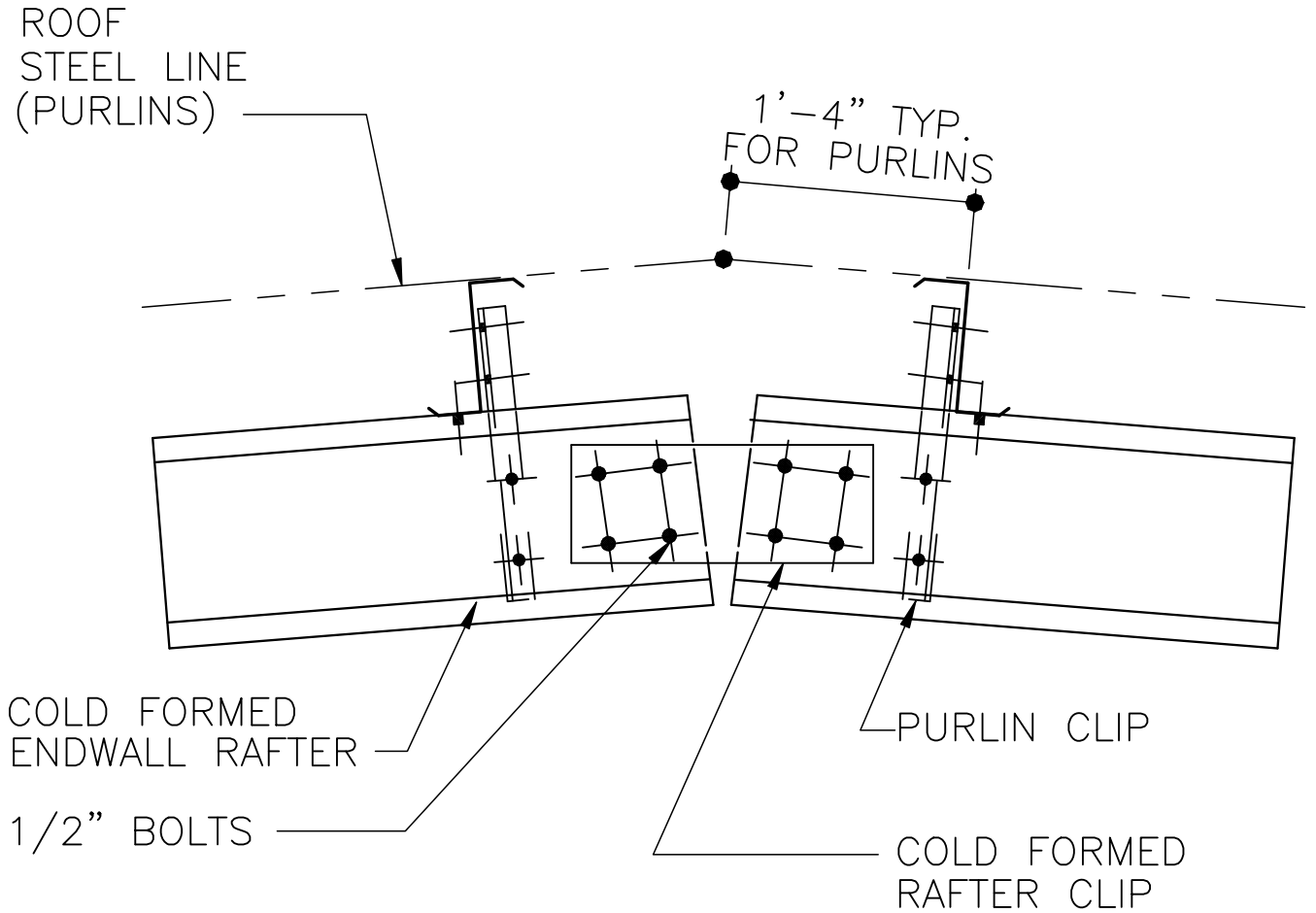
LAST REVISION DATE: <u>08/24/09</u> BY: <u>DLC</u> CHK: <u>AES</u>	<u>DETAIL NAME IF APPLICABLE</u> FD0230PE.DWG	11.1.25
--	---	----------------

FD0240PE – ENDWALL RIDGE CONDITION WITHOUT CENTER COLUMN (H - SECTION)



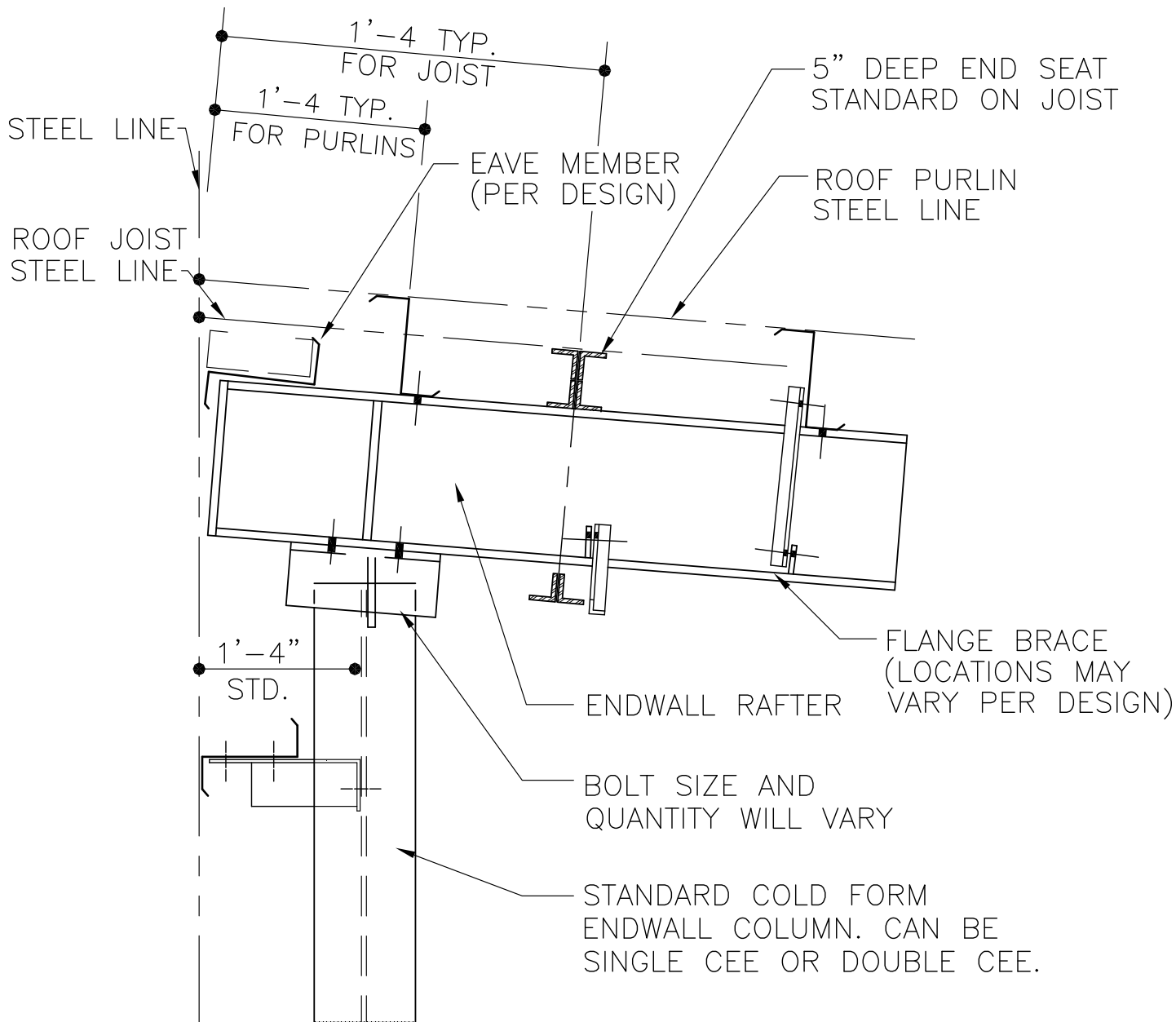
LAST REVISION DATE: <u>08/24/09</u> BY: <u>DLC</u> CHK: <u>AES</u>	<u>DETAIL NAME IF APPLICABLE</u> FD0240PE.DWG	11.1.26
--	---	----------------

FD0245PE – ENDWALL RIDGE CONDITION WITHOUT CENTER COLUMN (C.F. RAFTER)

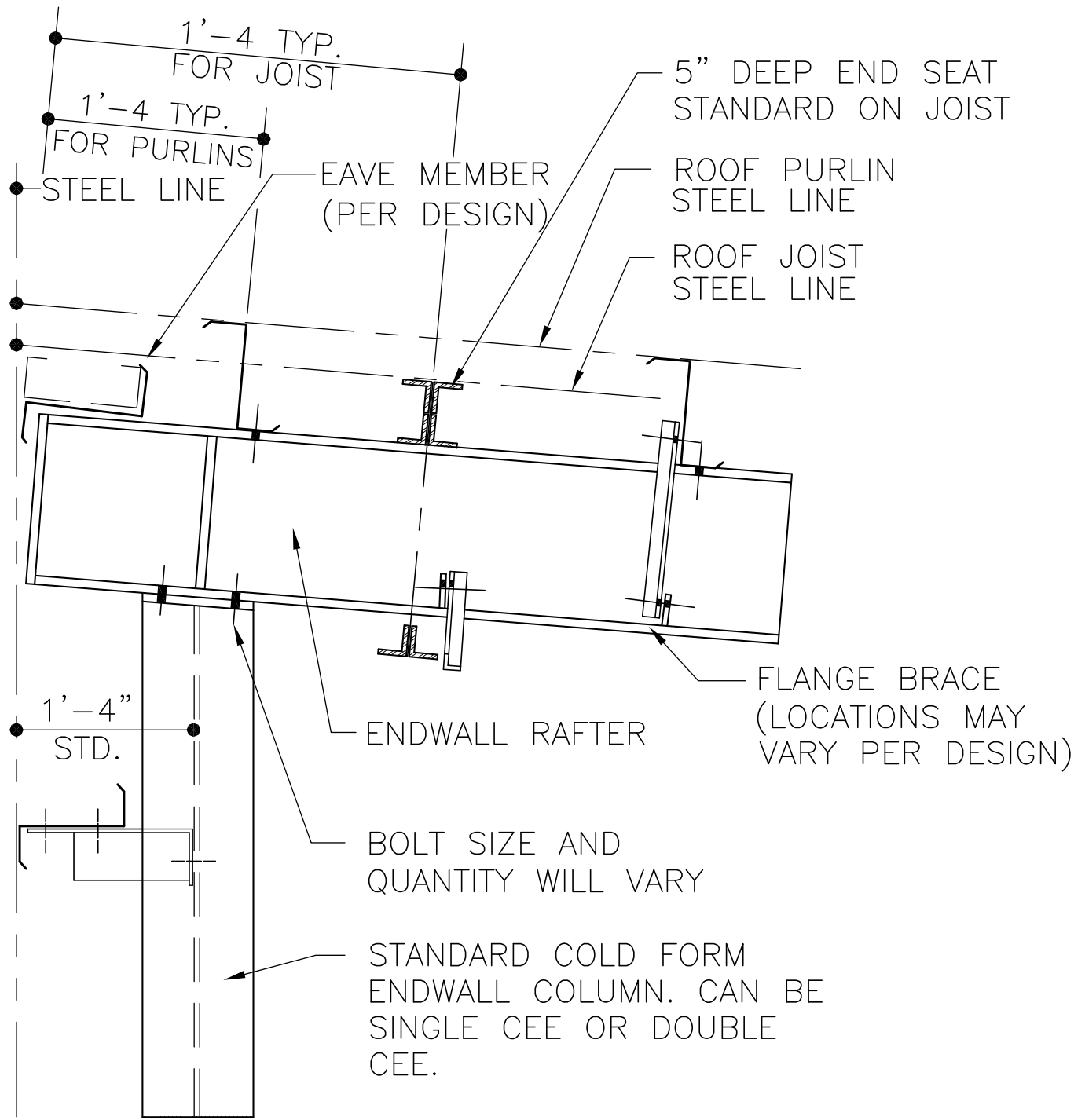


<p>LAST REVISION DATE: <u>02/09/01</u> BY: <u>CDM</u> CHK: <u>RJF</u></p>	<p><u>DETAIL NAME IF APPLICABLE</u> FD0245PE.DWG</p>	<p>11.1.27</p>
---	--	-----------------------

FD0250PE – ENDWALL CORNER COLUMN HIGH EAVE (C.F. COLUMN)



FD0260PE – ENDWALL CORNER COLUMN HIGH EAVE (H - SECTION)

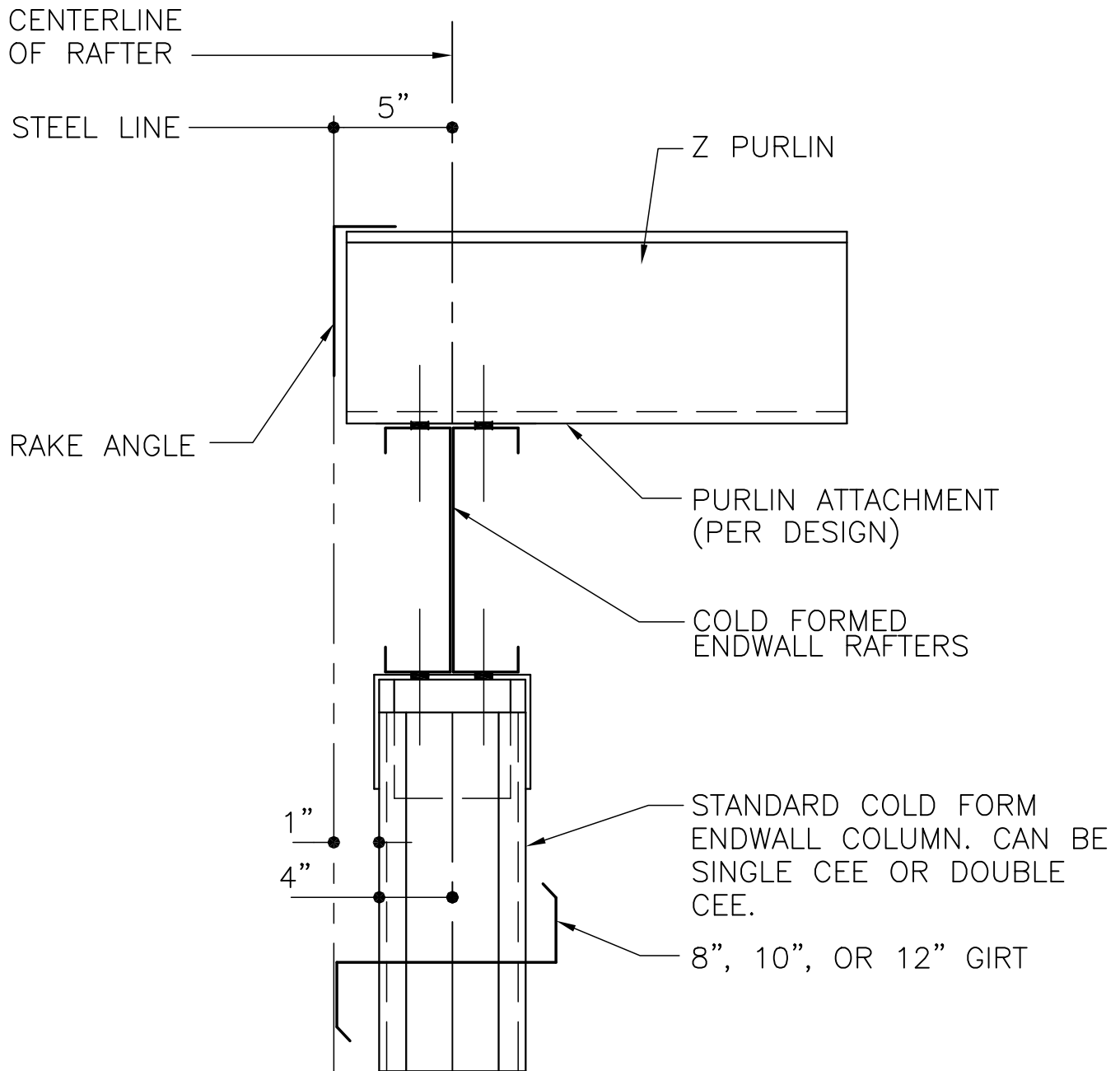


LAST REVISION
 DATE: 08/24/09
 BY: DLC CHK: AES

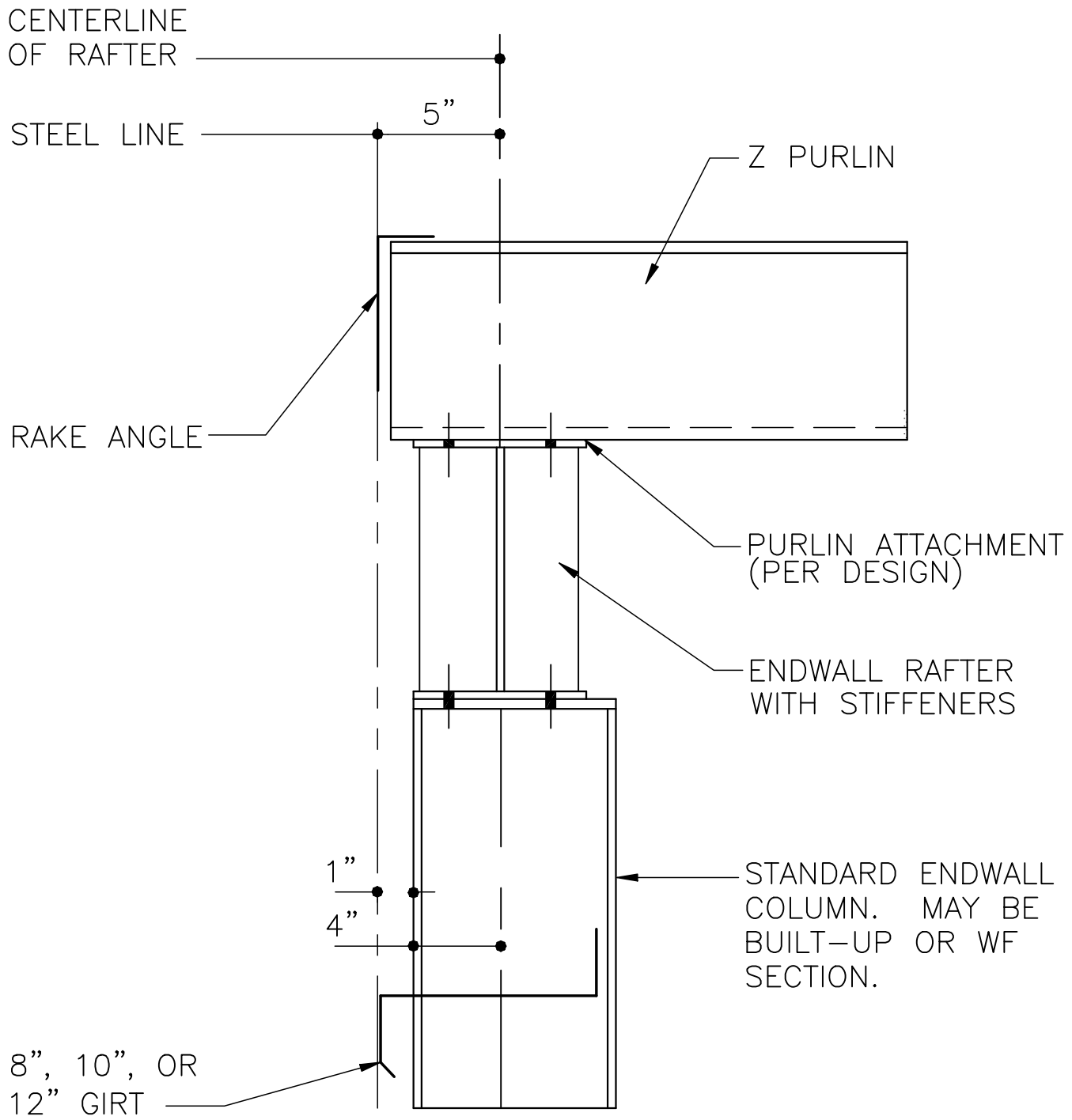
DETAIL NAME IF APPLICABLE
FD0260PE.DWG

11.1.29

FD0270PE – ENDWALL W/PURLINS (C.F. COL. & RAFTER) – INSET



FD0280PE – ENDWALL W/PURLINS (H - SECTION) – INSET

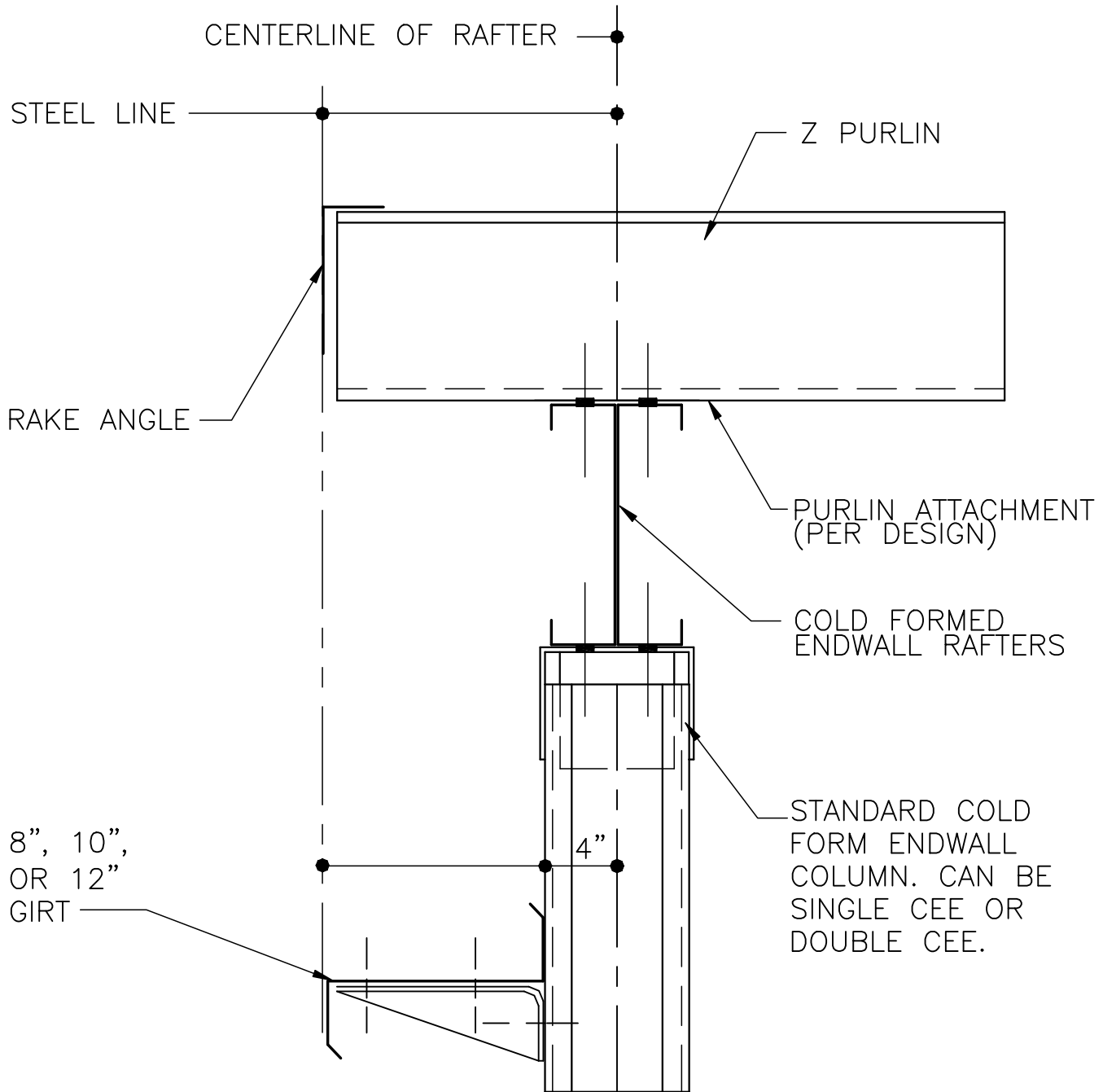


LAST REVISION DATE: <u>02/09/01</u> BY: <u>CDM</u> CHK: <u>RJF</u>
--

<u>DETAIL NAME IF APPLICABLE</u> FD0280PE.DWG

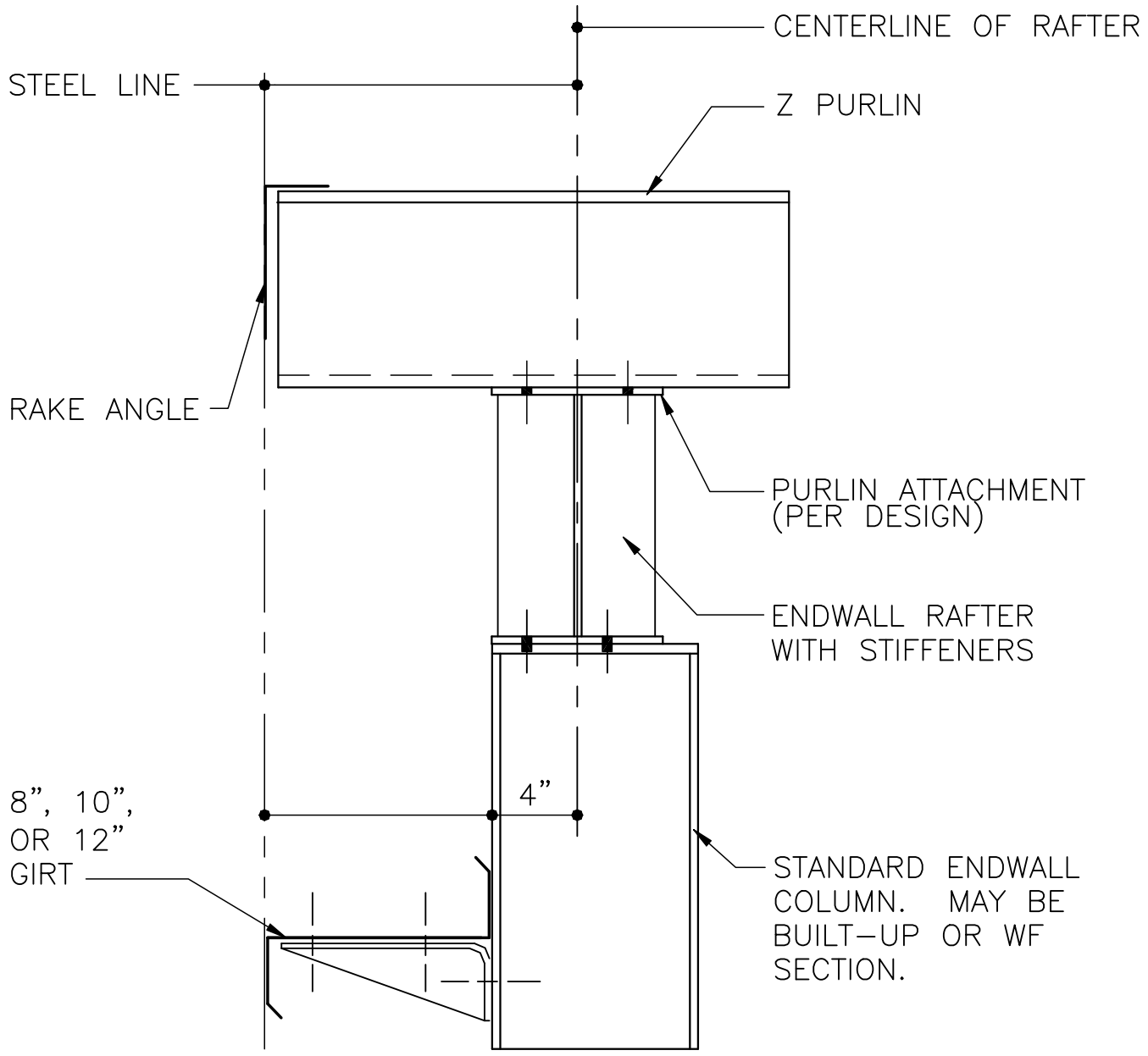
11.1.31

FD0290PE – ENDWALL W/PURLINS (C.F. COL. & RAFTER) - BYPASS

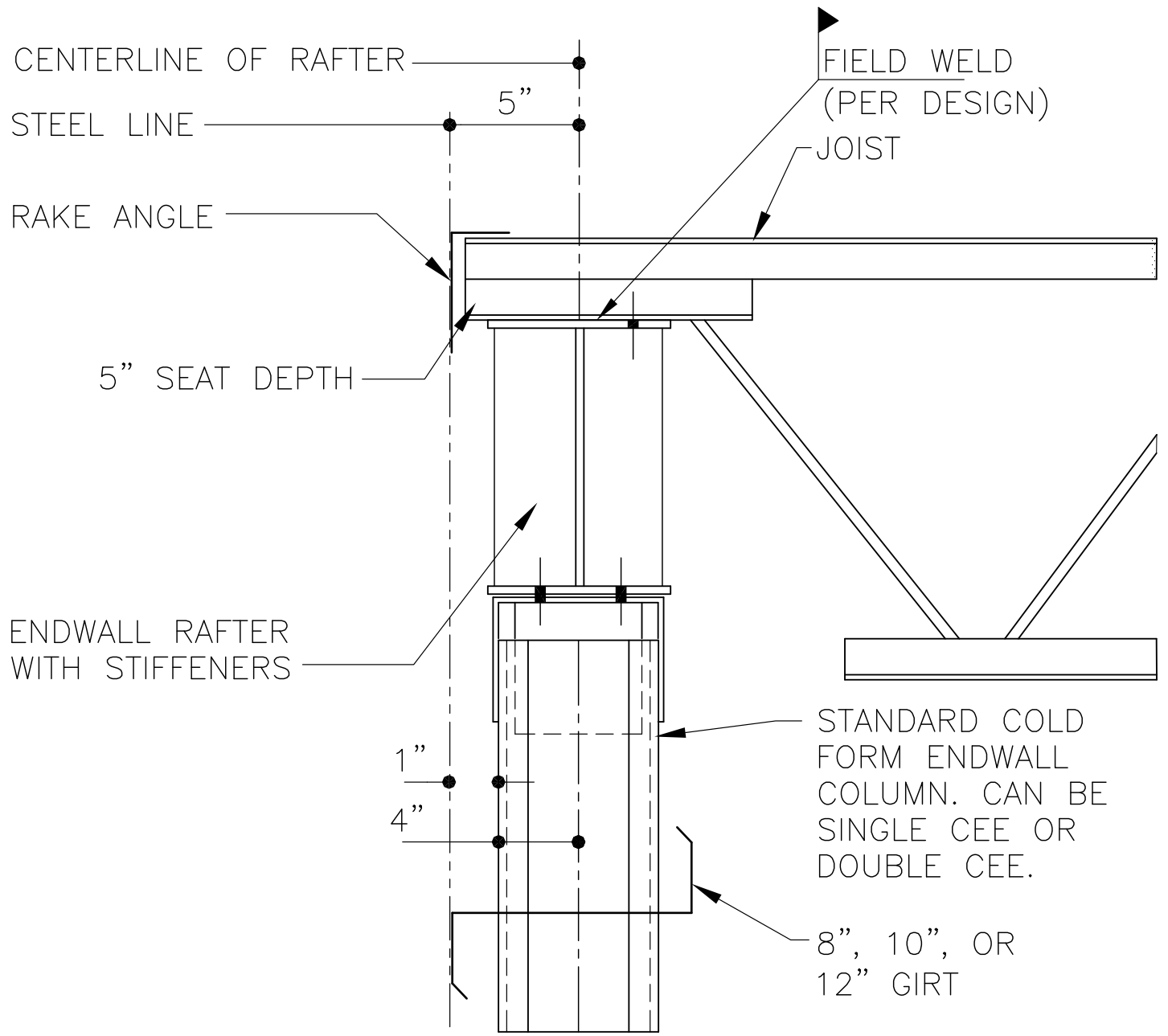


LAST REVISION DATE: <u>02/09/01</u> BY: <u>CDM</u> CHK: <u>RJF</u>	<u>DETAIL NAME IF APPLICABLE</u> FD0290PE.DWG	11.1.32
--	---	----------------

FD0300PE – ENDWALL W/PURLINS (H - SECTION) - BYPASS



FD0310PE – ENDWALL W/JOISTS (C.F. COLUMN) – INSET

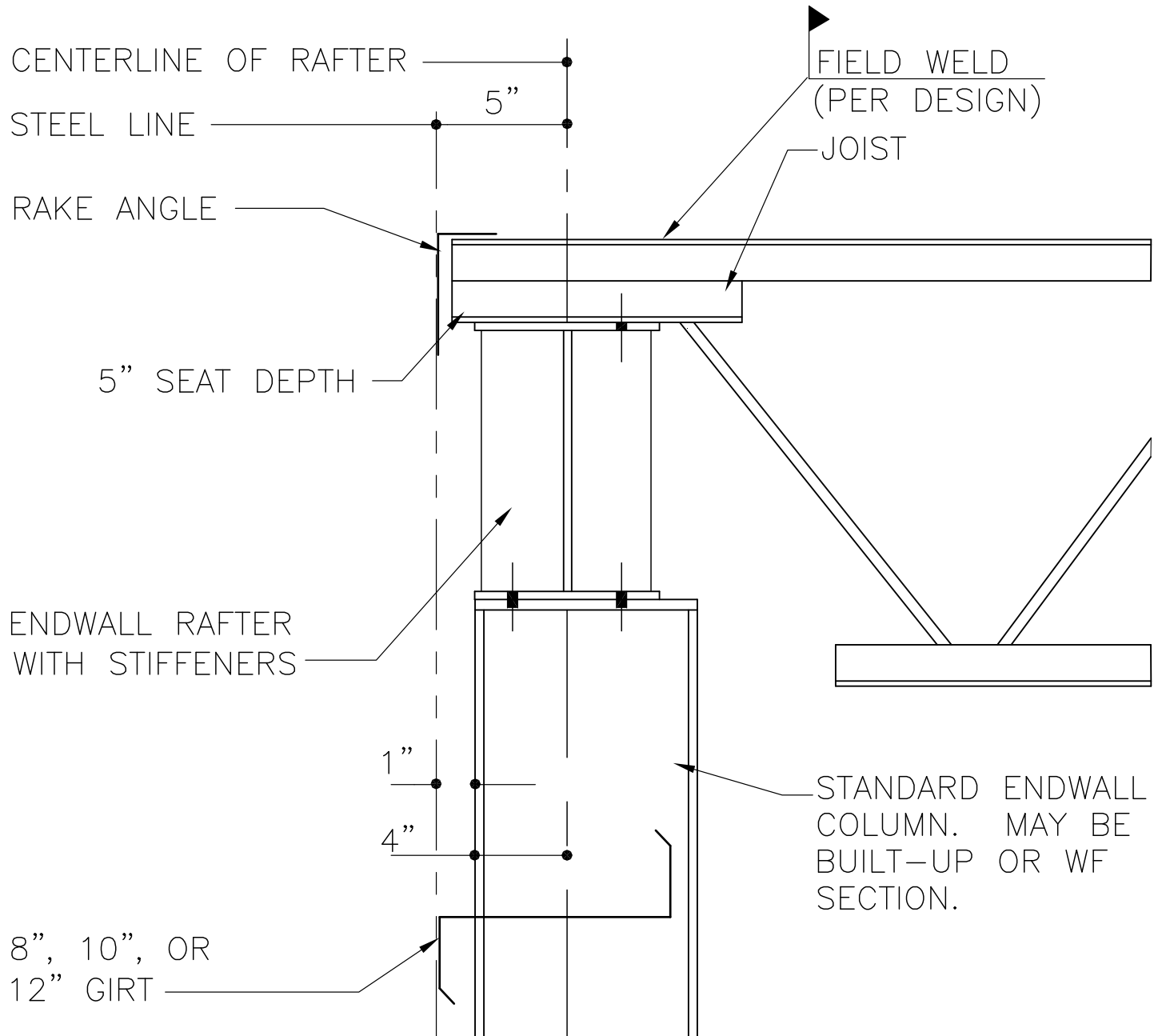


LAST REVISION DATE: <u>08/24/09</u> BY: <u>DLC</u> CHK: <u>AES</u>
--

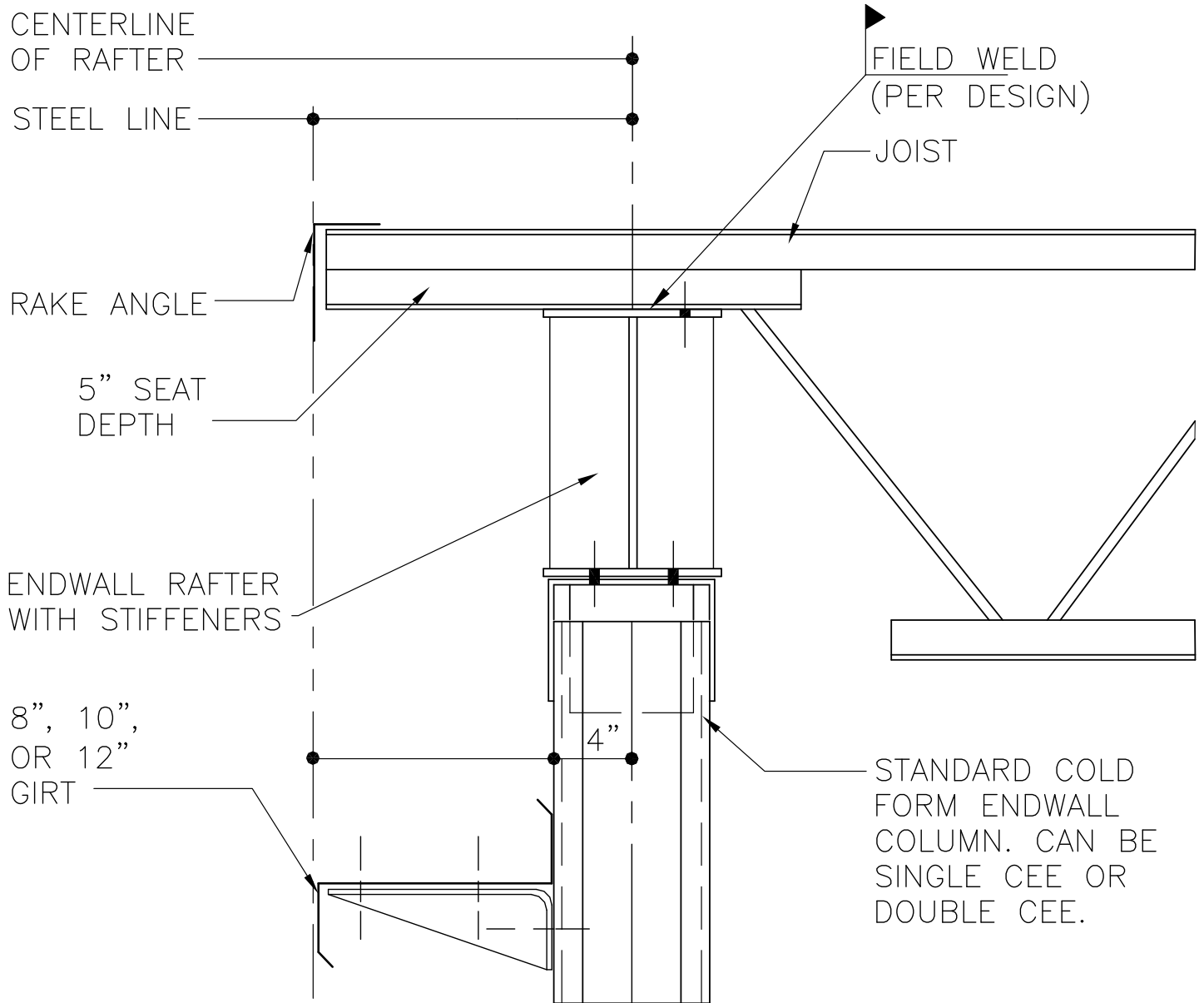
<u>DETAIL NAME IF APPLICABLE</u> FD0310PE.DWG

11.1.34

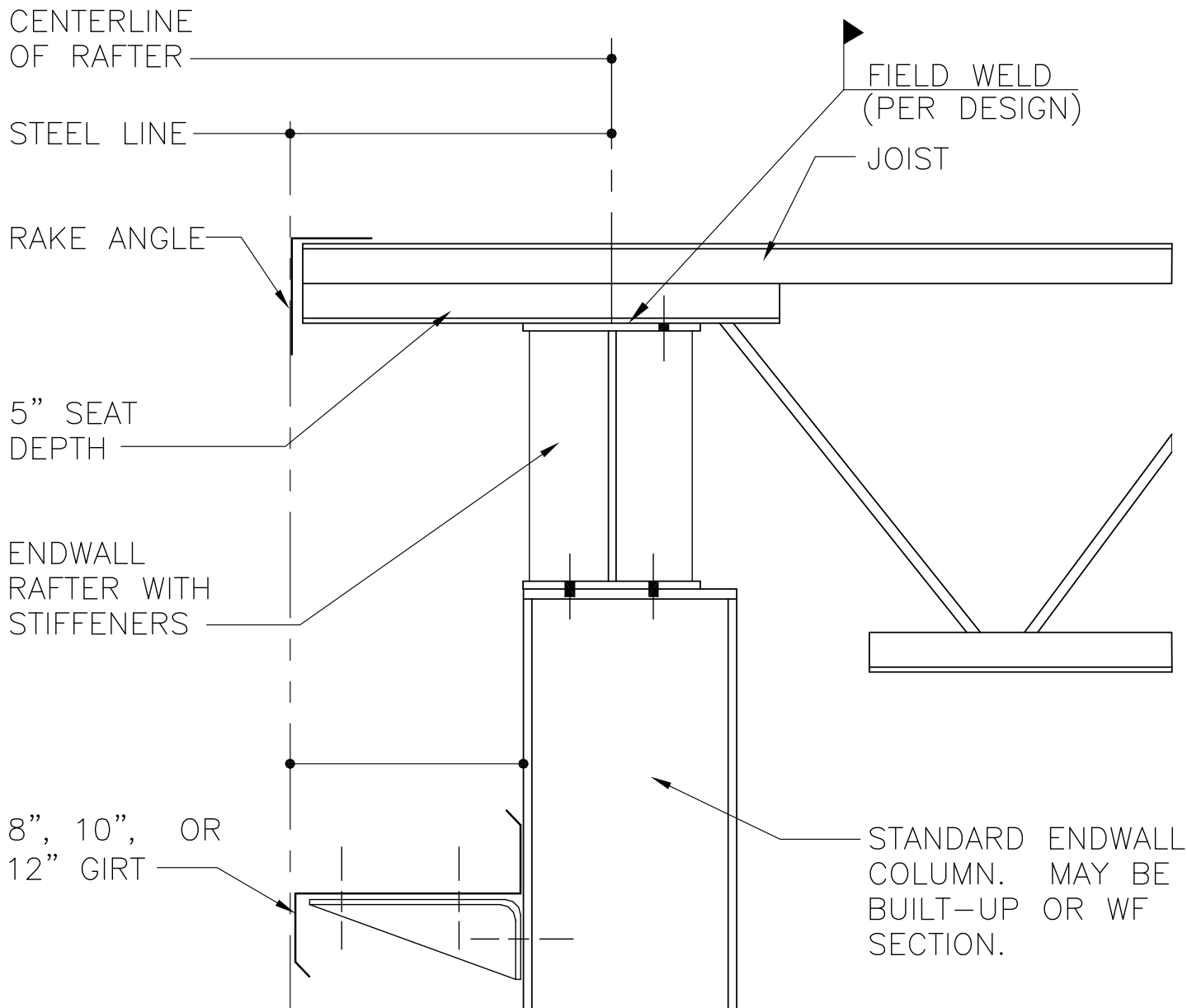
FD0330PE – ENDWALL W/JOISTS (H - SECTION) – INSET



FD0340PE – ENDWALL W/JOISTS (C.F. COLUMN) - BYPASS



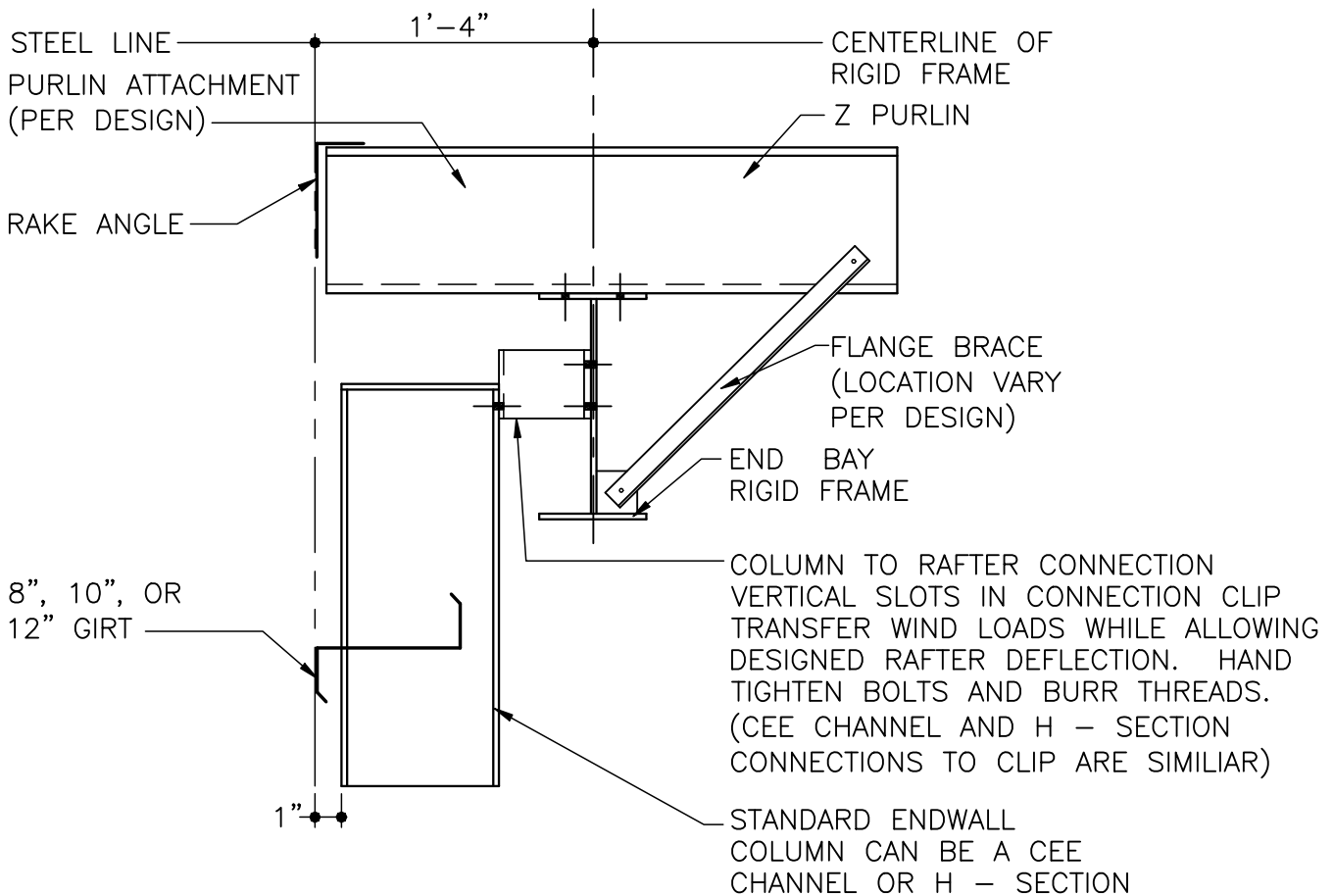
FD0350PE – ENDWALL W/JOISTS (H - SECTION) - BYPASS



RIGID FRAME ENDWALL

FD0360PE – RIGID FRAME ENDWALL W/PURLINS – INSET

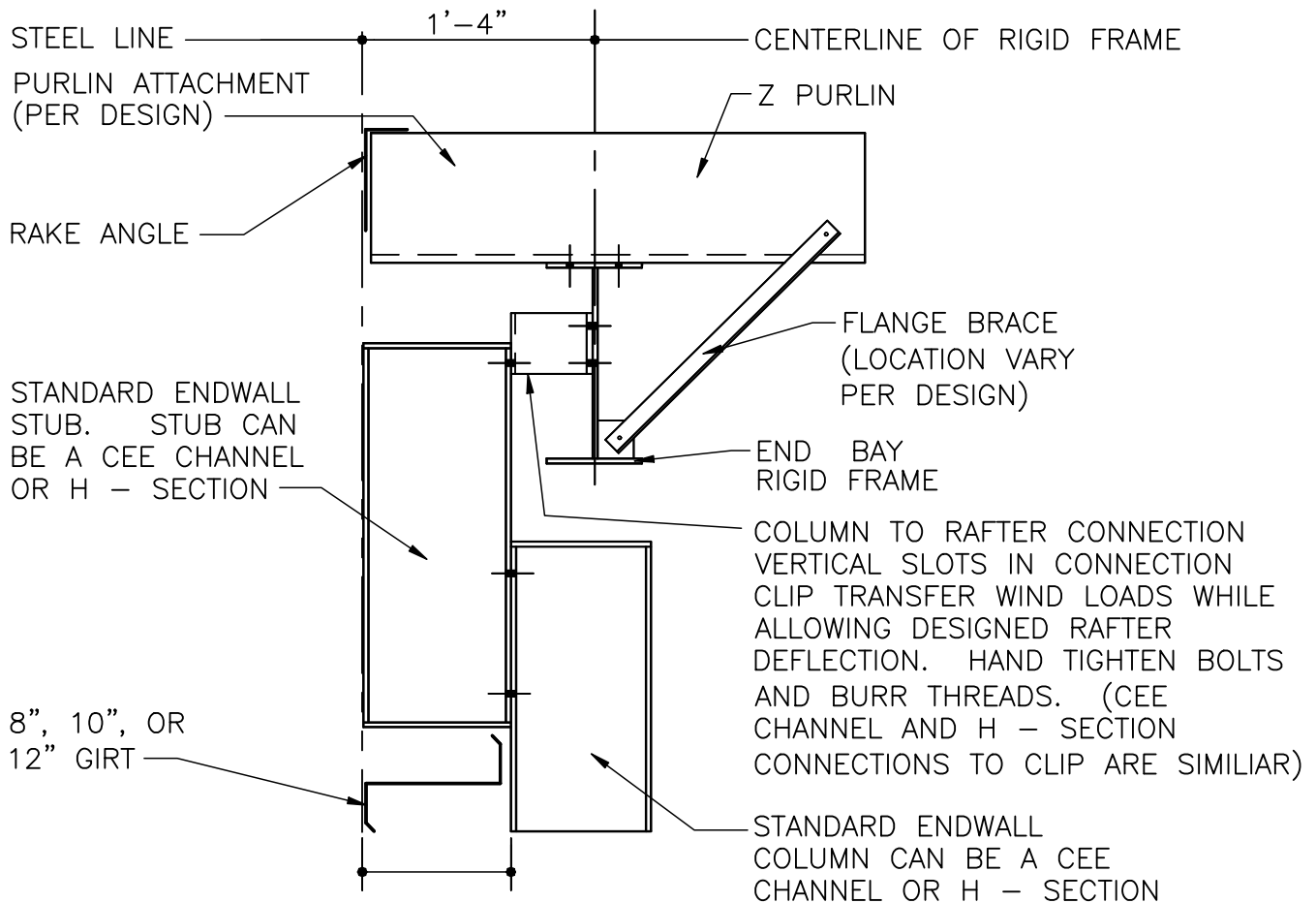
NOTE: AT EXPANDABLE ENDWALLS WHERE RAFTER FLANGE BRACING IS REQUIRED AT BOTH SIDES OF THE RAFTER, (AT THE TIME OF EXPANSION) THOSE FLANGE BRACES ARE INCLUDED & MUST BE INSTALLED AT THE TIME OF THE EXPANSION,



LAST REVISION DATE: <u>02/09/01</u> BY: <u>CDM</u> CHK: <u>RJF</u>	<u>DETAIL NAME IF APPLICABLE</u> FD0360PE.DWG	11.1.38
--	---	----------------

FD0370PE – RIGID FRAME ENDWALL W/PURLINS - BYPASS

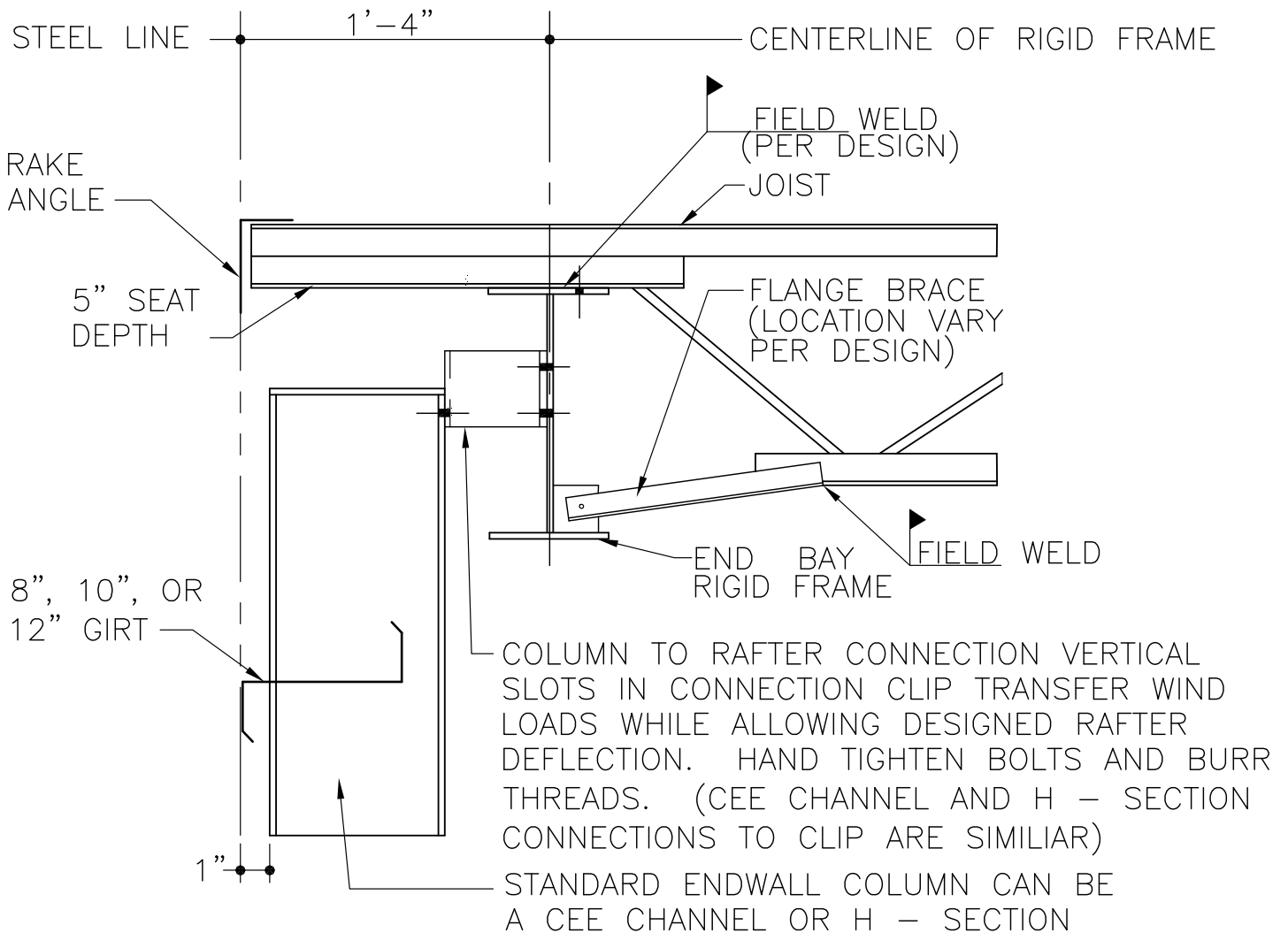
NOTE: AT EXPANDABLE ENDWALLS WHERE RAFTER FLANGE BRACING IS REQUIRED AT BOTH SIDES OF THE RAFTER, (AT THE TIME OF EXPANSION) THOSE FLANGE BRACES ARE INCLUDED & MUST BE INSTALLED AT THE TIME OF THE EXPANSION,



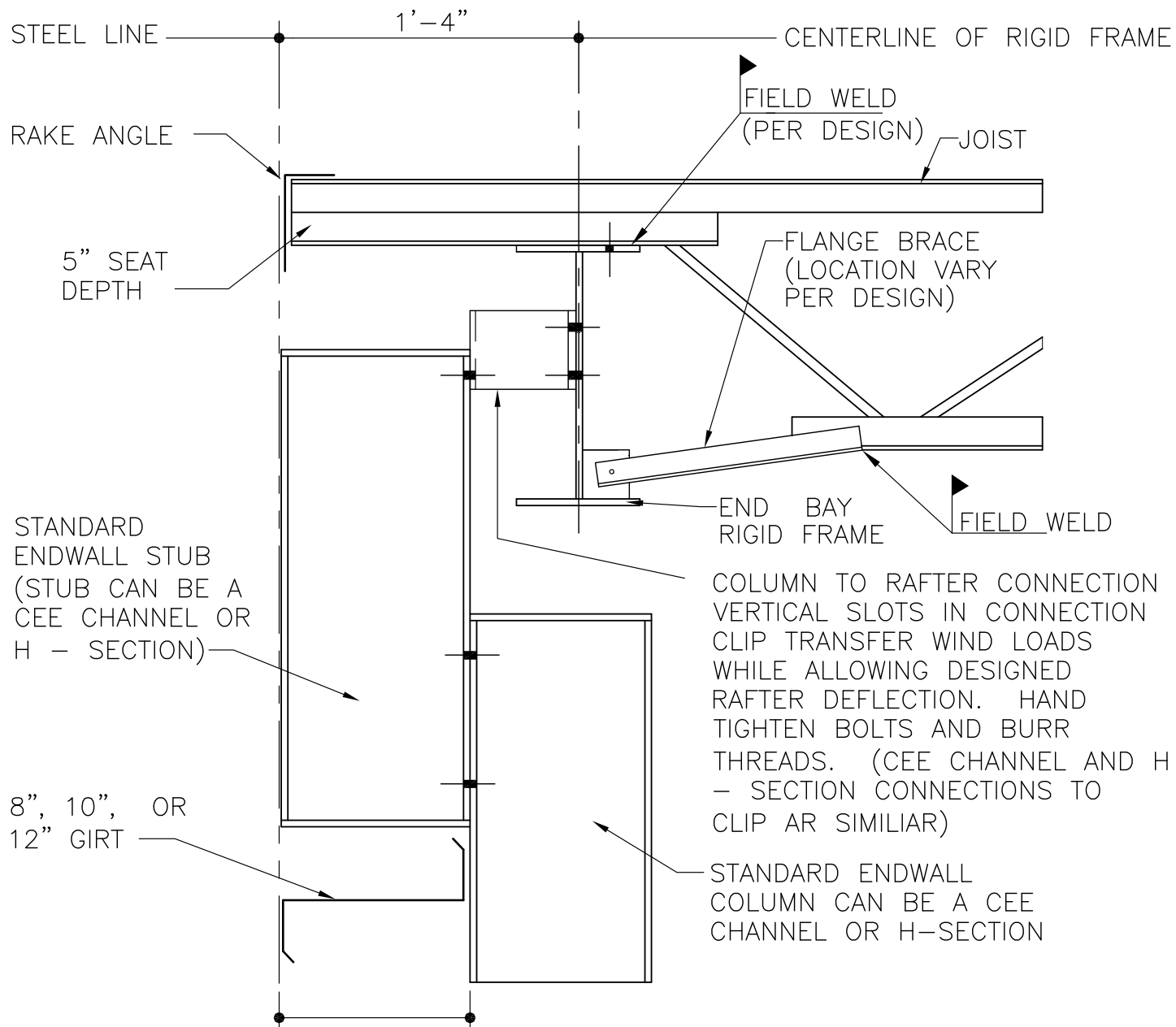
LAST REVISION DATE: <u>02/09/01</u> BY: <u>CDM</u> CHK: <u>RJF</u>	<u>DETAIL NAME IF APPLICABLE</u> FD0370PE.DWG	11.1.39
--	---	----------------

FD0380PE – RIGID FRAME ENDWALL W/JOISTS – INSET

NOTE: AT EXPANDABLE ENDWALLS WHERE RAFTER FLANGE BRACING IS REQUIRED AT BOTH SIDES OF THE RAFTER, (AT THE TIME OF EXPANSION) THOSE FLANGE BRACES ARE INCLUDED & MUST BE INSTALLED AT THE TIME OF THE EXPANSION,



FD0390PE – RIGID FRAME ENDWALL W/JOISTS - BYPASS



LAST REVISION
DATE: <u>08/24/09</u>
BY: <u>DLC</u> CHK: <u>AES</u>

<u>DETAIL NAME IF APPLICABLE</u>
FD0390PE.DWG

11.1.41
