



TABLE OF CONTENTS

Table of Contents 1

General Information..... 3

Secondary Framing 4

 BJ0030 – Purlin Connection to Existing Non-Nucor Building (W/ Existing Frame)4

 BJ0040 – Purlin Connection to Existing Non-Nucor Building (W/ New Frame)..... 5

 BT0010PE – Optional Joist Connection To Non-Nucor Building (Existing Frame)6

 BT0020PE – Optional Joist Connection to Non-Nucor Building (New Frame)..... 7

 BT0030PE – Standard Joist Connection at Expandable Endwall (Full Load Frame) 8

 BJ0090 – Eave Strut To Existing @ High Side Of Building..... 9

 BJ0100 – Cee Channel To Existing @ High Side of Building 10

 BT0040PE – Standard Base Condition at Masonry Or Concrete (Non-Nucor Building Tie-In) 11

 BT0050PE – Optional Base Condition at Masonry Or Concrete (Non-Nucor Building Tie-In) 12

 BT0060PE – Standard Base Condition at Metal Wall (Non-Nucor Building Tie-In) 13

Roof Sheeting: “Classic Roof”™ 14

 BT0070PE – “Classic Roof”™ Panel To Existing Roof Panel At Ridge 14

 BT0080PE – “Classic Roof”™ Panel To Existing Roof Panel At Rake 15

 BT0090PE – “Classic Roof”™ Panel To Existing Roof Panel At Roof Step 16

 BT0100PE – “Classic Roof”™ Panel Rake Parapet To Existing Building..... 17

 BT0110PE – “Classic Roof”™ Panel Rake Parapet To Masonry Or Concrete.... 18

 BT0120PE – “Classic Roof”™ Panel High Eave Parapet To Existing Building ... 19

 BT0130PE – “Classic Roof”™ Panel Rake Parapet To Masonry Or Concrete.... 20

Roof Sheeting: “CFR Roof”™ 21

 BT0140PE – “CFR”™ Roof Panel To Existing Building At Ridge 21

 EJ1010 – Non-Structural – Purlin..... 22

 EJ1020 – Structural – Purlin 23

 EJ1025 – Structural – Purlin (New Nucor To Exist. Nucor)..... 24

 EJ1040 – Construction Joint – Purlin (New Nucor To Exist. Nucor) 25

 EJ1045 – Construction Joint – Purlin (New Nucor To Exist. Non-Nucor)..... 26

 EJ1050 – Non-Structural – Joist 27

 EJ1060 – Structural – Joist 28

 EJ1065 – Structural – Joist (New Nucor To Exist. Nucor) 29



PRODUCT AND ENGINEERING MANUAL

4.7 EXISTING BUILDING TIE-IN DETAILS

EJ1080 – Construction Joint – Joist (New Nucor To Exist. Nucor) 30
EJ1085 – Construction Joint – Joist (New Nucor To Exist. Non-Nucor) 31
BT0150PE – Standard Dimensions For Roof Tie-In To Existing Buildings 32



GENERAL INFORMATION

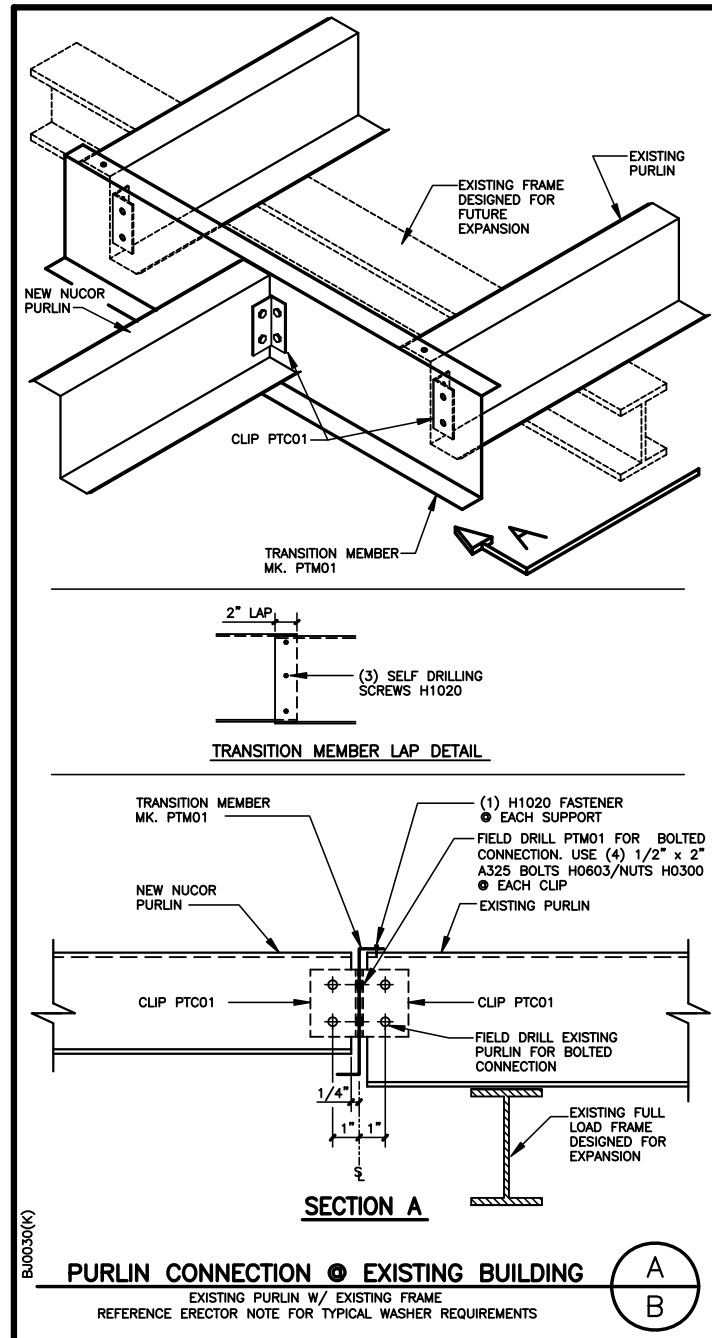
1. Re-working, cutting, reaming, shimming and fitting of structural connections may be required to match actual field conditions to make the tie-in structurally and aesthetically adequate.
2. Some roof details shown in this section are pictured with roof purlins. Some of the details may also be used in conjunction with roof joists.
3. Roof to wall tie-in details may require fieldwork to ensure weather tight conditions.
4. Nucor is not responsible for closures, flashing, mastic, fasteners, or any other accessories that may be required to adequately weatherproof existing wall and/or roof panels.

IMPORTANT NOTE:

In a case where a Nucor building is tying into an existing building, it is possible that the Nucor building will impose additional loads onto the existing structure. It shall be the project engineer of record's (not Nucor Building Systems) responsibility to perform an investigation of the existing structure to ensure that it is adequately designed to carry the additional load. This may also be performed by a design professional retained by the building owner. In a case where the existing building is a Nucor structure, Nucor can provide this investigation via special request from the Builder for an additional charge. Nucor shall not be construed as the project engineer of record on any project, and shall not be held responsible for the effects or the design of existing structures. Water runoff from the existing building may invalidate the Galvalume or paint warranty on the new roof.

SECONDARY FRAMING

BJ0030 – PURLIN CONNECTION TO EXISTING NON-NUCOR BUILDING (W/ EXISTING FRAME)

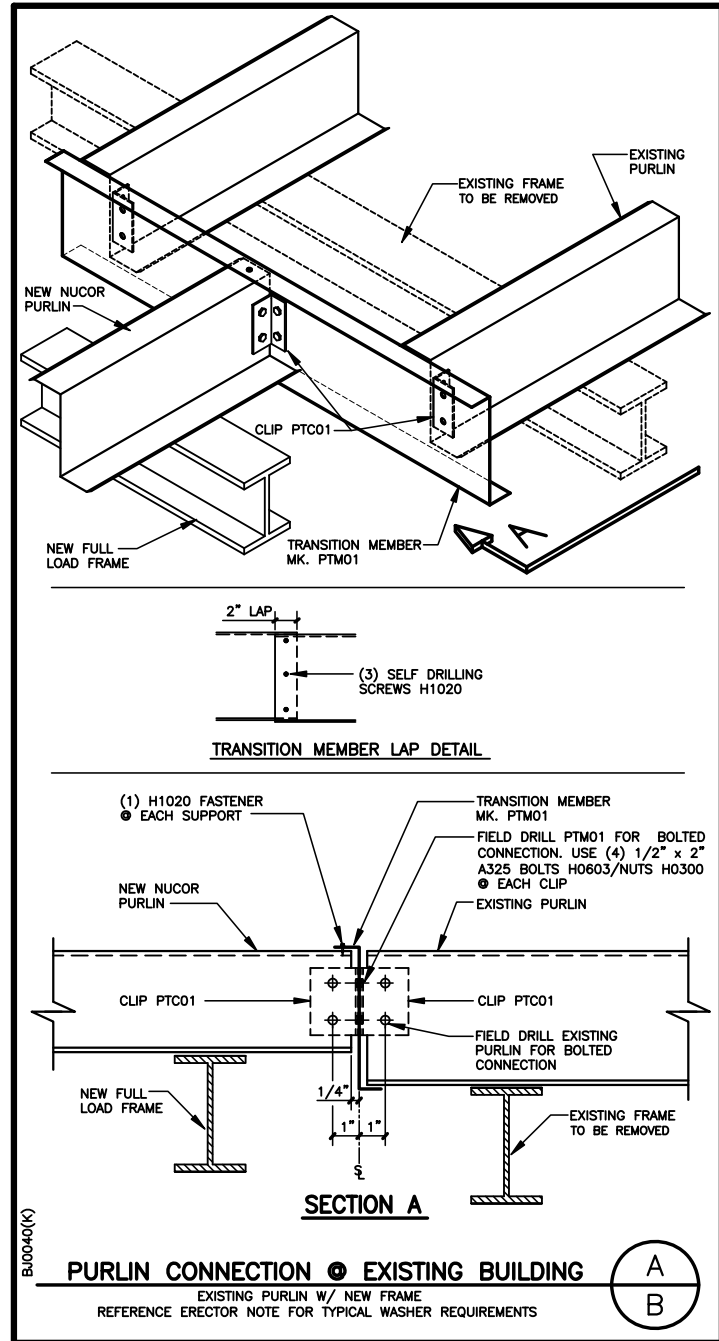




PRODUCT AND ENGINEERING MANUAL

4.7 EXISTING BUILDING TIE-IN DETAILS

BJ0040 – PURLIN CONNECTION TO EXISTING NON-NUCOR BUILDING (W/ NEW FRAME)



LAST REVISION
DATE: 08/11/04
BY: KMC CHK: RJF

DETAIL NAME IF APPLICABLE
BJ0040.DWG

4.7.5

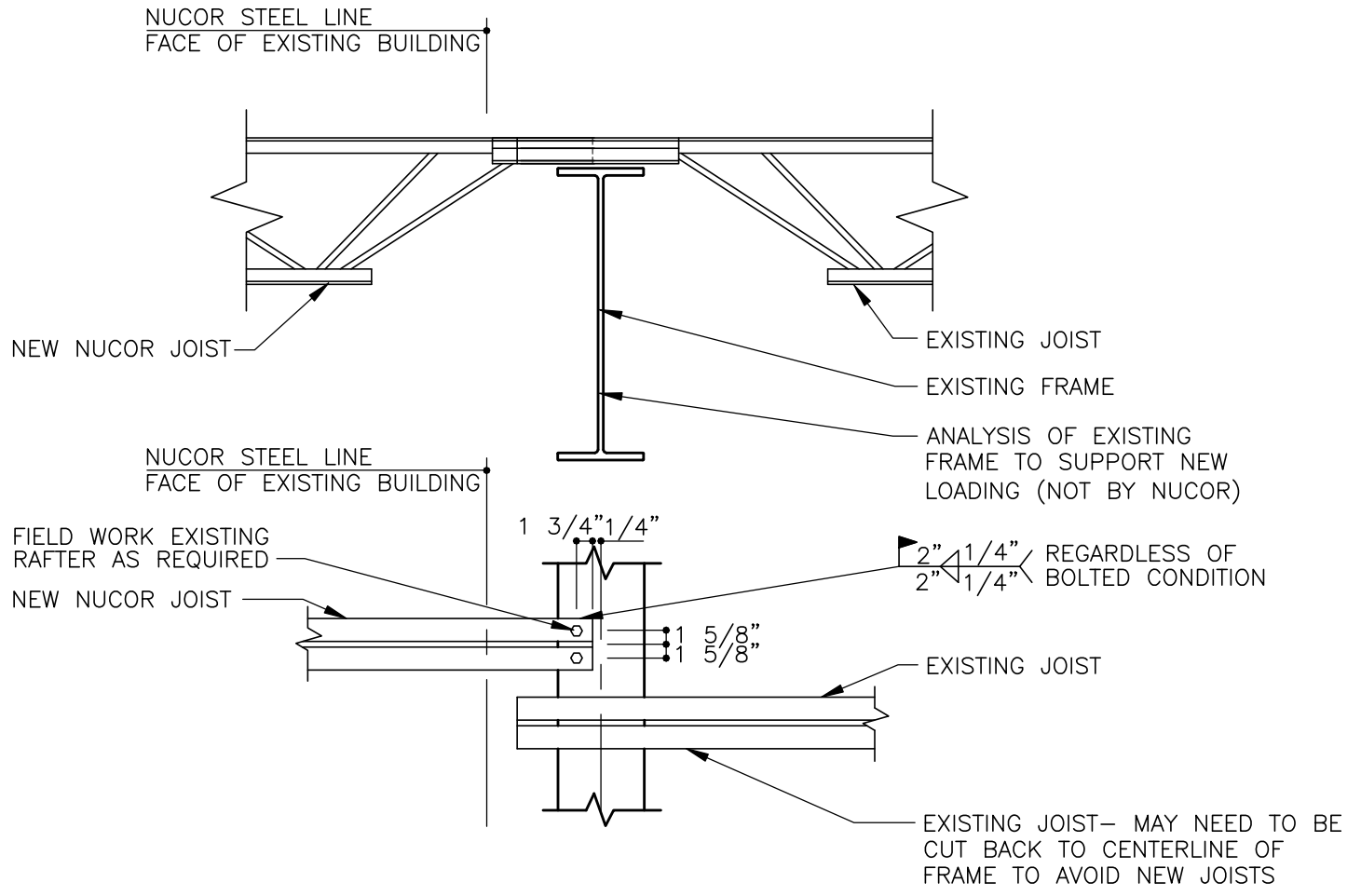


PRODUCT AND ENGINEERING MANUAL

4.7 EXISTING BUILDING TIE-IN DETAILS

BT0010PE – OPTIONAL JOIST CONNECTION TO NON-NUCOR BUILDING (EXISTING FRAME)

NOTE: THE NEW HIGH EAVE OR RIDGE JOIST MUST BE HELD 1'-4" DOWN FROM THE HIGH EAVE STEEL LINE OR THE RIDGE IN ORDER FOR THE CFR SYSTEM TO WORK PROPERLY. THE EXISTING JOIST MAY NEED TO BE FIELD CUT TO ALLOW FOR THIS CONDITION. FIELD WORK OF SOME EXISTING JOISTS MAY BE REQUIRED TO AVOID INTERFERENCE WITH NEW JOISTS.

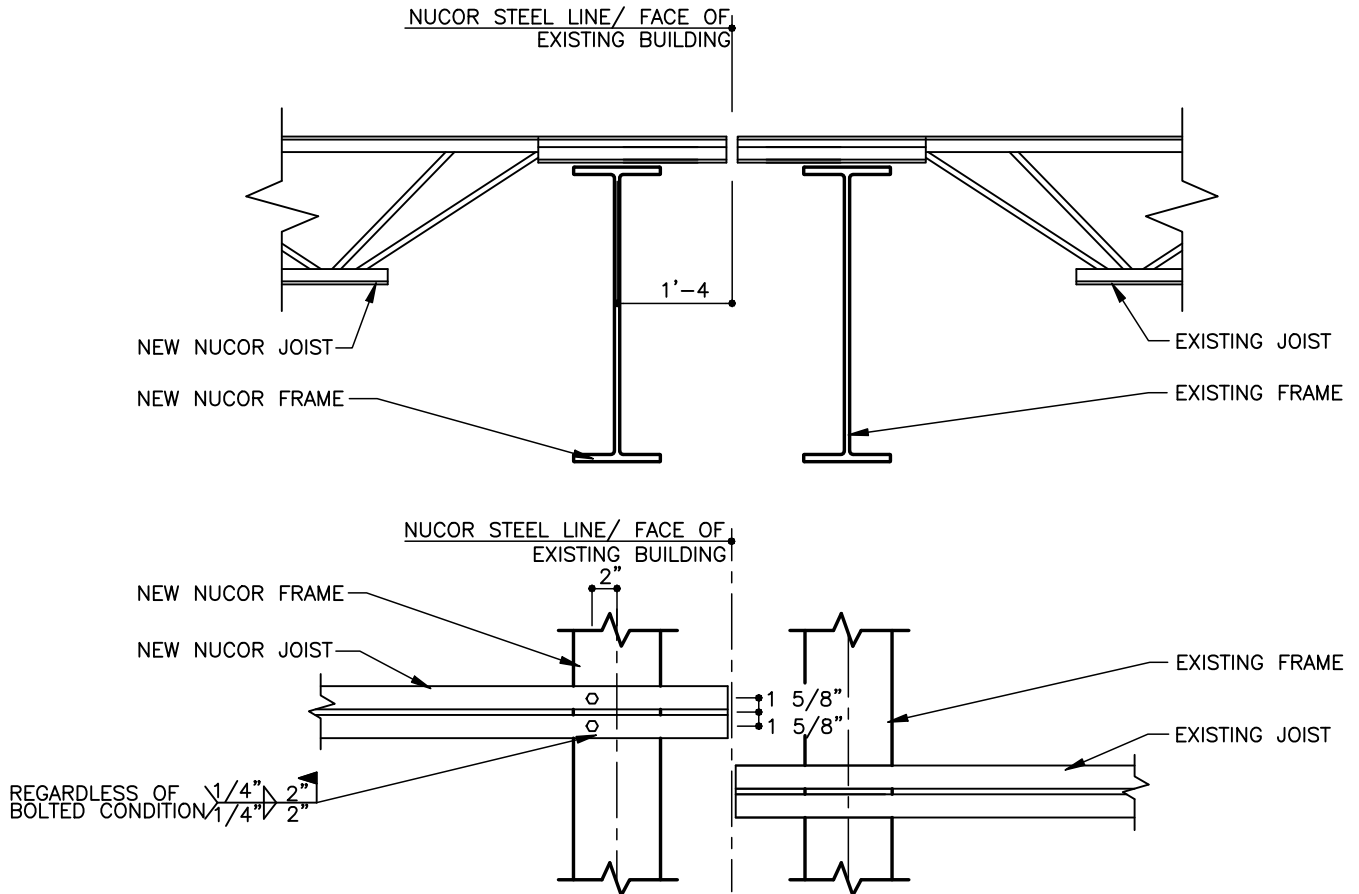


LAST REVISION
 DATE: 07/08/02
 BY: EGB CHK: RJF

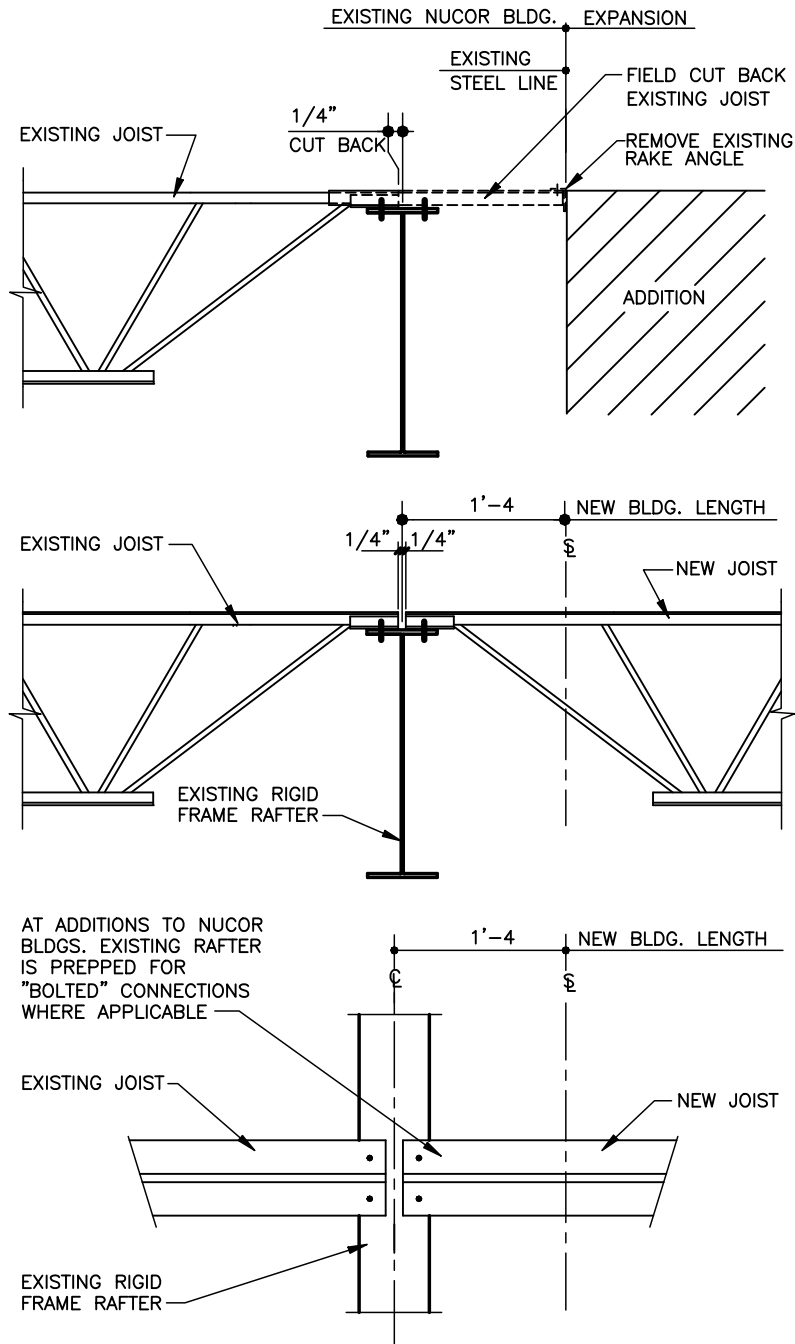
DETAIL NAME IF APPLICABLE
BT0010PE.DWG

4.7.6

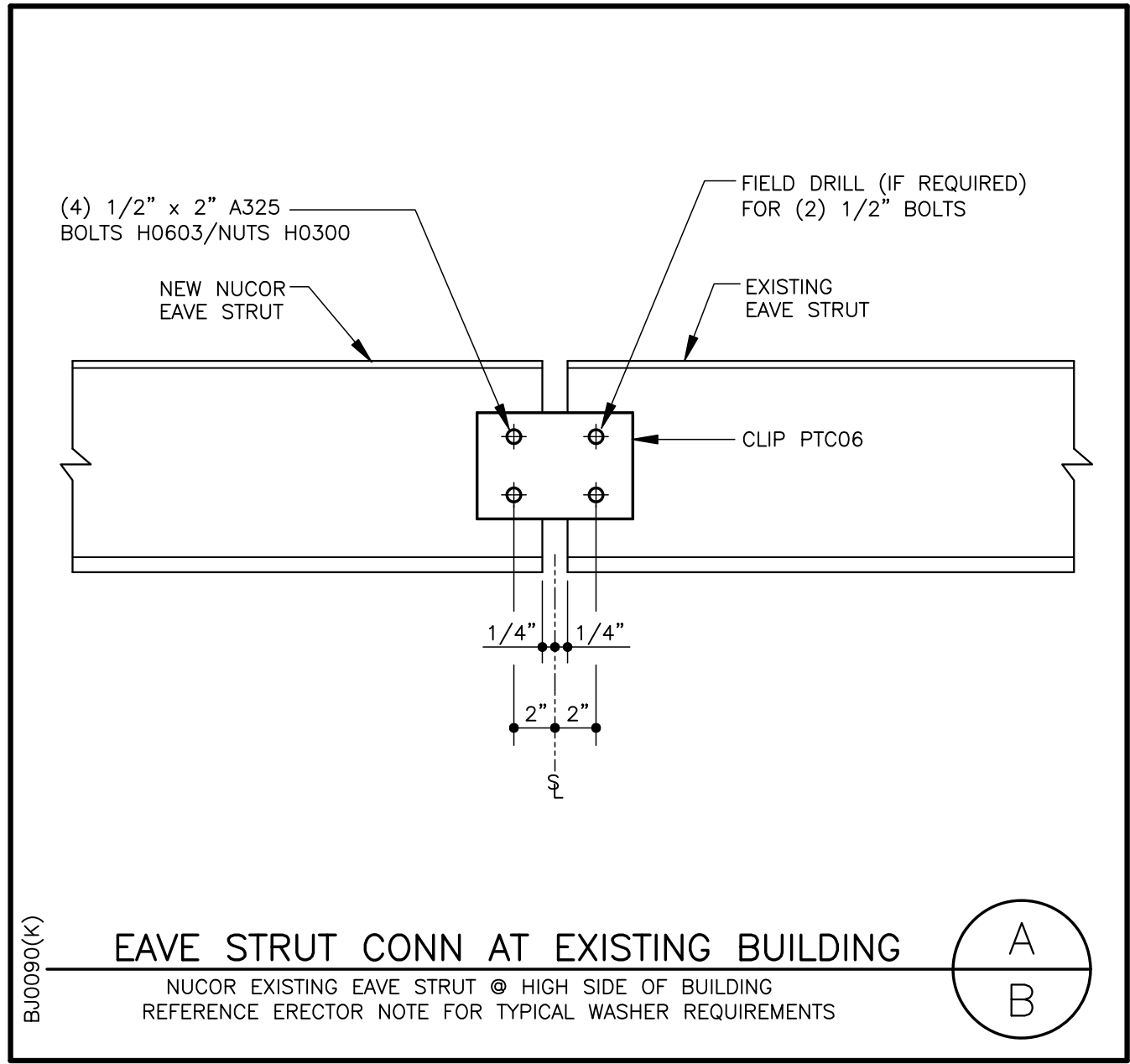
BT0020PE – OPTIONAL JOIST CONNECTION TO NON-NUCOR BUILDING (NEW FRAME)



BT0030PE – STANDARD JOIST CONNECTION AT EXPANDABLE ENDWALL (FULL LOAD FRAME)



BJ0090 – EAVE STRUT TO EXISTING @ HIGH SIDE OF BUILDING



| |
|--|
| LAST REVISION DATE: <u>08/11/04</u> BY: <u>KMC</u> CHK: <u>RJF</u> |
|--|

| |
|---|
| <u>DETAIL NAME IF APPLICABLE</u> BJ0090.DWG |
|---|

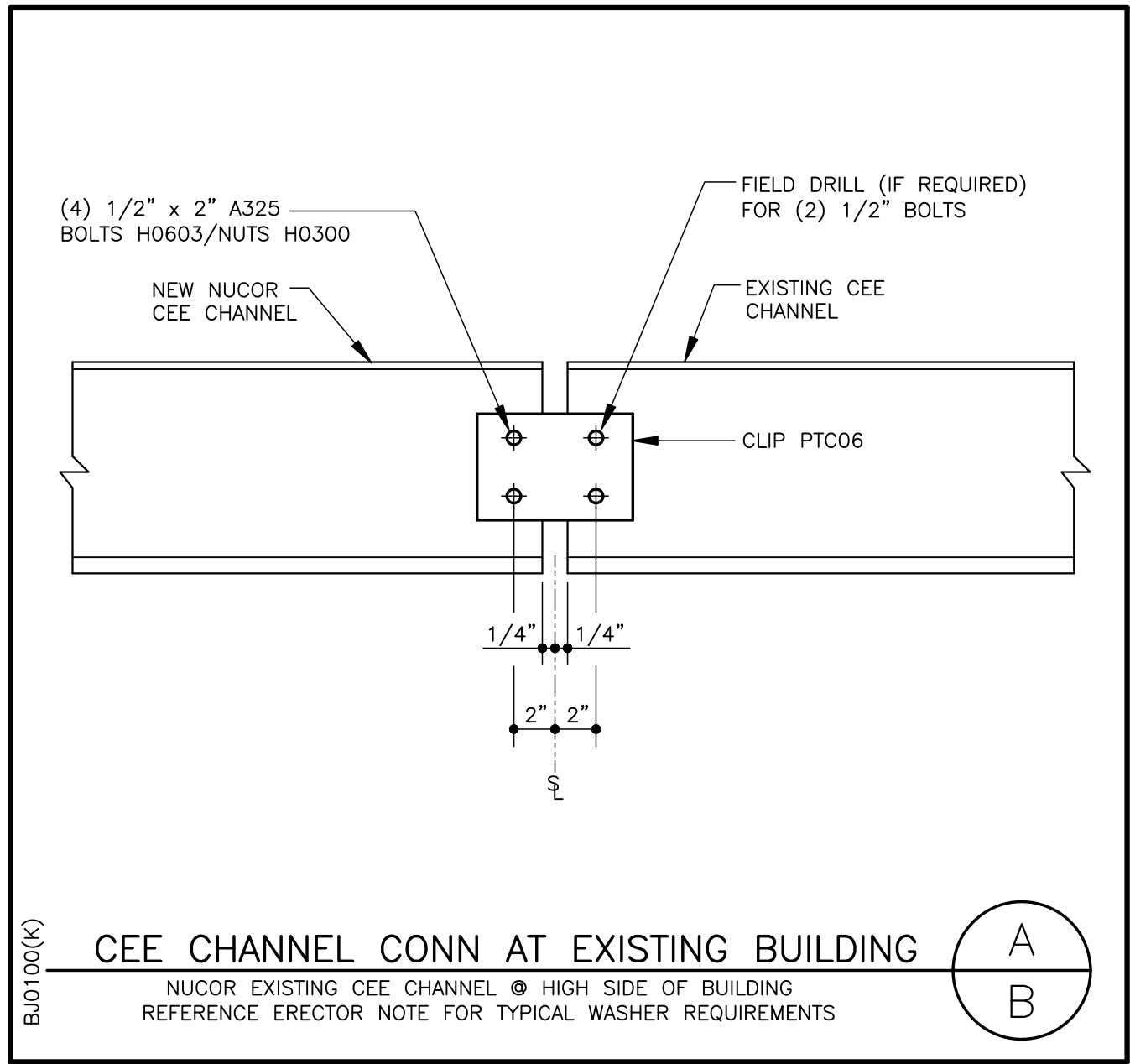
| |
|--------------|
| 4.7.9 |
|--------------|



PRODUCT AND ENGINEERING MANUAL

4.7 EXISTING BUILDING TIE-IN DETAILS

BJ0100 – CEE CHANNEL TO EXISTING @ HIGH SIDE OF BUILDING



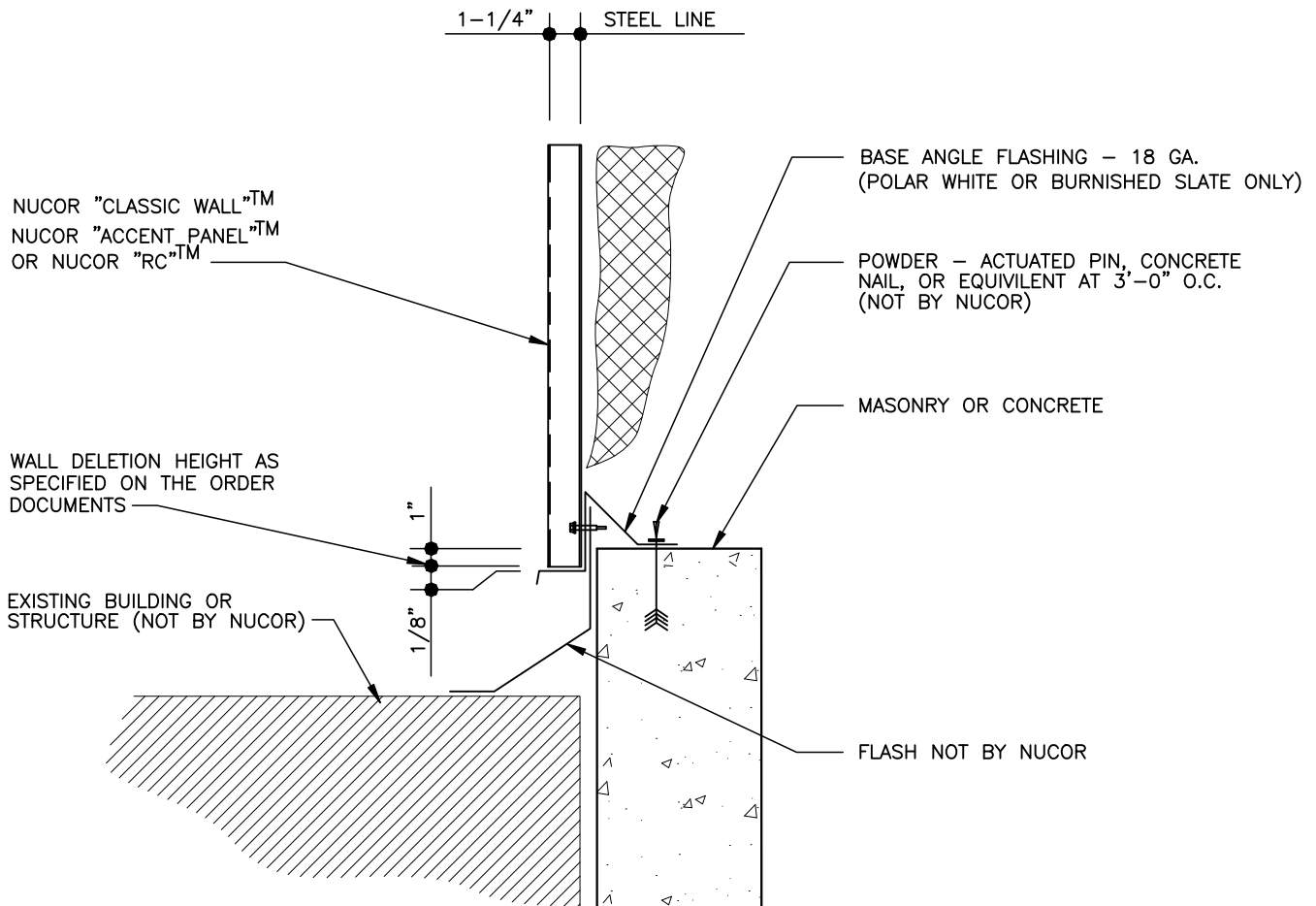
LAST REVISION
 DATE: 08/11/04
 BY: KMC CHK: RJF

DETAIL NAME IF APPLICABLE
BJ0100.DWG

4.7.10

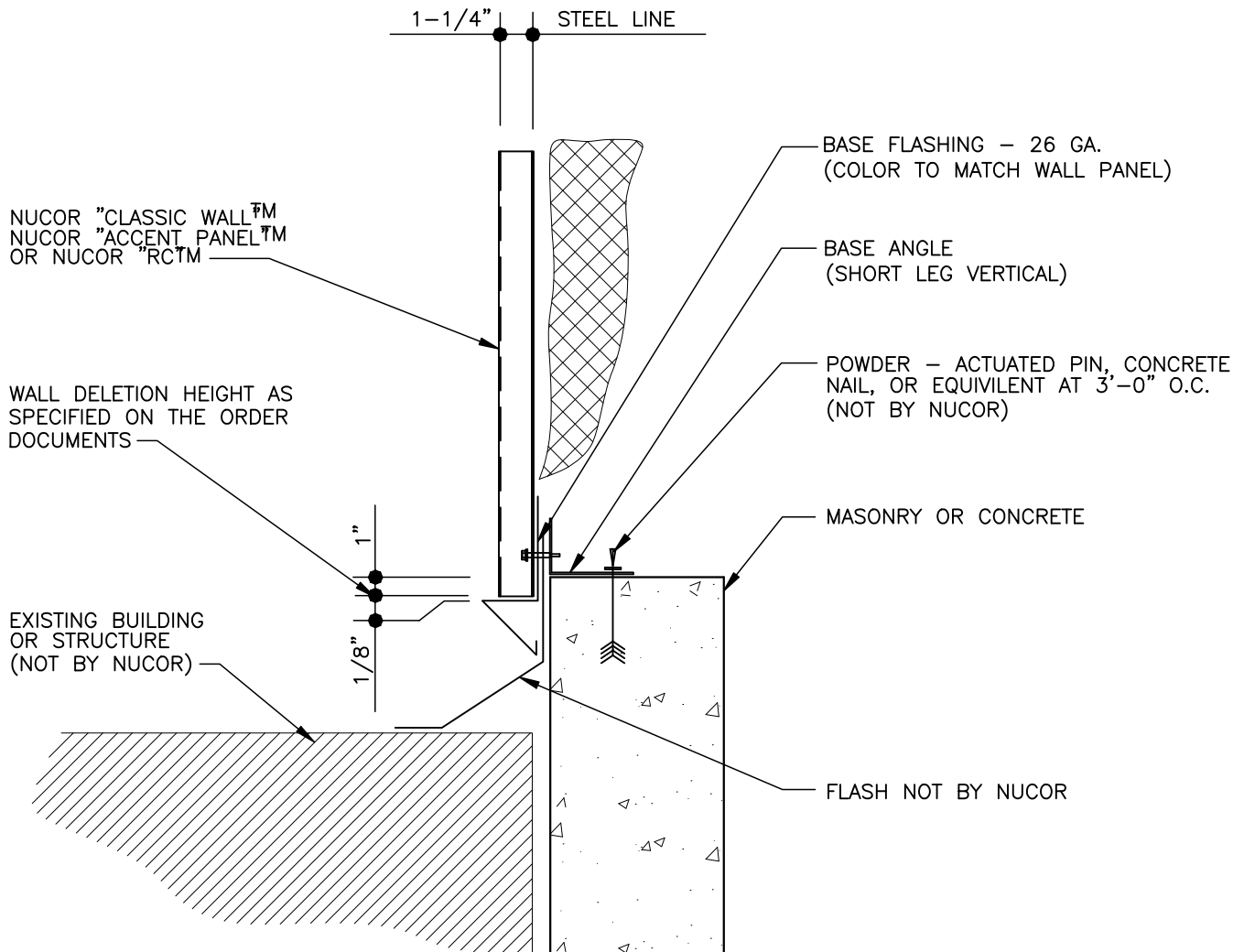
BT0040PE – STANDARD BASE CONDITION AT MASONRY OR CONCRETE (NON-NUCOR BUILDING TIE-IN)

(3/32" X 1/2" TAPE MASTIC IS PROVIDED FOR WALL PANEL SIDELAPS AT THIS CONDITION DUE TO THE POTENTIAL OF SNOW PILING UP AGAINST THE PANELS. THE MASTIC SHOULD BE INSTALLED FROM THE BOTTOM OF THE WALL PANEL ELEVATION TO 10'-0" ABOVE THE LOWER BUILDING ROOF LINE.)



BT0050PE – OPTIONAL BASE CONDITION AT MASONRY OR CONCRETE (NON-NUCOR BUILDING TIE-IN)

(3/32" X 1/2" TAPE MASTIC IS PROVIDED FOR WALL PANEL SIDELAPS AT THIS CONDITION DUE TO THE POTENTIAL OF SNOW PILING UP AGAINST THE PANELS. THE MASTIC SHOULD BE INSTALLED FROM THE BOTTOM OF THE WALL PANEL ELEVATION TO 10'-0" ABOVE THE LOWER BUILDING ROOF LINE.)



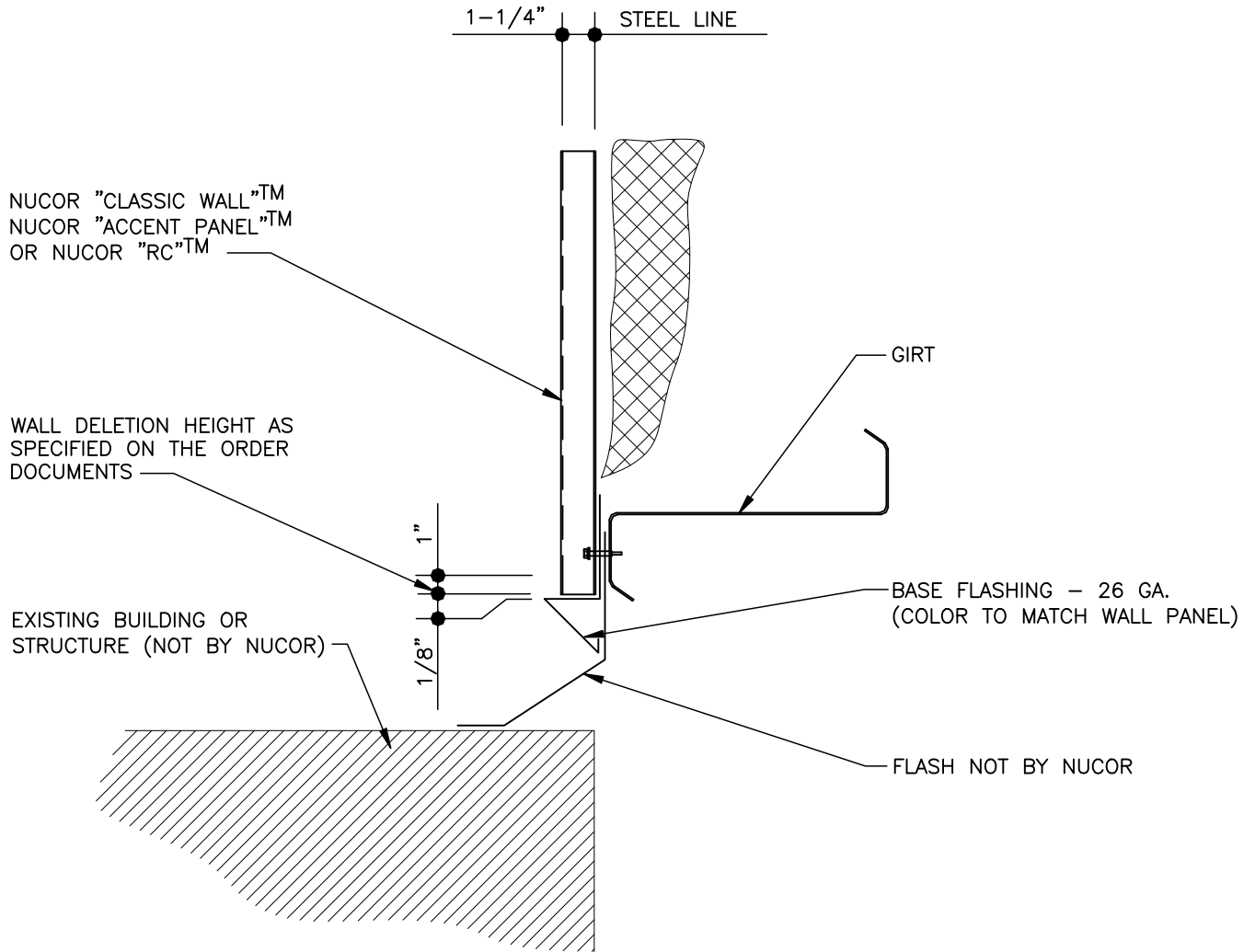


PRODUCT AND ENGINEERING MANUAL

4.7 EXISTING BUILDING TIE-IN DETAILS

BT0060PE – STANDARD BASE CONDITION AT METAL WALL (NON-NUCOR BUILDING TIE-IN)

(3/32" X 1/2" TAPE MASTIC IS PROVIDED FOR WALL PANEL SIDELAPS AT THIS CONDITION DUE TO THE POTENTIAL OF SNOW PILING UP AGAINST THE PANELS. THE MASTIC SHOULD BE INSTALLED FROM THE BOTTOM OF THE WALL PANEL ELEVATION TO 10'-0" ABOVE THE LOWER BUILDING ROOF LINE.)



LAST REVISION
DATE: 02/09/01
BY: CDM CHK: RJF

DETAIL NAME IF APPLICABLE
BT0060PE.DWG

4.7.13

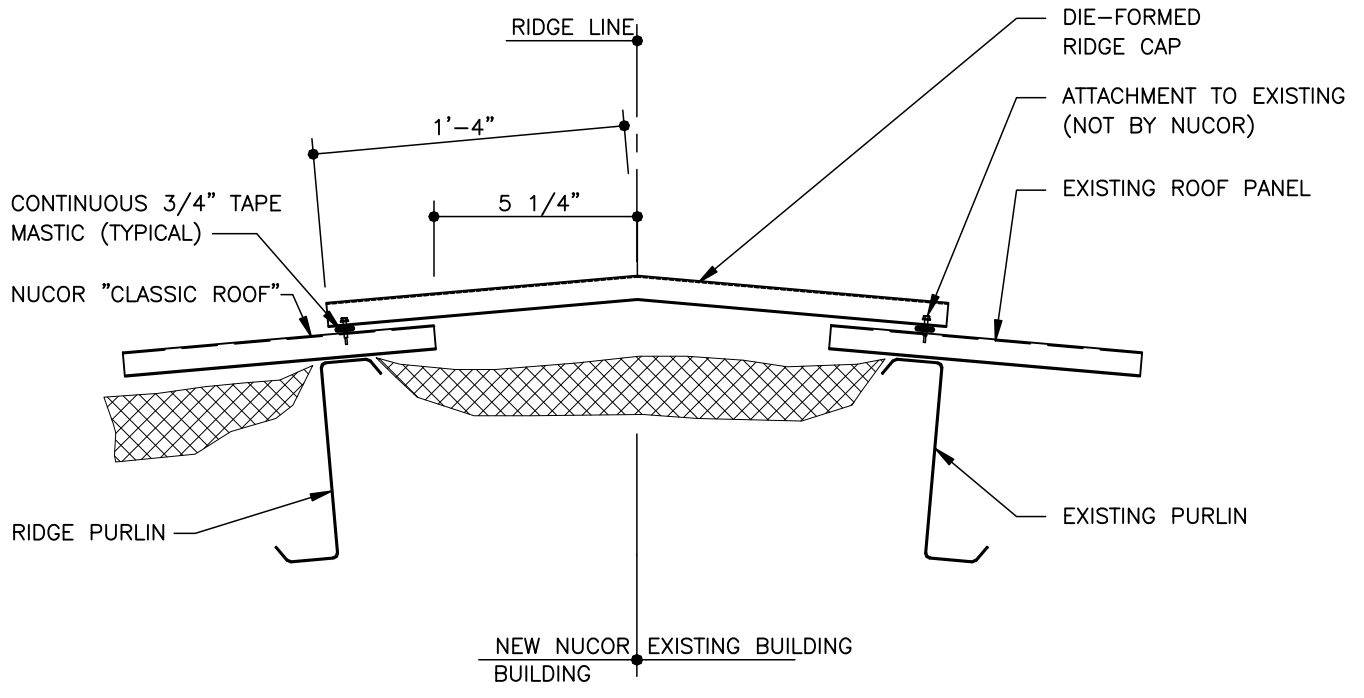


PRODUCT AND ENGINEERING MANUAL

4.7 EXISTING BUILDING TIE-IN DETAILS

ROOF SHEETING: "CLASSIC ROOF"™

BT0070PE – "CLASSIC ROOF"™ PANEL TO EXISTING ROOF PANEL AT RIDGE



LAST REVISION
DATE: 08/06/04
BY: KMC CHK: RJF

DETAIL NAME IF APPLICABLE
BT0070PE.DWG

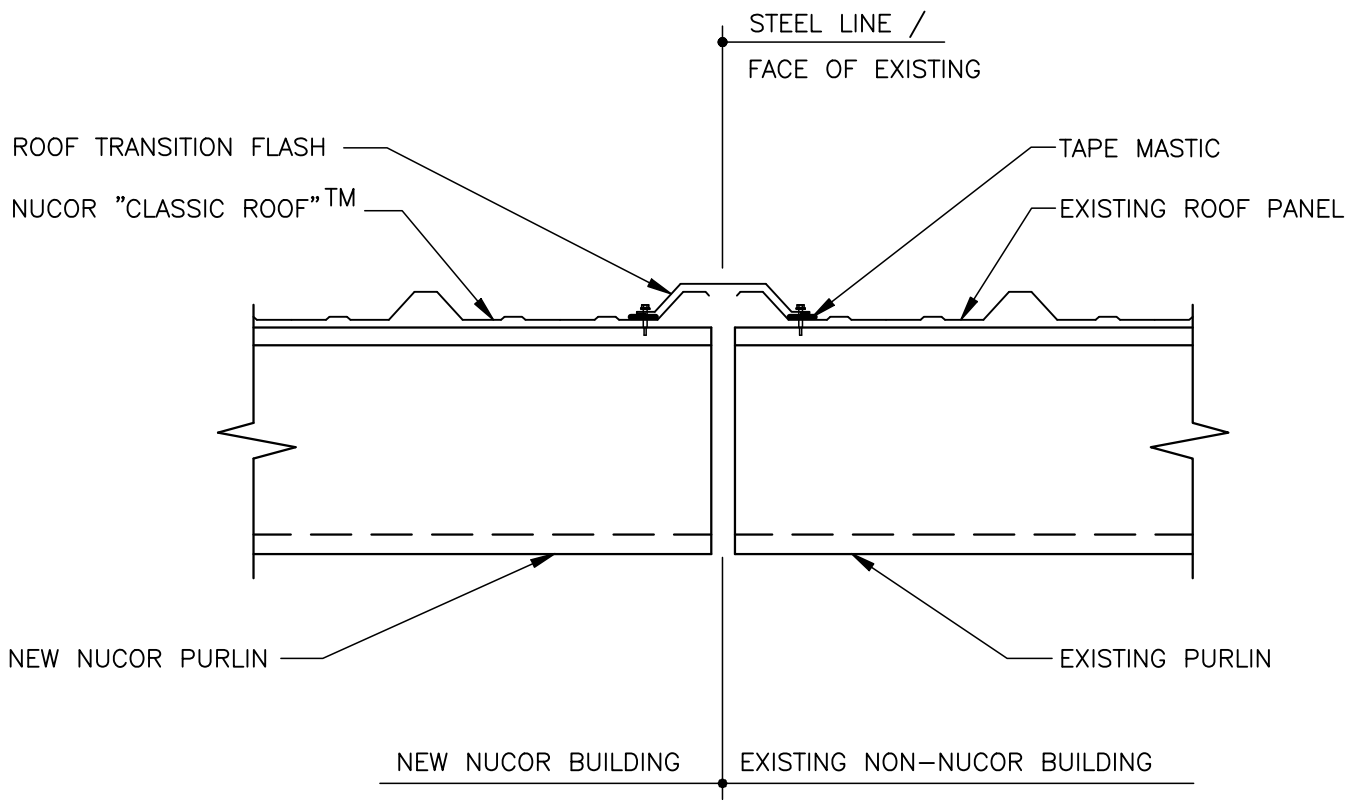
4.7.14



PRODUCT AND ENGINEERING MANUAL

4.7 EXISTING BUILDING TIE-IN DETAILS

BT0080PE – “CLASSIC ROOF”™ PANEL TO EXISTING ROOF PANEL AT RAKE

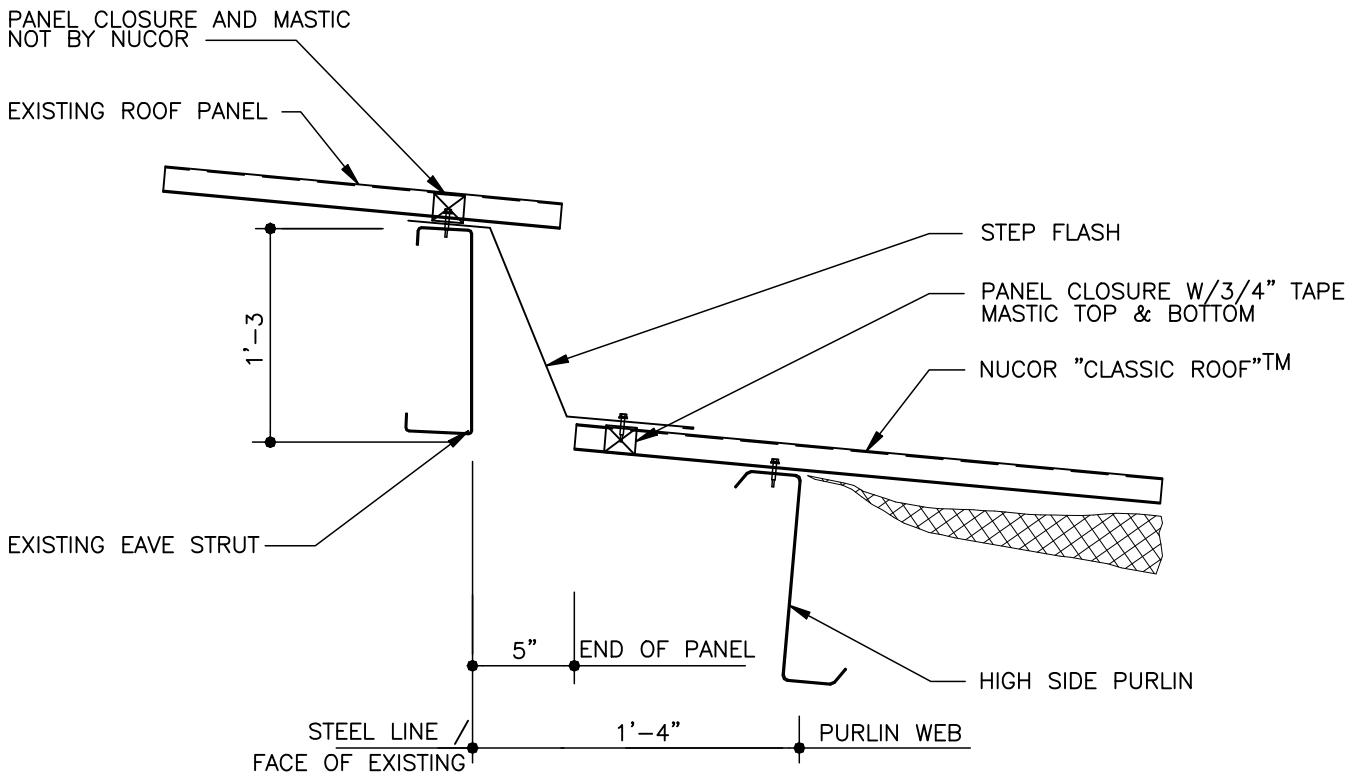


LAST REVISION
DATE: 02/09/01
BY: CDM CHK: RJF

DETAIL NAME IF APPLICABLE
BT0080PE.DWG

4.7.15

BT0090PE – “CLASSIC ROOF”™ PANEL TO EXISTING ROOF PANEL AT ROOF STEP



LAST REVISION
 DATE: 02/09/01
 BY: CDM CHK: RJF

DETAIL NAME IF APPLICABLE
BT0090PE.DWG

4.7.16

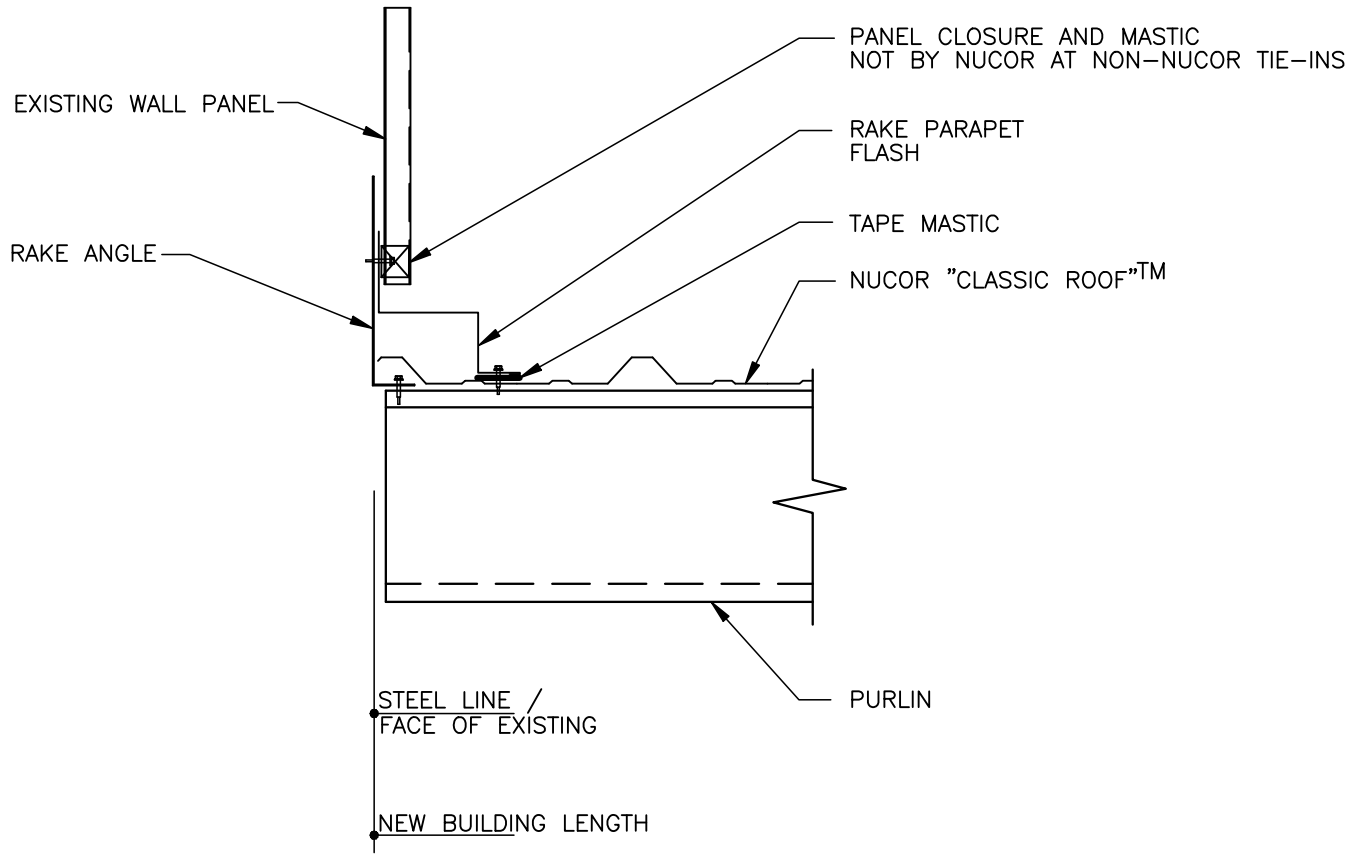


PRODUCT AND ENGINEERING MANUAL

4.7 EXISTING BUILDING TIE-IN DETAILS

BT0100PE – “CLASSIC ROOF”™ PANEL RAKE PARAPET TO EXISTING BUILDING

(3/32" X 1/2" TAPE MASTIC IS PROVIDED FOR WALL PANEL SIDELAPS AT THIS CONDITION DUE TO THE POTENTIAL OF SNOW PILING UP AGAINST THE PANELS. THE MASTIC SHOULD BE INSTALLED FROM THE BOTTOM OF THE WALL PANEL ELEVATION TO 10'-0" ABOVE THE LOWER BUILDING ROOF LINE.)



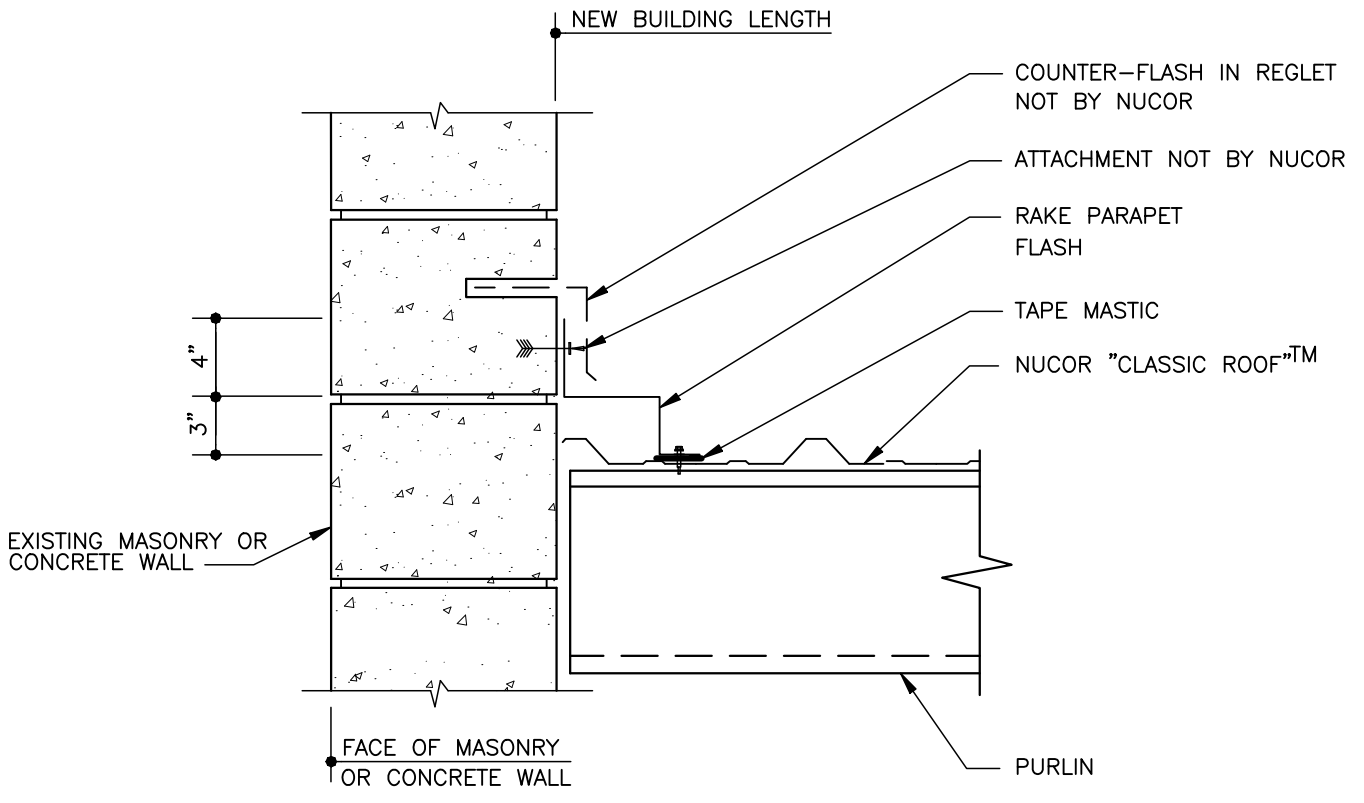
| | | |
|--|---|---------------|
| LAST REVISION DATE: <u>02/09/01</u> BY: <u>CDM</u> CHK: <u>RJF</u> | <u>DETAIL NAME IF APPLICABLE</u> BT0100PE.DWG | 4.7.17 |
|--|---|---------------|



PRODUCT AND ENGINEERING MANUAL

4.7 EXISTING BUILDING TIE-IN DETAILS

BT0110PE – “CLASSIC ROOF”™ PANEL RAKE PARAPET TO MASONRY OR CONCRETE



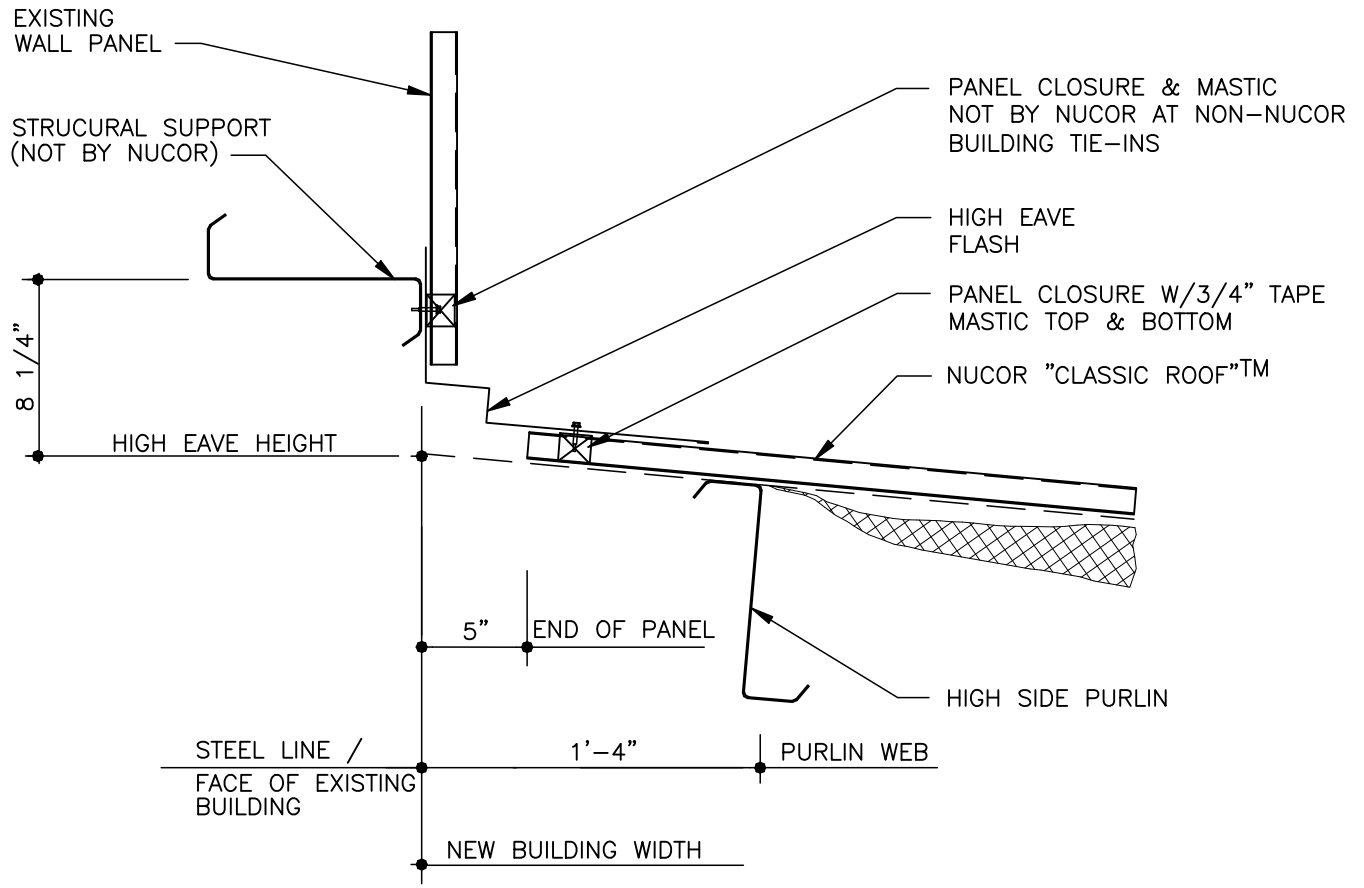
LAST REVISION
DATE: 02/09/01
BY: CDM CHK: RJF

DETAIL NAME IF APPLICABLE
BT0110PE.DWG

4.7.18

BT0120PE – “CLASSIC ROOF”™ PANEL HIGH EAVE PARAPET TO EXISTING BUILDING

(3/32" X 1/2" TAPE MASTIC IS PROVIDED FOR WALL PANEL SIDELAPS AT THIS CONDITION DUE TO THE POTENTIAL OF SNOW PILING UP AGAINST THE PANELS. THE MASTIC SHOULD BE INSTALLED FROM THE BOTTOM OF THE WALL PANEL ELEVATION TO 10'-0" ABOVE THE LOWER BUILDING ROOF LINE.)

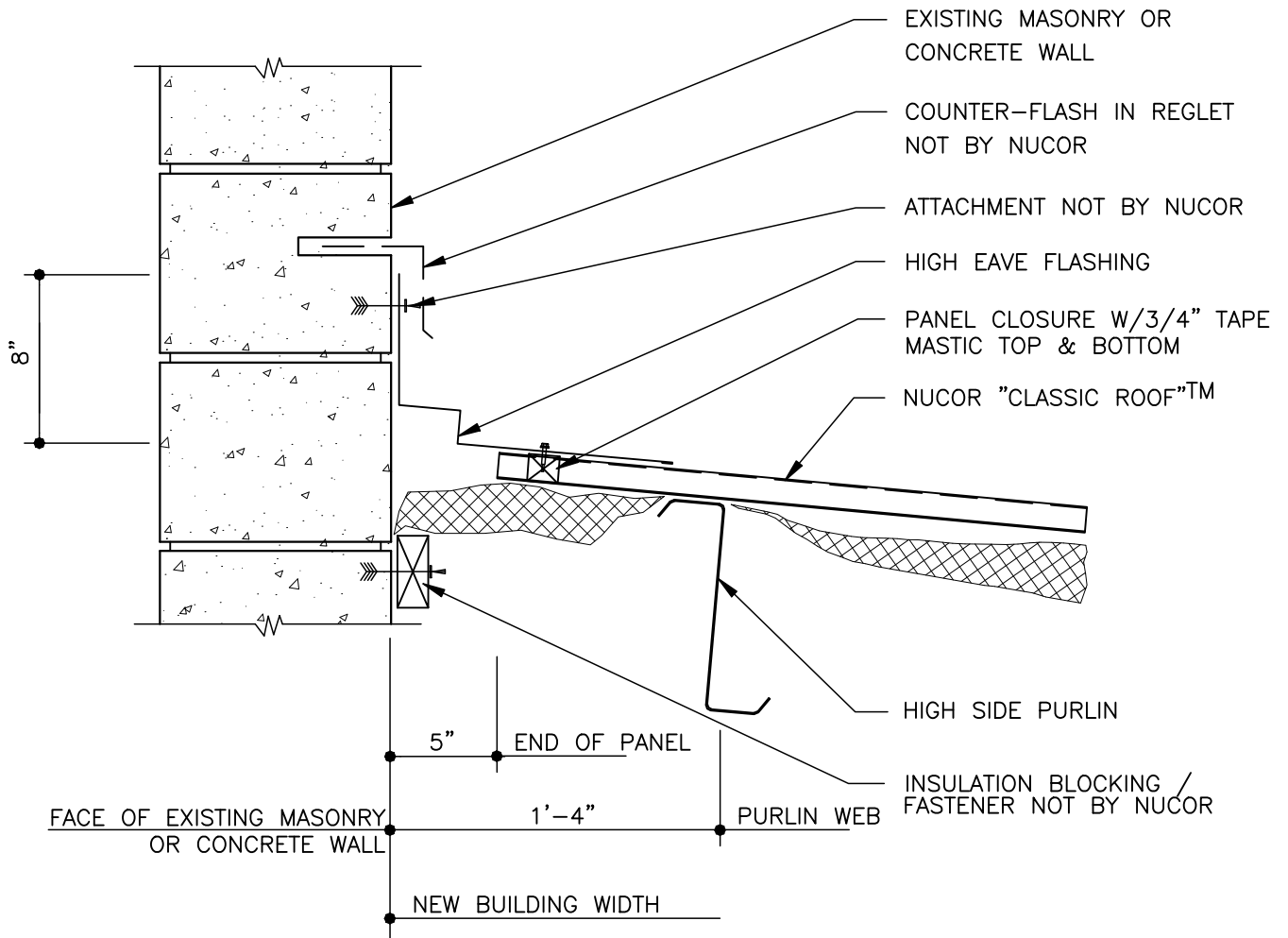




PRODUCT AND ENGINEERING MANUAL

4.7 EXISTING BUILDING TIE-IN DETAILS

BT0130PE – “CLASSIC ROOF”™ PANEL RAKE PARAPET TO MASONRY OR CONCRETE



LAST REVISION
 DATE: 02/09/01
 BY: CDM CHK: RJF

DETAIL NAME IF APPLICABLE
BT0130PE.DWG

4.7.20



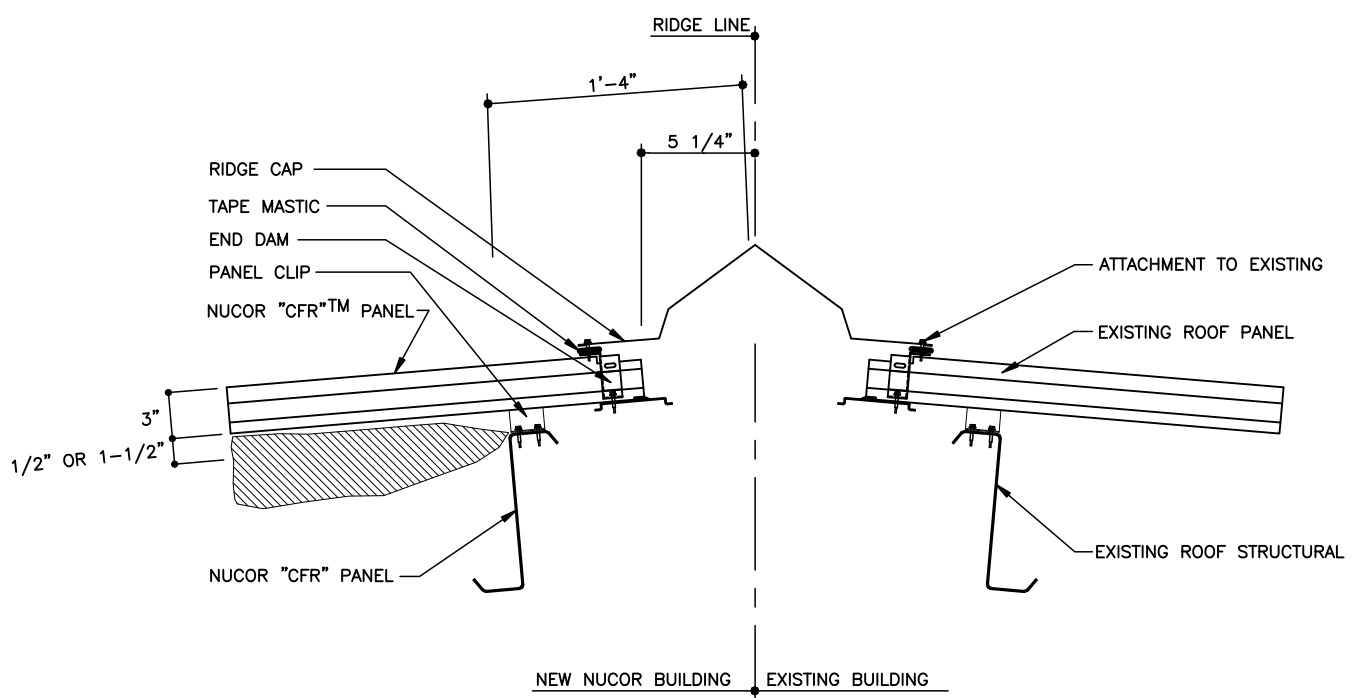
PRODUCT AND ENGINEERING MANUAL

4.7 EXISTING BUILDING TIE-IN DETAILS

ROOF SHEETING: "CFR ROOF"™

BT0140PE – "CFR"™ ROOF PANEL TO EXISTING BUILDING AT RIDGE

NOTE
FASTENERS TO EXISTING NON-NUCOR
BUILDINGS ARE NOT PROVIDED.

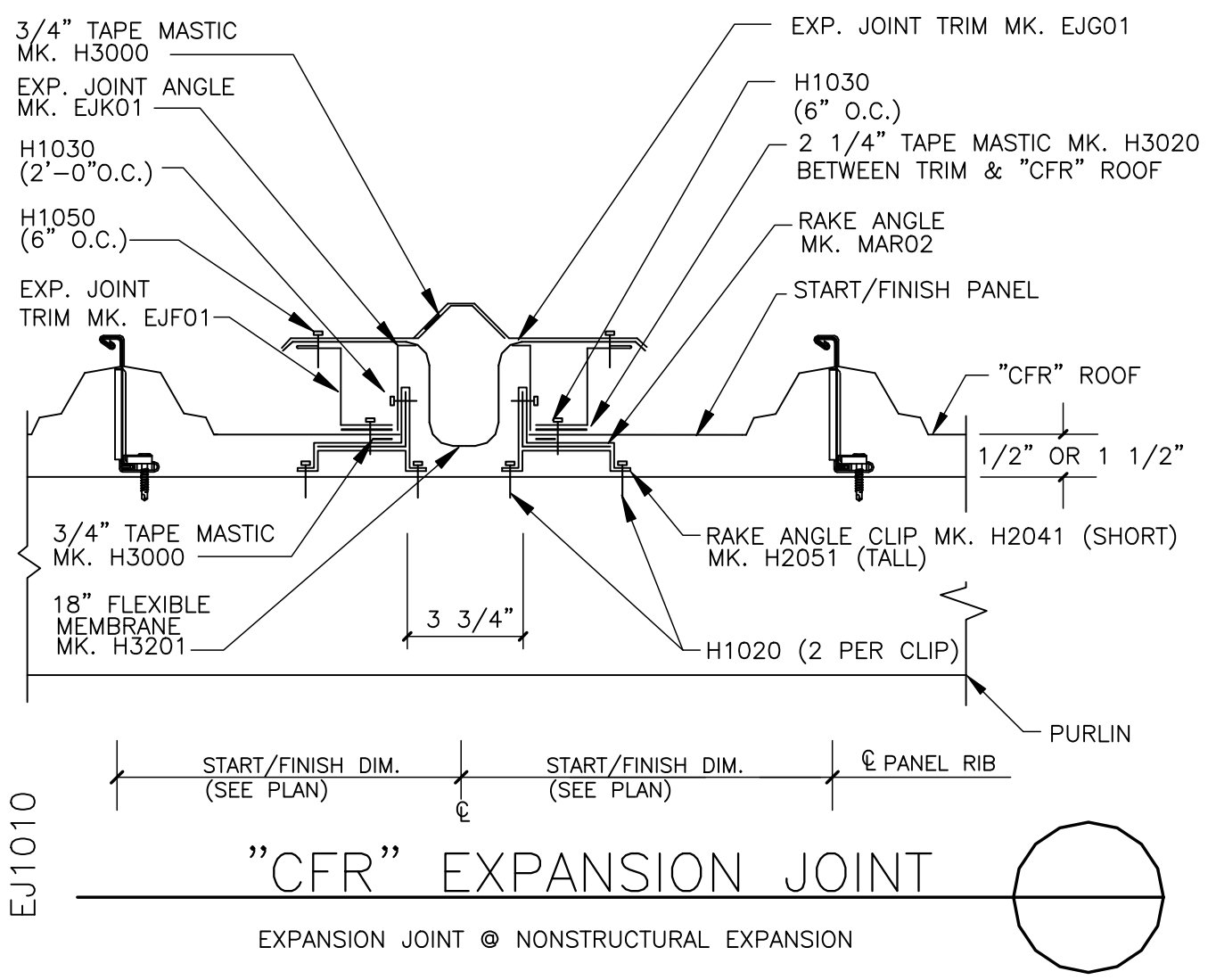


LAST REVISION
DATE: 08/06/04
BY: KMC CHK: RJF

DETAIL NAME IF APPLICABLE
BT0140PE.DWG

4.7.21

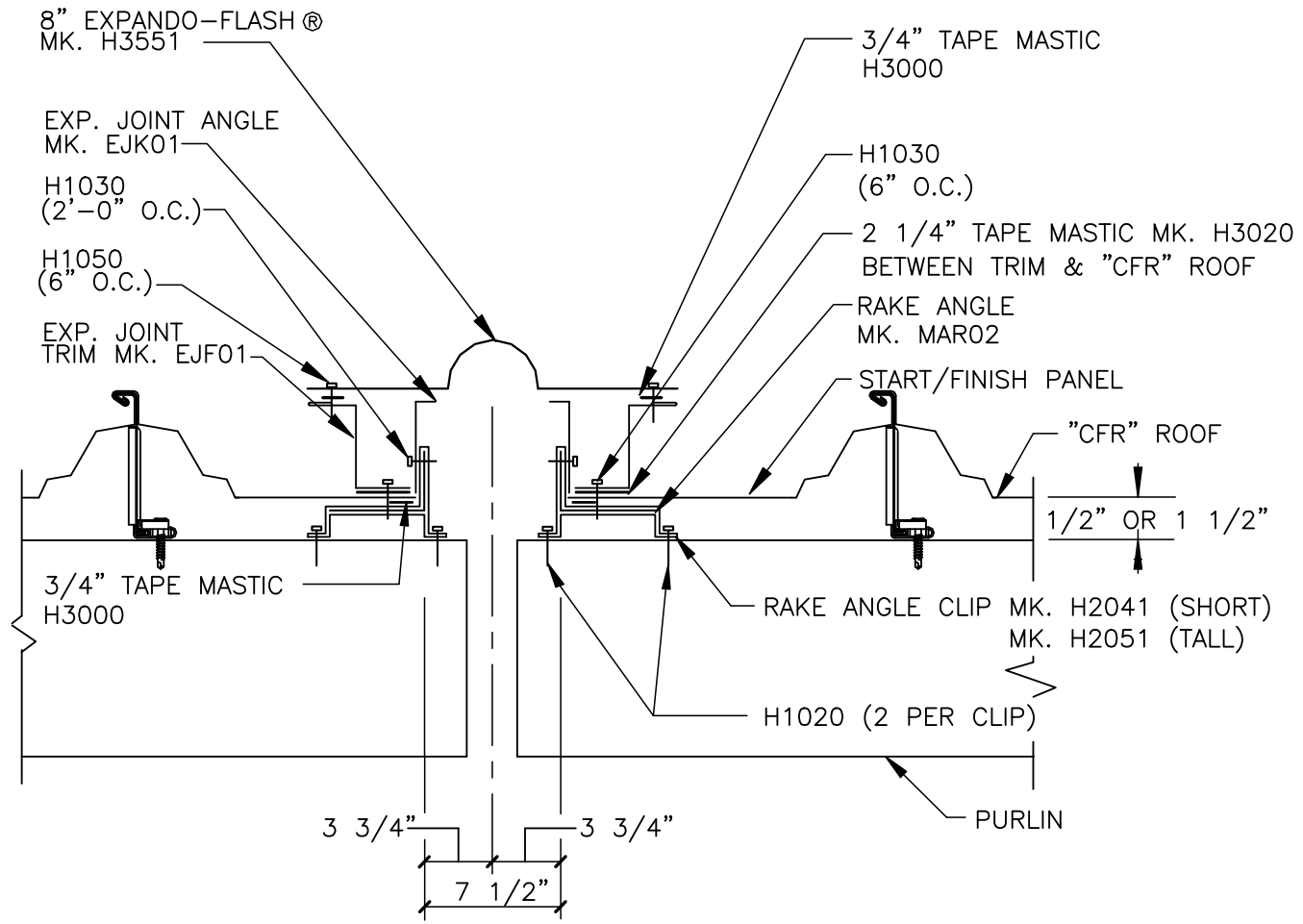
EJ1010 – NON-STRUCTURAL – PURLIN



EJ1010

| | | |
|--|---|--|
| LAST REVISION DATE: <u>02/09/01</u> BY: <u>CDM</u> CHK: <u>RJF</u> | DETAIL NAME IF APPLICABLE <p style="text-align: center;">EJ1010.DWG</p> | <p style="text-align: center;">4.7.22</p> |
|--|---|--|

EJ1020 – STRUCTURAL – PURLIN



EJ1020

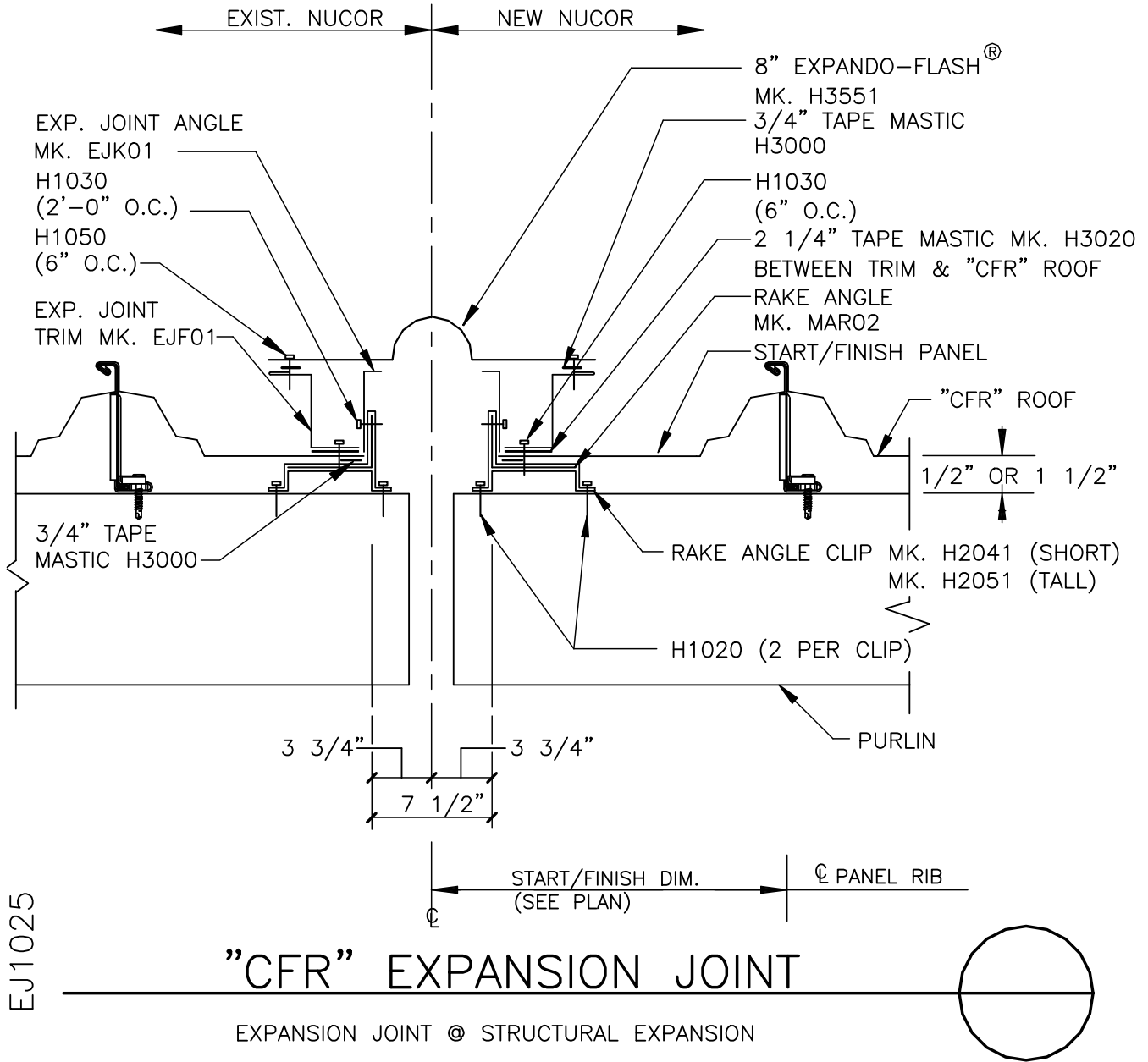
START/FINISH DIM. (SEE PLAN)
START/FINISH DIM. (SEE PLAN)
☉ PANEL RIB

"CFR" EXPANSION JOINT

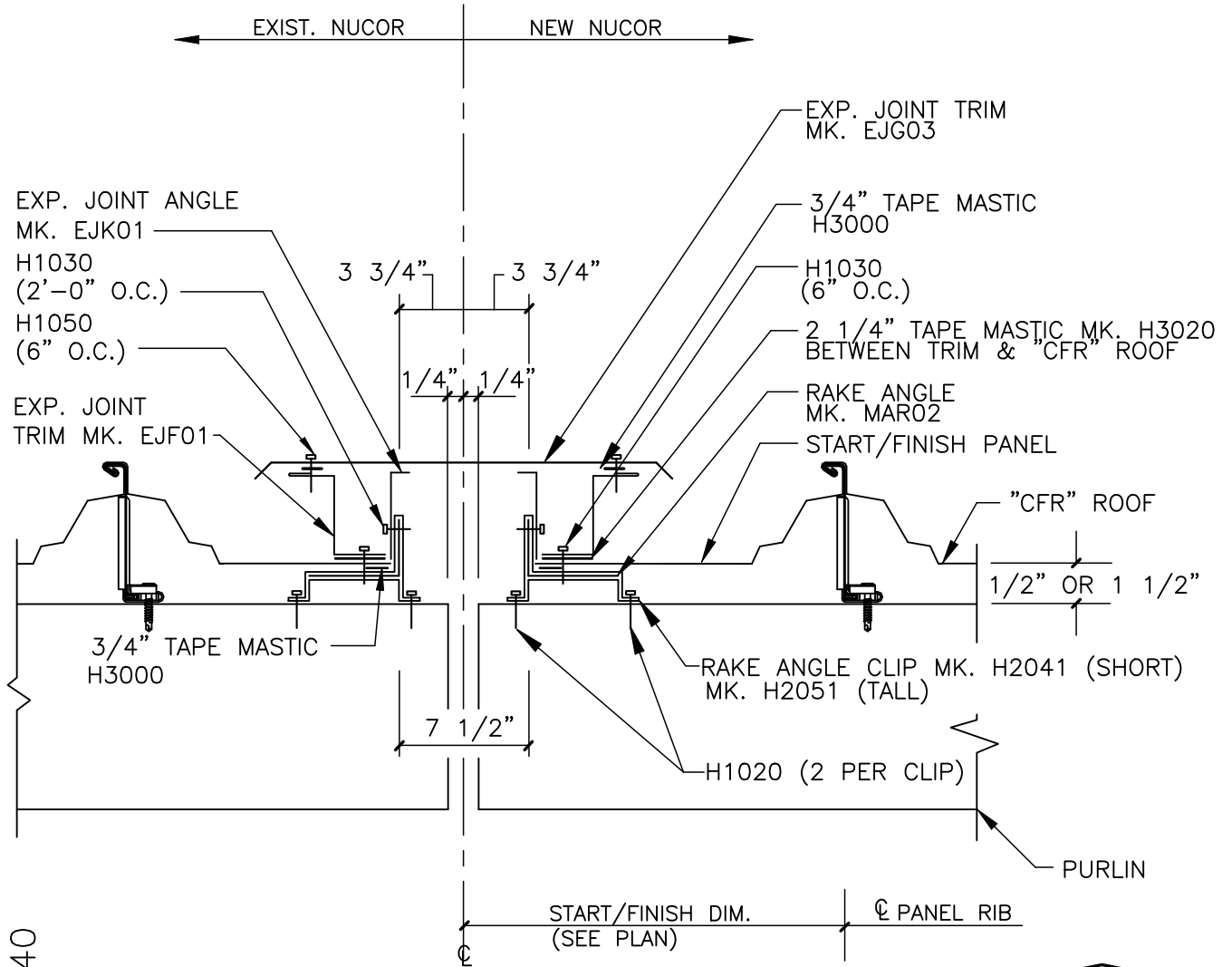
EXPANSION JOINT @ STRUCTURAL EXPANSION

| | | |
|--|--|---------------|
| LAST REVISION DATE: <u>02/09/01</u> BY: <u>CDM</u> CHK: <u>RJF</u> | <u>DETAIL NAME IF APPLICABLE</u> <b style="color: blue;">EJ1020.DWG | 4.7.23 |
|--|--|---------------|

EJ1025 – STRUCTURAL – PURLIN (NEW NUCOR TO EXIST. NUCOR)



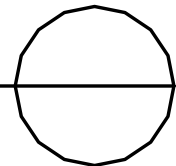
EJ1040 – CONSTRUCTION JOINT – PURLIN (NEW NUCOR TO EXIST. NUCOR)



EJ1040

"CFR" CONSTRUCTION JOINT

CONSTRUCTION JOINT @ EXIST. NUCOR BLDG.

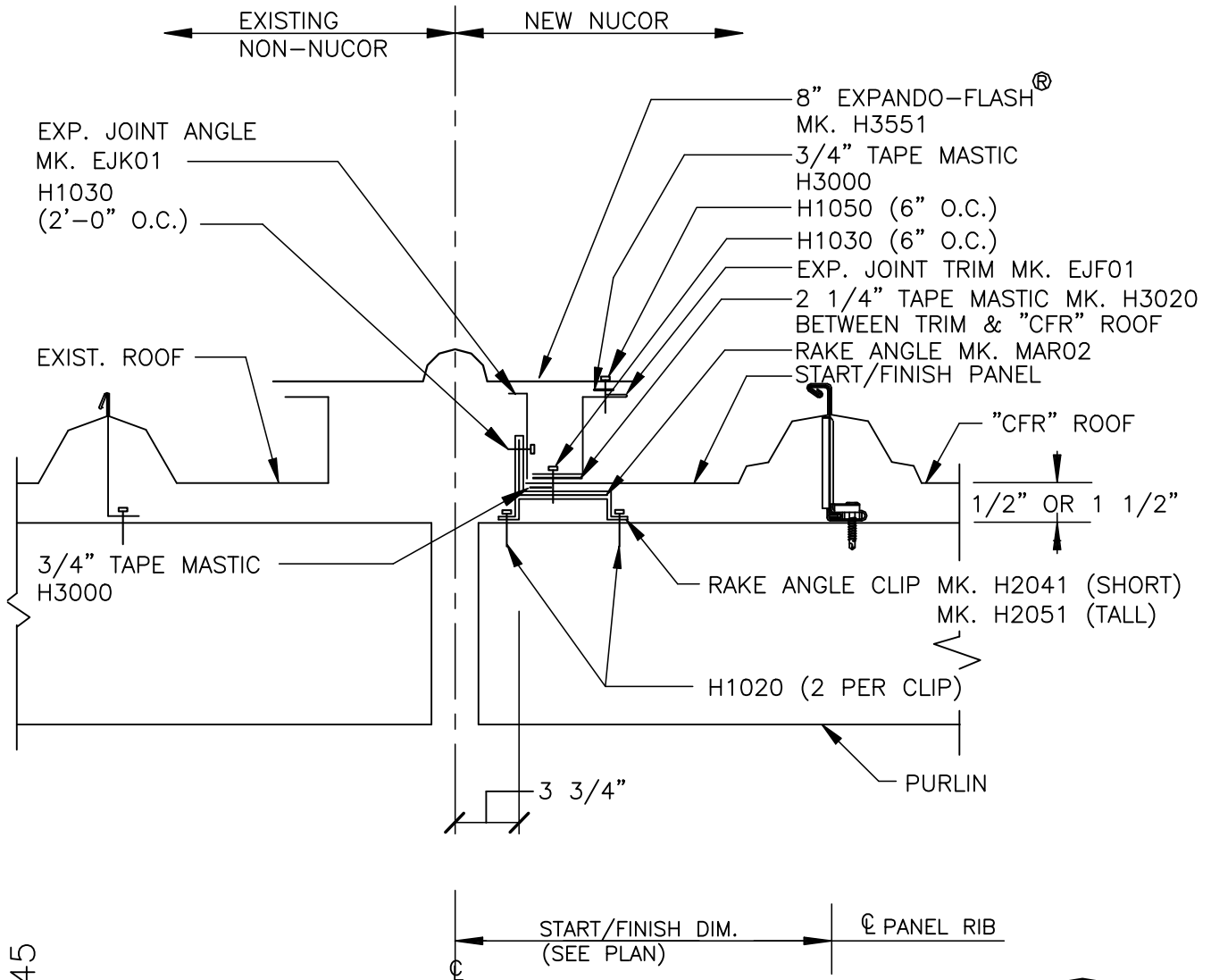


LAST REVISION
 DATE: 02/09/01
 BY: CDM CHK: RJF

DETAIL NAME IF APPLICABLE
EJ1040.DWG

4.7.25

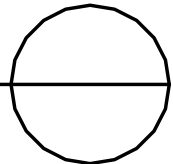
EJ1045 – CONSTRUCTION JOINT – PURLIN (NEW NUCOR TO EXIST. NON-NUCOR)



EJ1045

"CFR" CONSTRUCTION JOINT

CONSTRUCTION JOINT @ EXIST. NON-NUCOR ROOF



LAST REVISION
 DATE: 02/09/01
 BY: CDM CHK: RJF

DETAIL NAME IF APPLICABLE
EJ1045.DWG

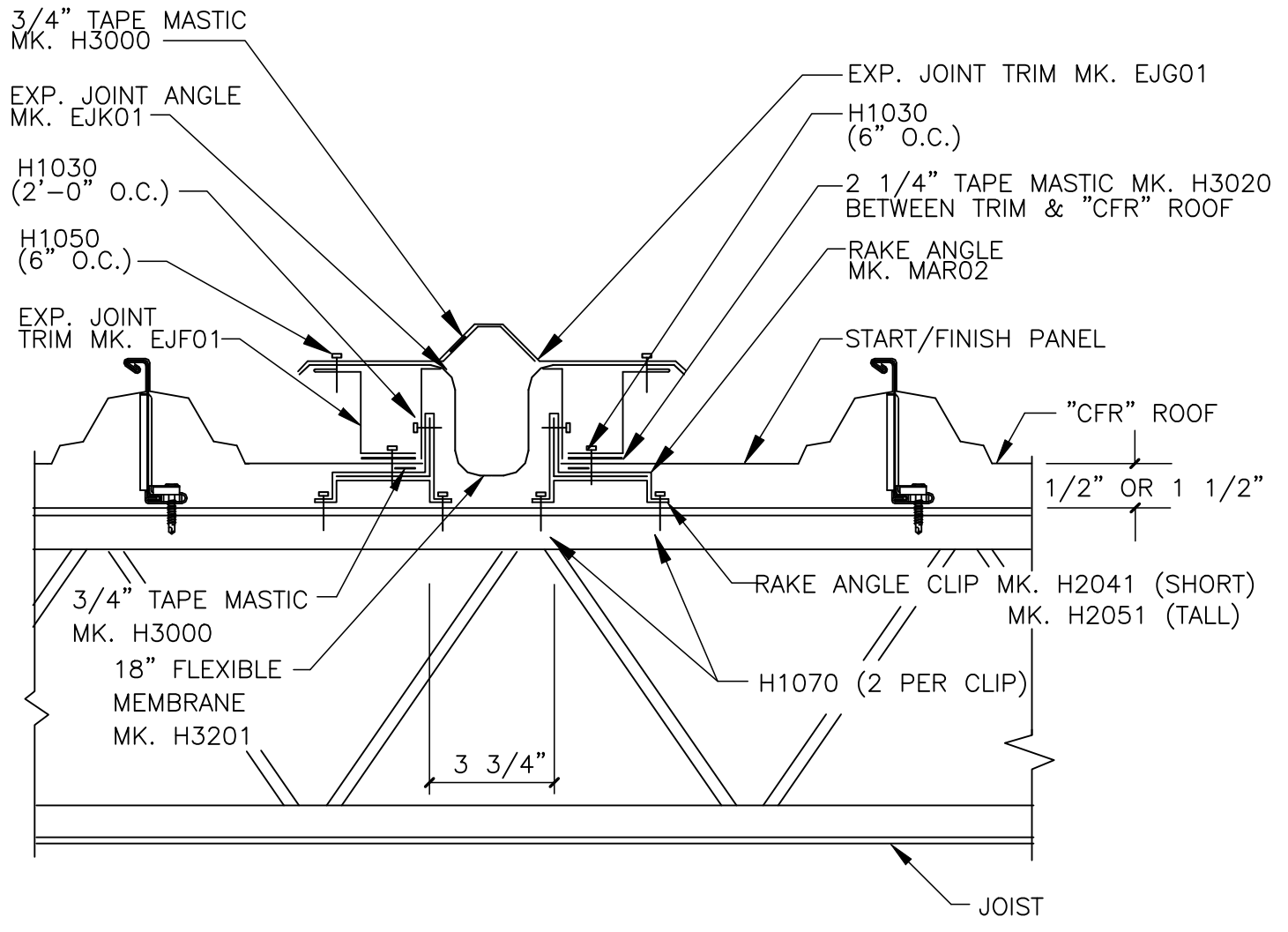
4.7.26



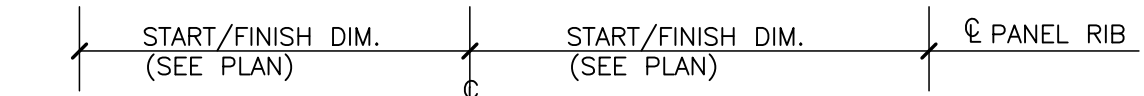
PRODUCT AND ENGINEERING MANUAL

4.7 EXISTING BUILDING TIE-IN DETAILS

EJ1050 – NON-STRUCTURAL – JOIST



EJ1050

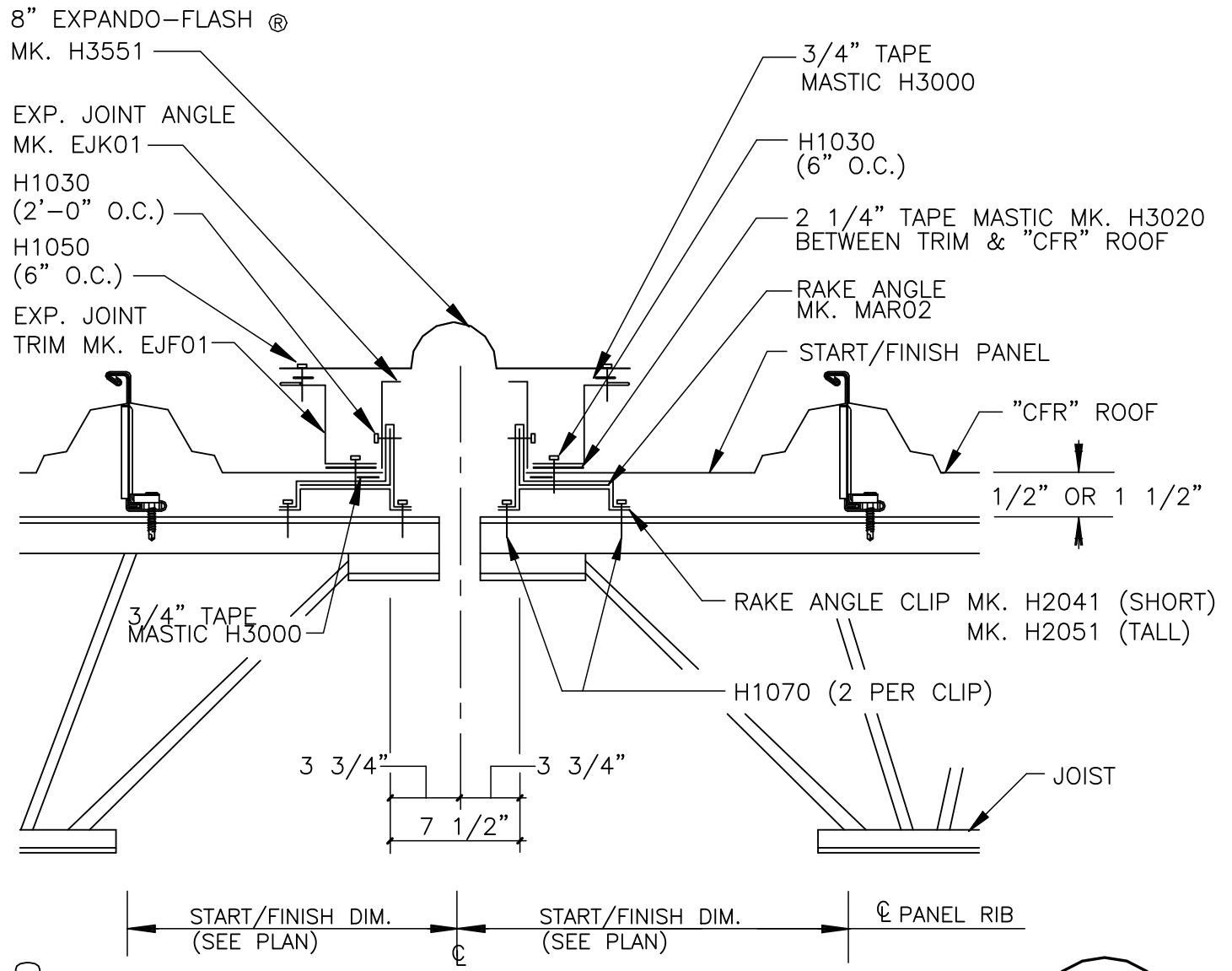


"CFR" EXPANSION JOINT

EXPANSION JOINT @ NONSTRUCTURAL EXPANSION

| | | |
|--|--|---------------|
| LAST REVISION DATE: <u>04/08/02</u> BY: <u>CDM</u> CHK: <u>RJF</u> | DETAIL NAME IF APPLICABLE EJ1050.DWG | 4.7.27 |
|--|--|---------------|

EJ1060 – STRUCTURAL – JOIST



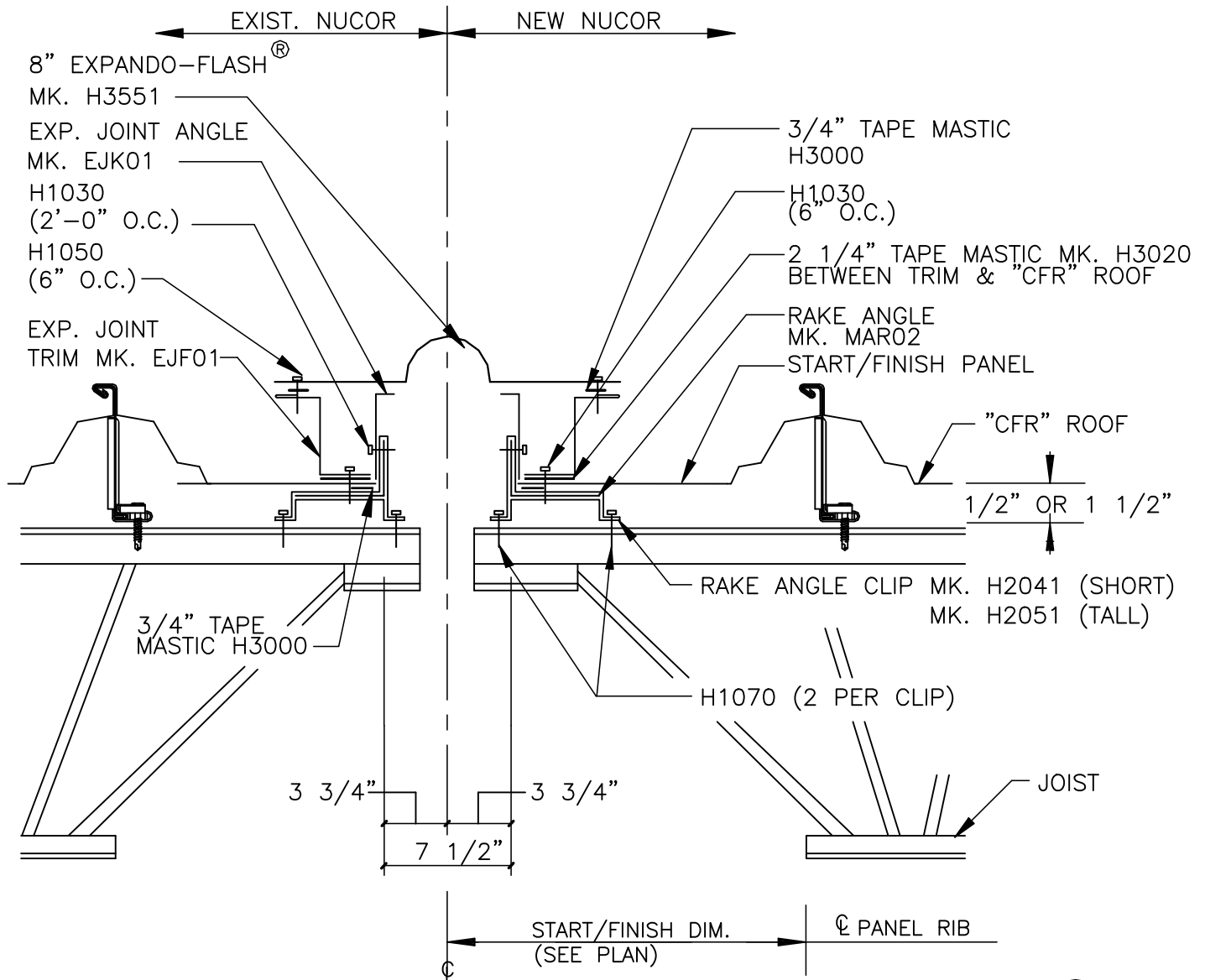
"CFR" EXPANSION JOINT

EXPANSION JOINT @ STRUCTURAL EXPANSION

EJ1060

| | | |
|--|--|---------------|
| LAST REVISION DATE: <u>04/08/02</u> BY: <u>CDM</u> CHK: <u>RJF</u> | DETAIL NAME IF APPLICABLE EJ1060.DWG | 4.7.28 |
|--|--|---------------|

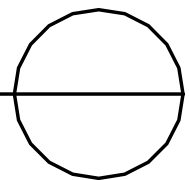
EJ1065 – STRUCTURAL – JOIST (NEW NUCOR TO EXIST. NUCOR)



EJ1065

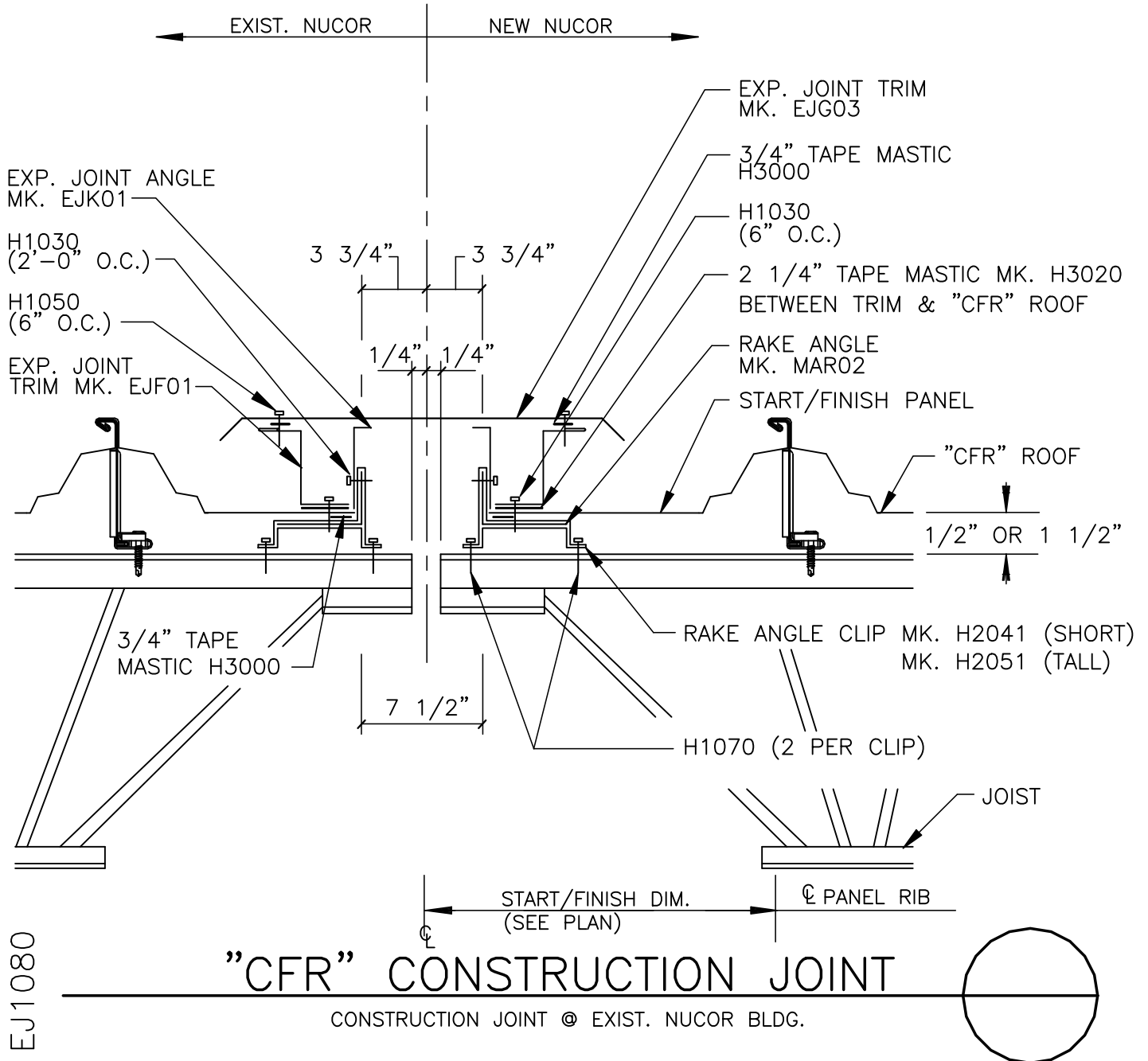
"CFR" EXPANSION JOINT

EXPANSION JOINT @ STRUCTURAL EXPANSION



| | | |
|---|--|---------------|
| LAST REVISION DATE: 04/08/02 BY: CDM CHK: RJF | DETAIL NAME IF APPLICABLE EJ1065.DWG | 4.7.29 |
|---|--|---------------|

EJ1080 – CONSTRUCTION JOINT – JOIST (NEW NUCOR TO EXIST. NUCOR)



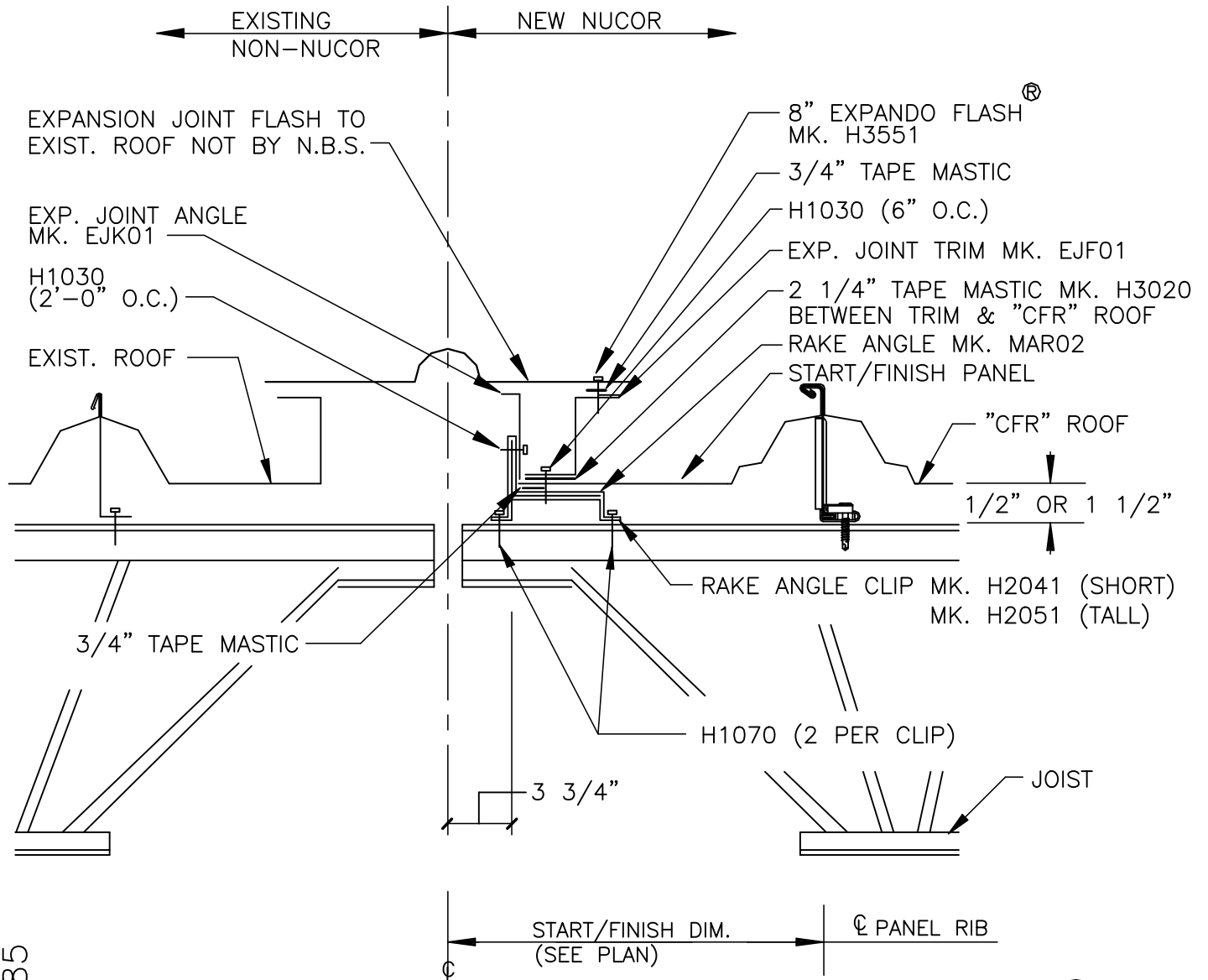
EJ1080

LAST REVISION
 DATE: 04/08/02
 BY: CDM CHK: RJF

DETAIL NAME IF APPLICABLE
EJ1080.DWG

4.7.30

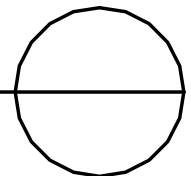
EJ1085 – CONSTRUCTION JOINT – JOIST (NEW NUCOR TO EXIST. NON-NUCOR)



EJ1085

"CFR" CONSTRUCTION JOINT

CONSTRUCTION JOINT @ EXIST. NON-NUCOR ROOF

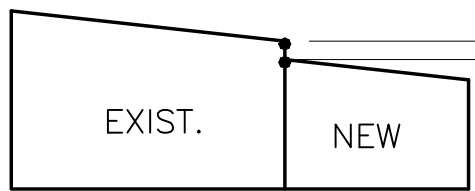
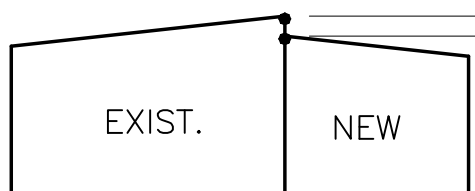
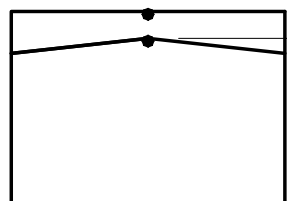
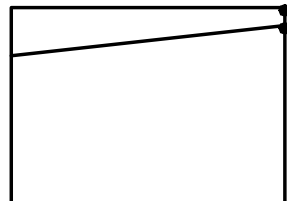
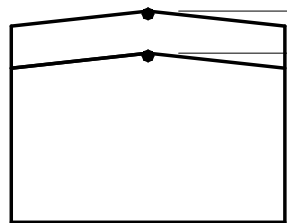


LAST REVISION
 DATE: 04/08/02
 BY: CDM CHK: RJF

DETAIL NAME IF APPLICABLE
EJ1085.DWG

4.7.31

BT0150PE – STANDARD DIMENSIONS FOR ROOF TIE-IN TO EXISTING BUILDINGS

| | | |
|--|--|--|
|  <p>EXIST. NEW</p> | <p>CFR</p> <hr/> <p>1'-3" MIN.</p> | <p>CLASSIC</p> <hr/> <p>1'-1" MIN.</p> |
|  <p>EXIST. NEW</p> | <p>CFR</p> <hr/> <p>1'-10" MIN.</p> | <p>CLASSIC</p> <hr/> <p>1'-1"</p> |
|  | <p>CFR</p> <hr/> <p>1'-6" MIN.</p> | <p>CLASSIC</p> <hr/> <p>10" MIN.</p> |
|  | <p>CFR</p> <hr/> <p>10" MIN.</p> | <p>CLASSIC</p> <hr/> <p>10" MIN.</p> |
|  | <p>CFR</p> <hr/> <p>* 1'-0" MIN. ** 2'-3" MIN.</p> | <p>CLASSIC</p> <hr/> <p>1'-1" MIN.</p> |

* WILL REQUIRE SUBSTANTIAL FIELD WORK
 ** STANDARD PARTS WILL WORK